



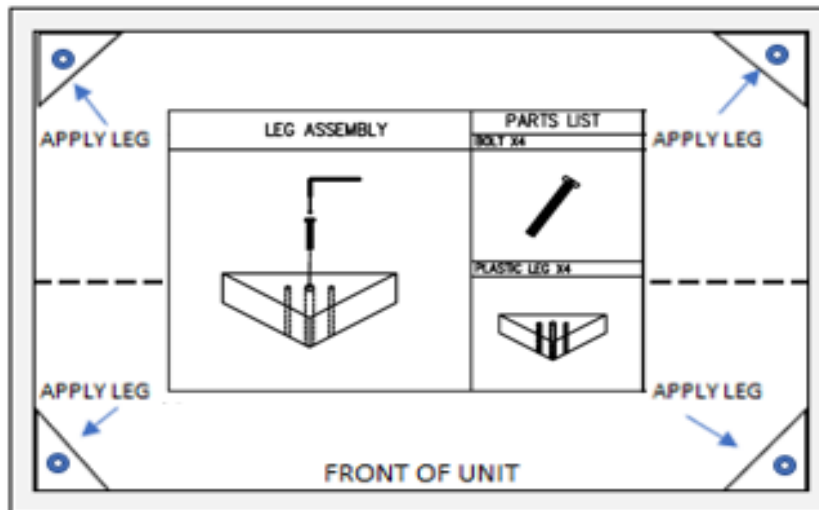
Assembly Instructions

935-32 OTTOMAN

Manufactured by ALBI for Rooms To Go

SKU # 12809351

Hardware	Size	Thread	Qty
ALLEN BOLTS WITH WASHERS	1/4"W X 2"L	3/4	4
WOOD LEGS	7-1/8"L x 7-1/8"W x 2-1/4"H		4
ALLEN WRENCH	1/8"		1



The legs should be evenly aligned on each bottom corner of the unit. Place and allen bolt in the center hole of the leg and align with the threaded insert. Using the wrench, turn the bolt clockwise, until fully seated.

Assembly Tools included - Allen wrench

Hardware Pack Location Hardware can be located in the zippered compartment on the bottom of the unit.

Unit Type OTTOMAN **SKU(s)#** 12809351

Version # 1

Date: 6/21/2024

Page 1