



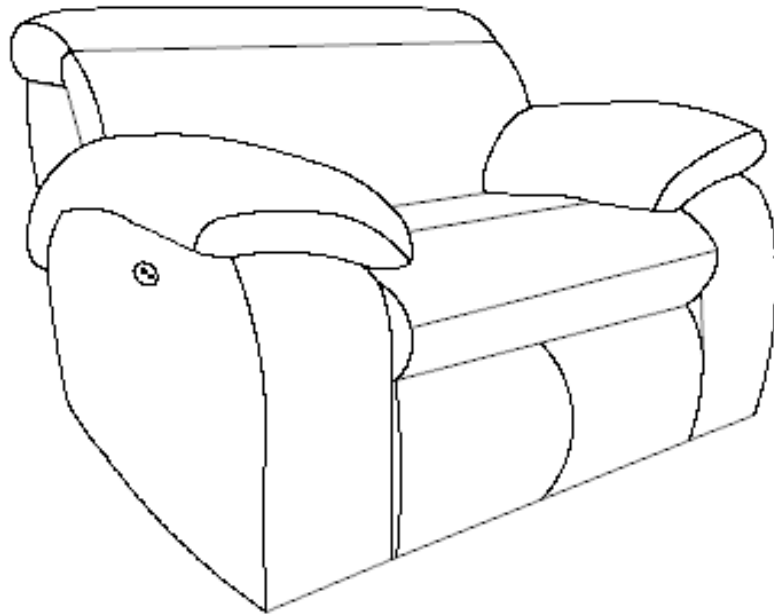
HELO

PX3002-01P1 POWER RECLINER W/POWER SEAT W/USB/DC POWER

SKU:13730040

SKU:13730052

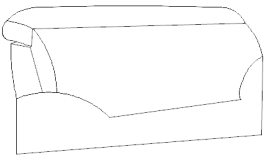
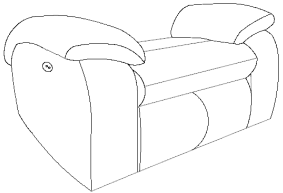
Manufactured for Rooms To Go

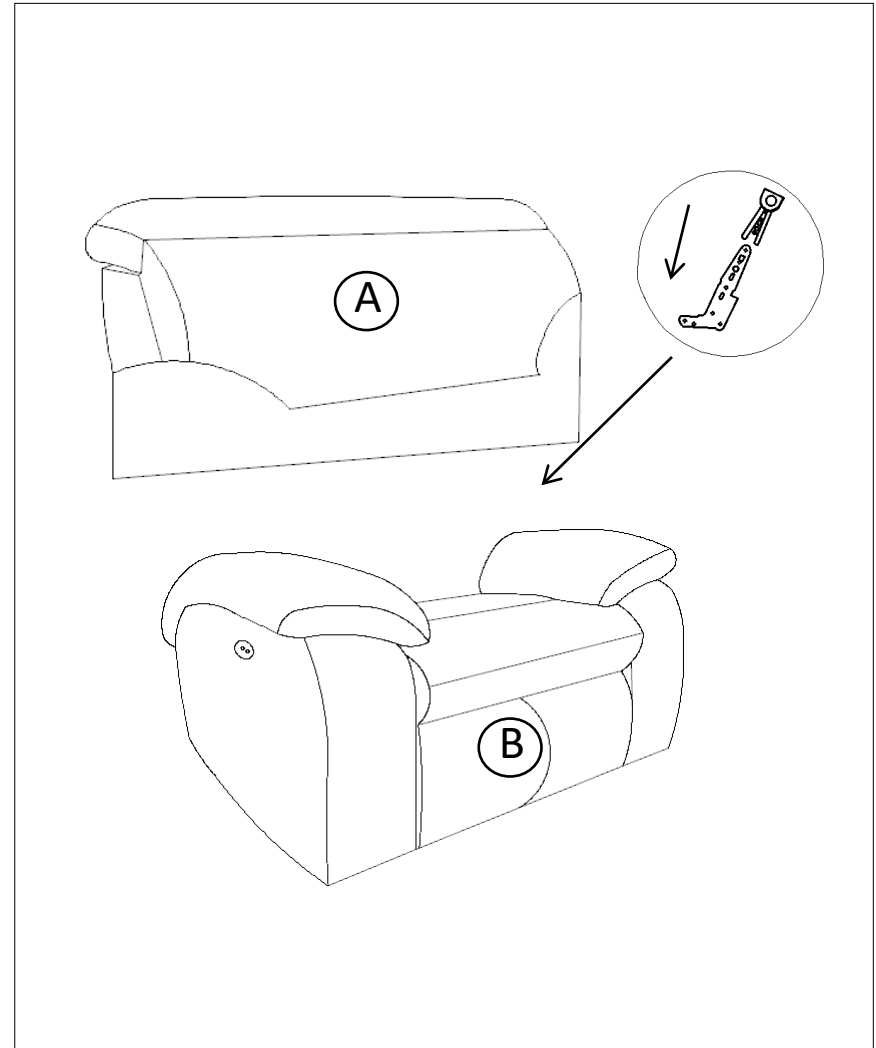


LIST OF PARTS

TOOLS REQUIRED:NO TOOLS REQUIRED

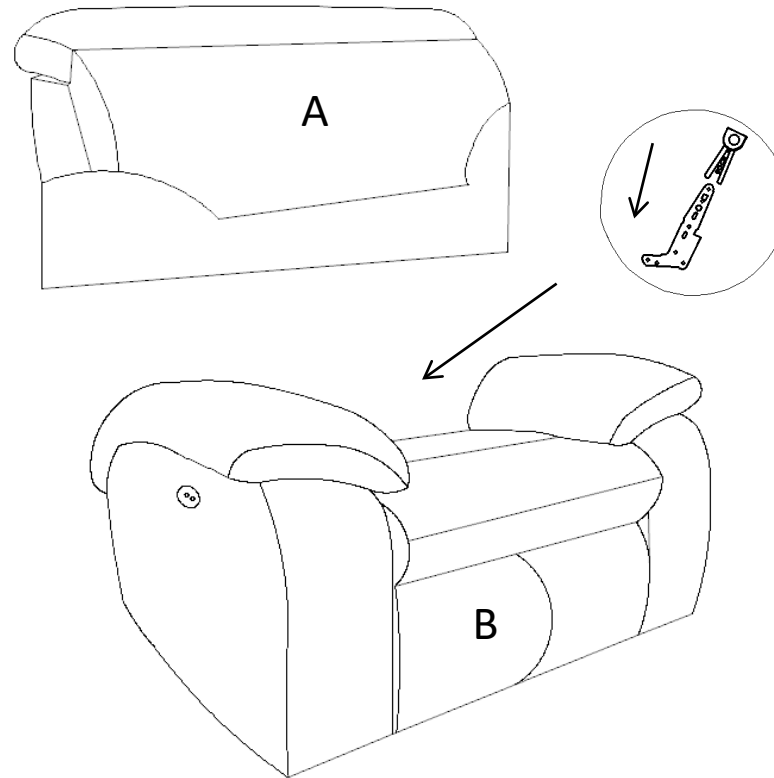
PART LIST

NO	Description	Item	Quantity
A	Backrest		1
B	Seat		1



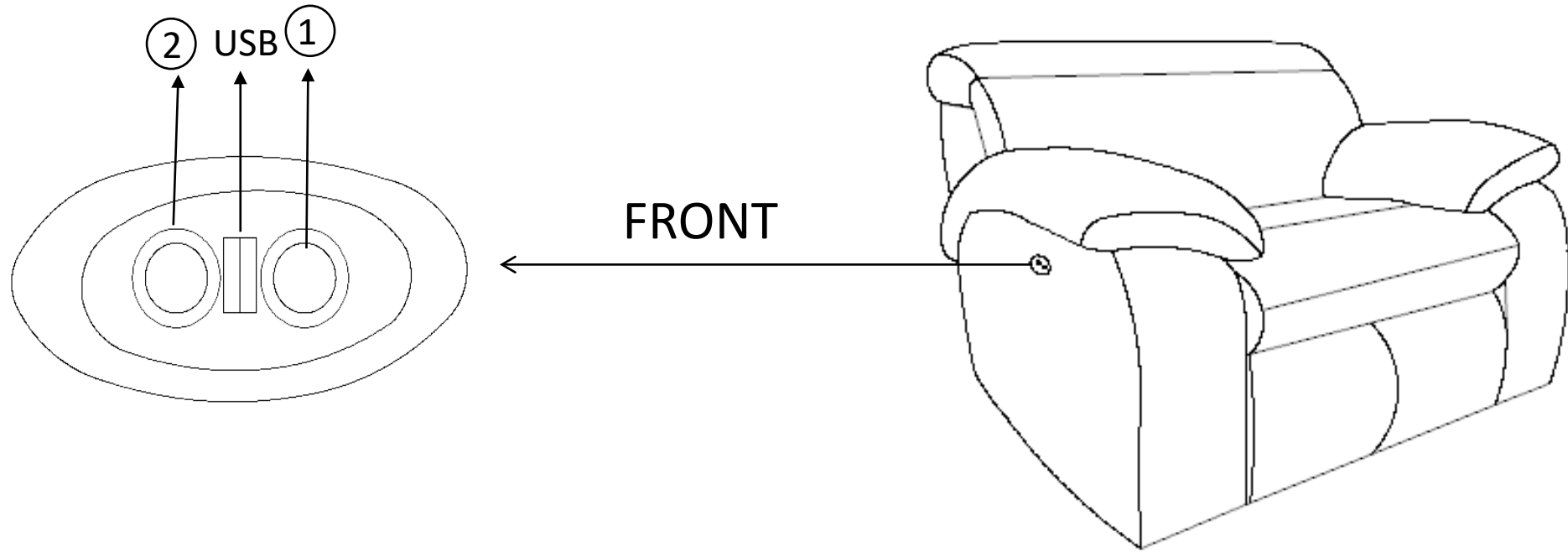
ASSEMBLY INSTRUCTIONS

STEP: 1 Position the KD receivers of the back (A) over the mechanism post on the recliner body (B). Check to assure both sides of the mechanism post are positioned inside of the KD receivers on the back frame, pushing in a downward motion from the top of the back frame until a clicking sound is heard.



POWER CONNECTIONS

STEP:2

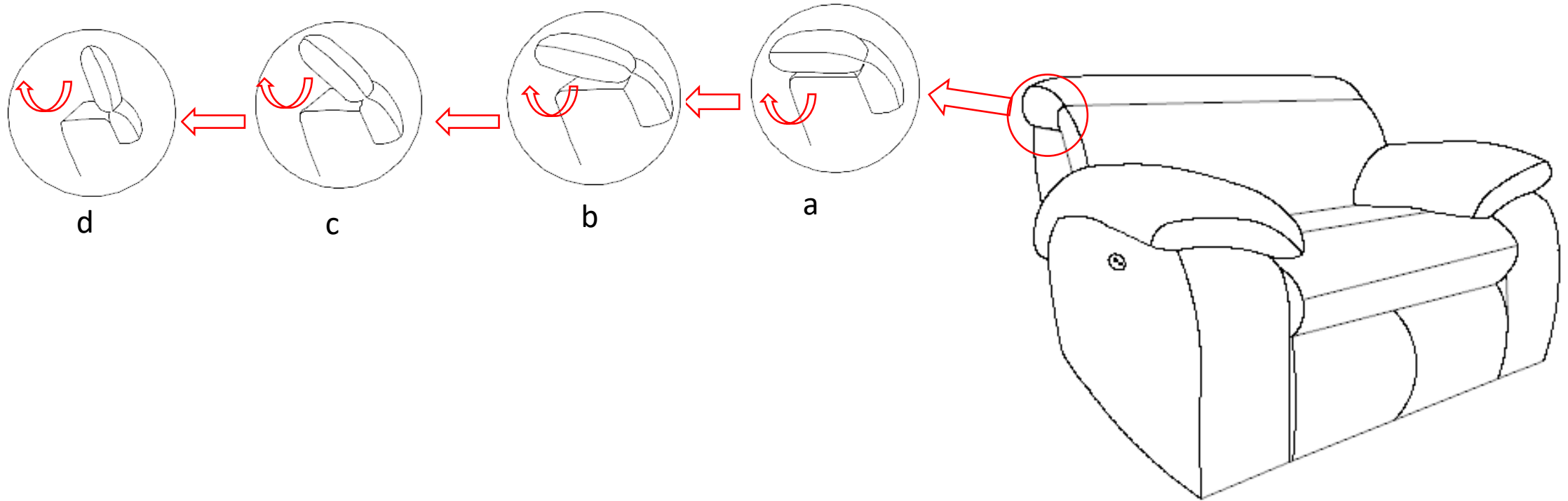


1.Press button **1** to recline the chair to desired position.

2.Press button **2** to raise the chair ro the upright position.

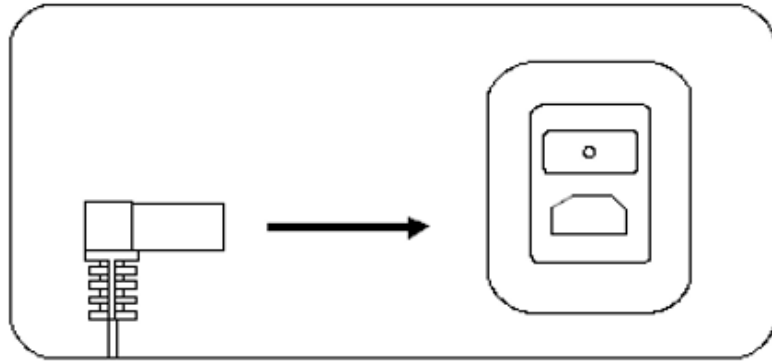
POWER CONNECTIONS

Adjust the angle upward to a/b/c/d position, as shown, enjoy different angle as you want.

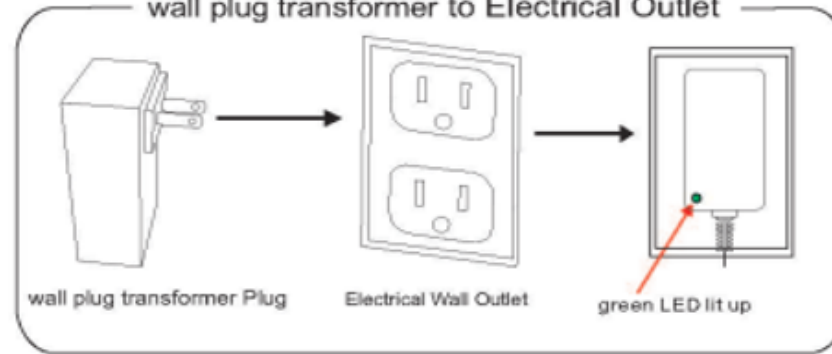


POWER CONNECTIONS

Step 6 Connect wall plug transformer to the LED DC adaptor



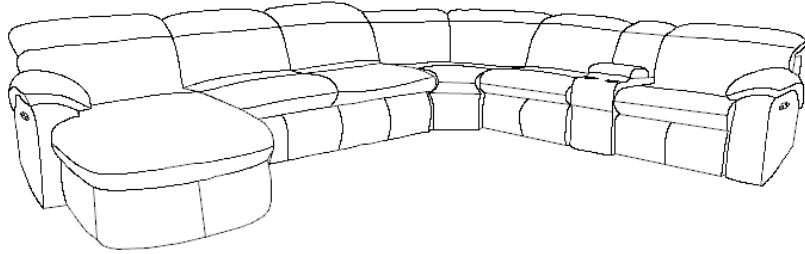
STEP 7: Connect wall plug transformer from Left Arm Seat to outlet.
wall plug transformer to Electrical Outlet



WARNINGS

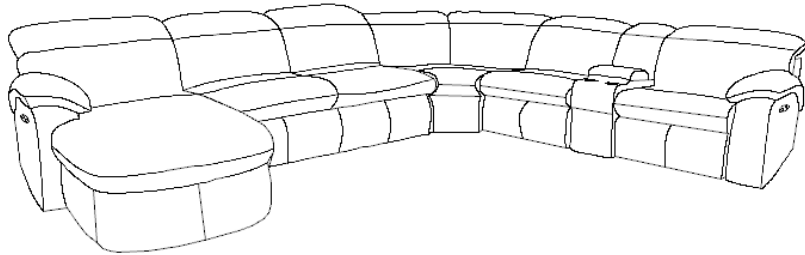
*Keep unit at least 24" from all heat sources.

*Avoid placing unit in areas where unit can be exposed to direct sunlight other powerful light sources, as fading or discoloration may occur.



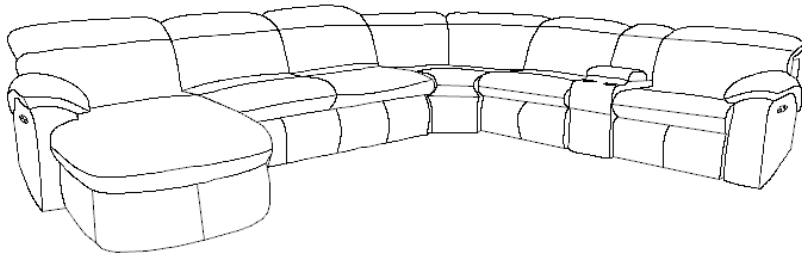
*Do not reach under seat when mechanism is operating or serious injury may occur.

*Reclining mechanism should only be operated while seated properly.



*Do not sit on arms or backrest.

*Do not jump or roughhouse on furniture



Maintain minimum of 6" space between the furniture backs and wall.



The electrical warning label page/product instruction sheet outlined below should be included in the instruction manual. Two pages should be printed, one in English & one in Spanish.

ENGLISH

IMPORTANT SAFETY INSTRUCTIONS



WARNING

Misuse can result in FIRE or DEATH by ELECTRICAL SHOCK

Read all instructions before using this furnishing.

DANGER – To reduce the risk of electric shock:

- Always unplug this furnishing from the electrical outlet before cleaning or servicing.

WARNING – To reduce the risk of burns, fire, electric shock, or injury to persons:

- Unplug from outlet before putting on or taking off parts.
- Never operate this furnishing if it has a damaged electrical cord or plug, if it is not working properly, or if the electrical cord or plug has been damaged or dropped into water. Stop using this furnishing and call a service center for examination and repair.
- Keep the electrical cord and plug away from heated surfaces and other heat sources.
- To disconnect, turn all controls to the off position, then remove plug from outlet.
- When operating, ensure that electrical cord is not under the base, legs, or motion mechanism to avoid damage to electrical cord or plug.
- Do not strain or stretch electrical cord.
- Do not use extension cords or power strips.
- Keep out of reach of children. This is not a toy.

Page "x"

SPANISH

INSTRUCCIONES DE SEGURIDAD IMPORANTES



WARNING

El mal uso puede provocar INCENDIO o MUERTE por DESCARGA ELÉCTRICA

Leer todas las instrucciones antes de usar este mobiliario.

PELIGRO – Para reducir el riesgo de descarga eléctrica:

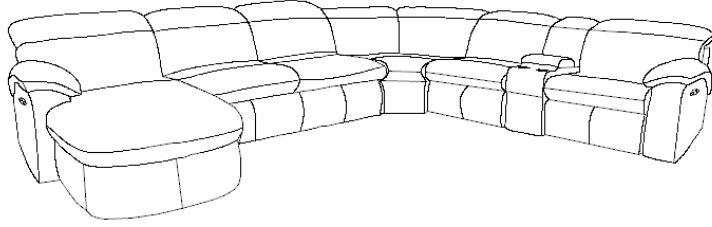
- Siempre desenchufe este accesorio de la toma de corriente eléctrica antes de limpiarlo o repararlo.

ADVERTENCIA: para reducir el riesgo de quemaduras, incendios, descargas eléctricas o lesiones a personas:

- Desenchufe del tomacorriente antes de colocar o quitar partes.
- Nunca opere este accesorio si tiene un cable o enchufe eléctrico dañado, si no funciona correctamente, o si el cable o el enchufe eléctrico se ha dañado o se ha caído al agua. Deje de usar este equipamiento y llame a un centro de servicio para que lo examinen y lo reparen.
- Mantenga el cable eléctrico y el enchufe lejos de superficies calientes y otras fuentes de calor.
- Para desconectar, gire todos los controles a la posición de apagado, luego retire el enchufe del tomacorriente.
- Al operar, asegúrese de que el cable eléctrico no esté debajo de la base, las patas o el mecanismo de movimiento para evitar dañar el cable eléctrico o el enchufe.
- No fuerce ni estire el cable eléctrico.
- No utilizar cables de extensión o tomas de corriente.
- Mantener fuera del alcance de los niños. Esto no es un juguete

Page "x"

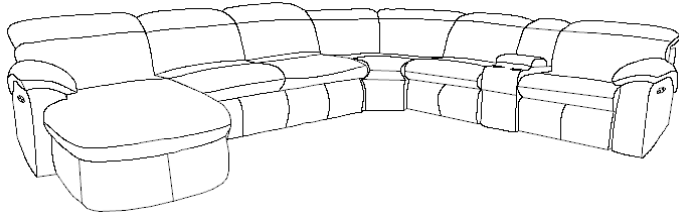
*If unit must be moved. do not draa. Unit must be lifted in order to be moved



*Do not continuously operate mechanism for more than one minute or unit may go into protection mode by shutting down to prevent overheating.

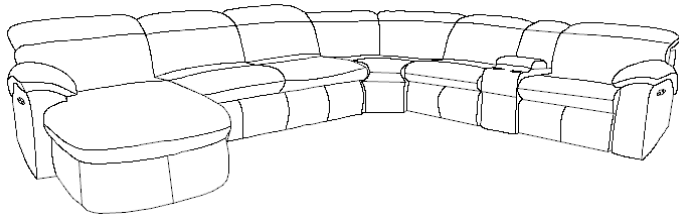
*Unplug unit from power source prior to cleaning mechanism.

*Do not allow electrical components to come into contact with any liquids.



CARE AND CLEANING

*Upholstered furniture is packaged tightly to protect it during transit. This packaging can sometimes cause creases or misshaped cushions when the furniture comes out of the packaging. These issues will correct themselves over time as the fibers of the cushions are exposed to air. However, shaping the cushions with your hands can alleviate the creases and compressed fibers more quickly.



*Dust often and use a vacuum cleaner to remove debris from seams and crevasses.

*Use a soft damp cloth to gently clean soiled areas and wipe clean. Do not rub.

*Do not use household cleaners or solvents. Such cleaners may cause damage and/or discoloration.

*Do regularly use dedicated leather care product onto the leather furniture to prevent built up of body oils.

TROUBLESHOOTING

PROBLEM	SOLUTION
Not Reclining	Ensure that wall power outlet in operation Step 3,4
USB not working	Check all the connections Step 3,4
Backrests gaps	Ensure the backrests are properly clipped into the male posts located on seat mechanism. (step 1) Check that brackets are not loose , positioned improperly or bent