







# ASSEMBLY INSTRUCTIONS

## HLLC 81022-50HP DUAL POWER RECLINER

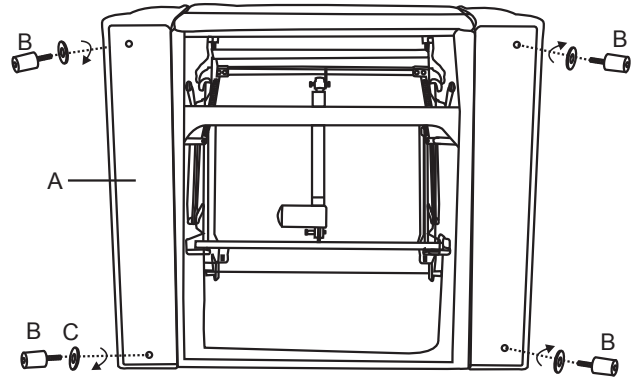
Thank you for purchasing this quality product. Be sure to check all packing material carefully for small parts that may have come loose inside the carton during shipment.

TOOLS REQUIRED : NO TOOLS REQUIRED			
PART LIST			DUAL POWER RECLINER ( POWER HEAD )
A	LAF/RAF POWER RECLINER		1
B	PLASTIC LEGS		4
C	PLASTIC WASHER		4
D	POWER CABLE		1

### Step 1: Attaching the four legs

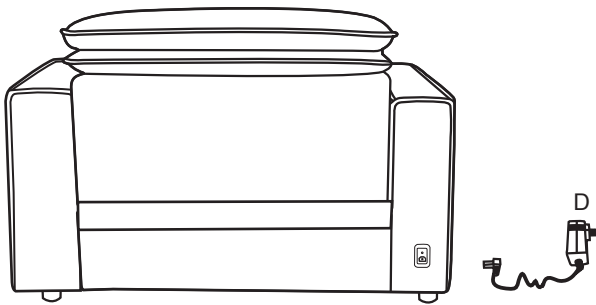
Attention : The Legs, Washers and Power cable are packed together in the box, it is shown by red ribbon.

\* Check that the screw holes under the seat are aligned. Firstly put the Washer, then turn the foot screw until it is tightened. As shown in the below picture



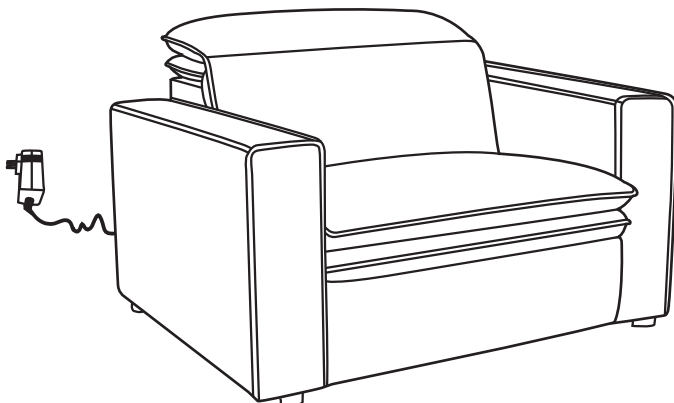
### Step 2: Connecting the power cable

Connect the power cable to the power outlet behind the sofa. As shown in the picture.

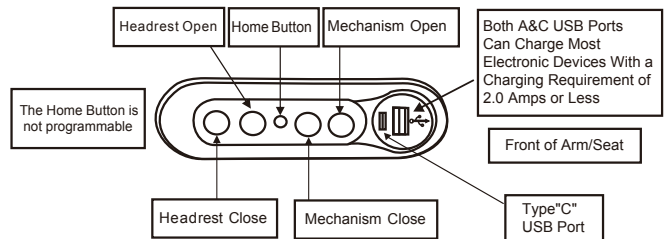


### Step 3:

After assembly is complete your product should look as seen below.



Do Not Plug the power source into a power outlet until your product is completely assembled and positioned where you intend to use it



Caution: Read the operating instructions supplied with your product carefully before using.  
Do not allow children to play on or operate this power mechanized equipment.