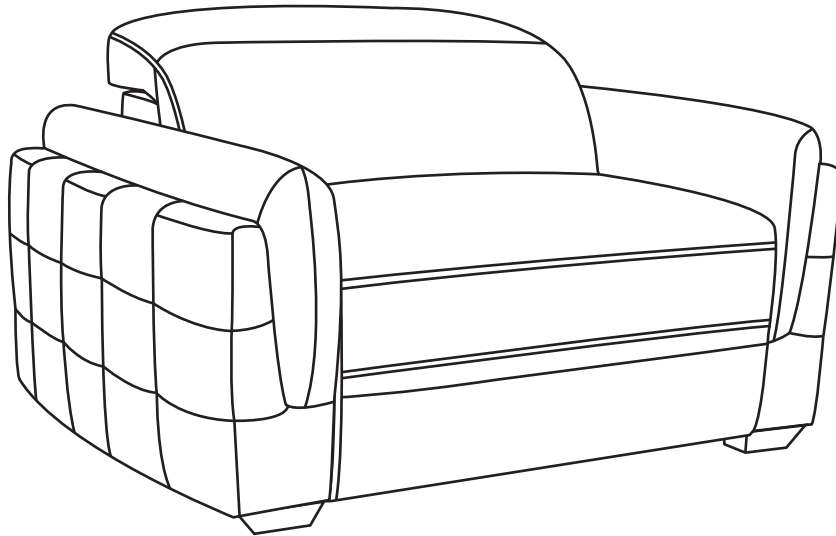






ASSEMBLY INSTRUCTIONS

HLLC 9064-50HP DUAL POWER RECLINER

SKU:13990646

Thank you for purchasing this quality product. Be sure to check all packing material carefully for small parts that may have come loose inside the carton during shipment.

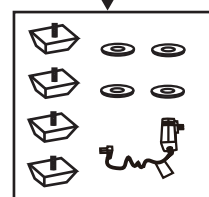
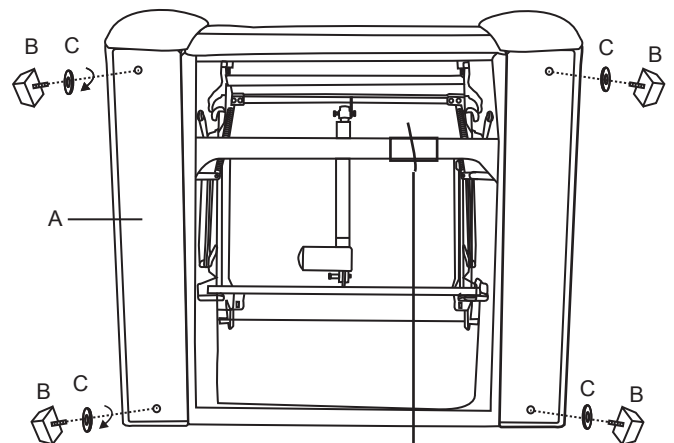


TOOLS REQUIRED : NO TOOLS REQUIRED			
PART LIST			DUAL POWER RECLINER
A	DUAL POWER RECLINER		1
B	PLASTIC LEG 1		4
C	PLASTIC WASHER		4
D	WALL PLUG TRANSFORMER		1

Step 1: Attaching the four legs

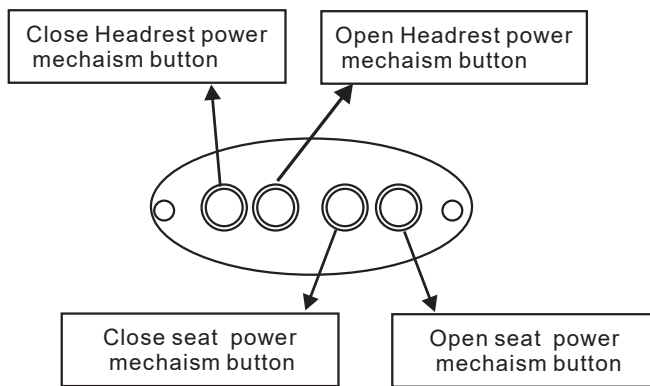
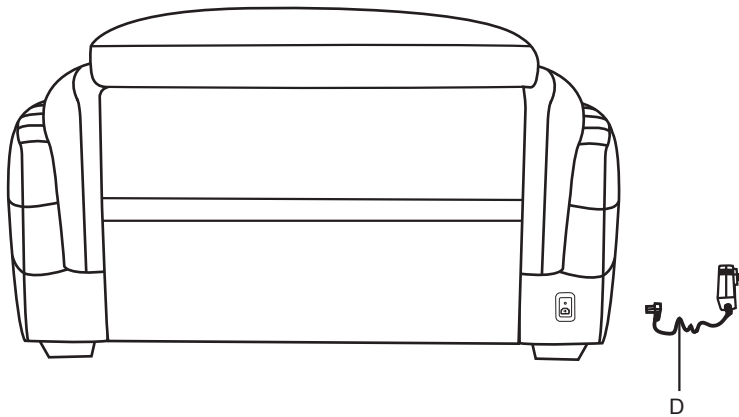
Attention : The Legs, Washers and wall plug transformer are packed together in the box, it is shown by red ribbon.

* Check that the screw holes under the seat are aligned, Firstly put the Washer, then turn the foot screw until it is tightened. As shown in the below picture



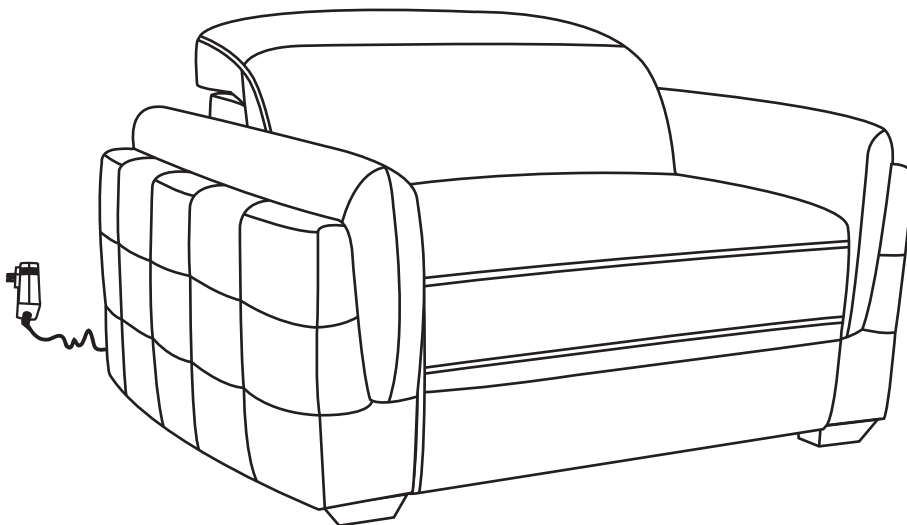
Step 2: Connecting the Wall Plug Transformer

Attach the matching end of the wall plug transformer power cable to the power inlet located at the rear of each LAF dual power recliner as seen below



After assembly is complete your product should look as seen below.

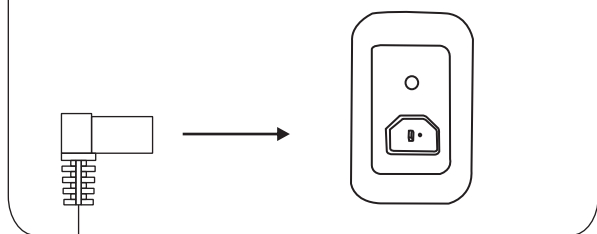
Do Not Plug the power source into a power outlet until your product is completely assembled and position where you intend to use it



POWER CONNECTIONS

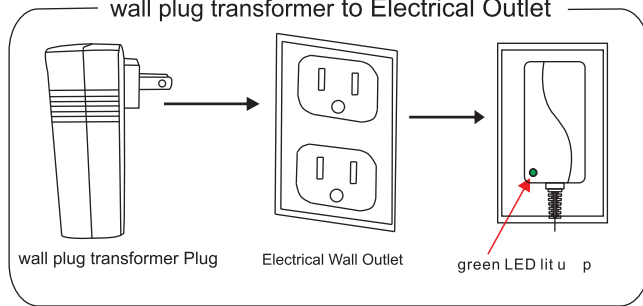
STEP5: Connect wall plug transformer to DC socket

wall plug transformer to DC socket



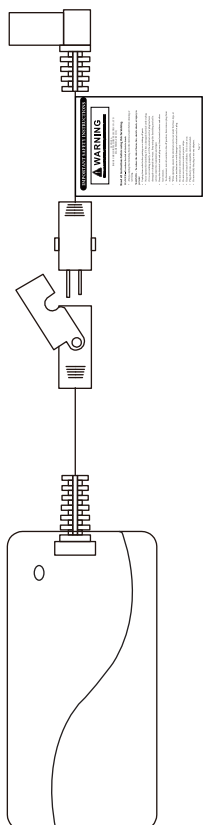
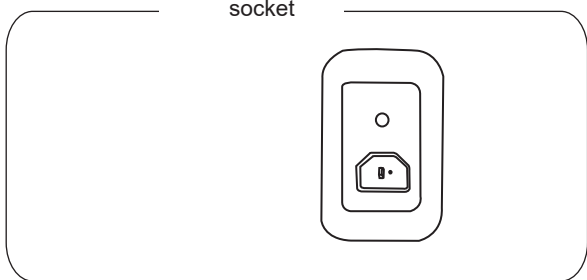
STEP6: Connect wall plug transformer to outlet.

wall plug transformer to Electrical Outlet



STEP7: After all connections have been made, ensure that LED lit up

socket



ENGLISH

IMPORTANT SAFETY INSTRUCTIONS

WARNING

Misuse can result in FIRE or DEATH by ELECTRICAL SHOCK

29 VDC/2A
JIANGSU MULIN INTELLIGECE ELECTRIC CO., LTD
ML-H290020A-C-04C(12)

Read all instructions before using this furnishing.

DANGER – To reduce the risk of electric shock:

- Always unplug this furnishing from the electrical outlet before cleaning or servicing.

WARNING – To reduce the risk of burns, fire, electric shock, or injury to persons:

- Unplug from outlet before putting on or taking off parts.
- Never operate this furnishing if it has a damaged electrical cord or plug, if it is not working properly, or if the electrical cord or plug has been damaged or dropped into water. Stop using this furnishing and call a service center for examination and repair.
- Keep the electrical cord and plug away from heated surfaces and other heat sources.
- To disconnect, turn all controls to the off position, then remove plug from outlet.
- When operating, ensure that electrical cord is not under the base, legs, or motion mechanism to avoid damage to electrical cord or plug.
- Do not strain or stretch electrical cord.
- Do not use extension cords or power strips.
- Keep out of reach of children. This is not a toy.
- Plug directly into a compatible electrical socket.
- Do not modify the plug or use any adapters.

SPANISH

INSTRUCCIONES DE SEGURIDAD IMPORTANTES

WARNING

El mal uso puede provocar INCENDIO o MUERTE por DESCARGA ELÉCTRICA

29 VDC/2A
JIANGSU MULIN INTELLIGECE ELECTRIC CO., LTD
ML-H290020A-C-04C(12)

Leer todas las instrucciones antes de usar este mobiliario.

PELIGRO – Para reducir el riesgo de descarga eléctrica:

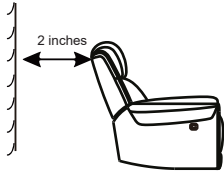
- Siempre desenchufe este accesorio de la toma de corriente eléctrica antes de limpiarlo o repararlo.

ADVERTENCIA: para reducir el riesgo de quemaduras, incendios, descargas eléctricas o lesiones a personas:

- Desenchufe del tomacorriente antes de colocar o quitar partes.
- Nunca opere este accesorio si tiene un cable o enchufe eléctrico dañado, si no funciona correctamente, o si el cable o el enchufe eléctrico se ha dañado o se ha caído al agua. Deje de usar este equipamiento y llame a un centro de servicio para que lo examinen y lo reparen.
- Mantenga el cable eléctrico y el enchufe lejos de superficies calientes y otras fuentes de calor.
- Para desconectar, gire todos los controles a la posición de apagado, luego retire el enchufe del tomacorriente.
- Al operar, asegúrese de que el cable eléctrico no esté debajo de la base, las patas o el mecanismo de movimiento para evitar dañar el cable eléctrico o el enchufe.
- No fuerce ni estire el cable eléctrico.
- No utilice cables de extensión o tomas de corriente.
- Mantener fuera del alcance de los niños. Esto no es un juguete.
- Enchúfelo directamente a una toma de corriente compatible.
- No modifique el enchufe ni utilice adaptadores.

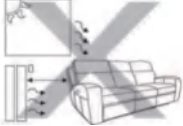
WARNINGS

*Clearance to the wall 2 inches



*Avoid placing unit in areas where unit can be exposed to direct sunlight other powerful light sources,
*Keep unit at least 24" from all heat sources.

as fading or discoloration may occur.



*Do not reach under seat when mechanism is operating or serious injury may occur.
*Reclining mechanism should only be operated while seated properly.



Do not sit on arms or backrest
Do not jump or roughhouse on furniture



*If unit must be moved, do not drag. Unit must be lifted in order to be moved.



*Do not continuously operate mechanism for more than one minute or unit may go into protection mode by shutting down to prevent overheating.

*Unplug unit from power source prior to cleaning mechanism.

*Do not allow electrical components to come into contact with any liquids.