



# Assembly Instructions

SKU #

CHAT CA43








DC Sofa

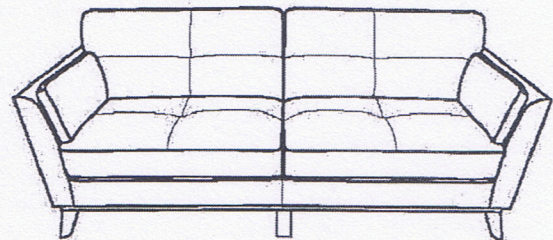
14100476

14100488

14100464

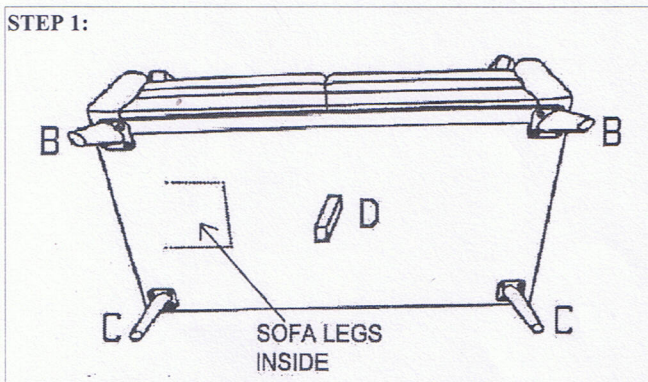
14100438

Code	Hardware	QTY
-	Allen key 	1 pc
B	Short leg 	2 pc
B	Bolt 4 x 2,5" 	6 pc
C	High leg 4 x 2" 	2 pc
C	Bolt 4 x 2" 	6 pc
D	Central leg 	1 pc
D	Washer 	1 pc



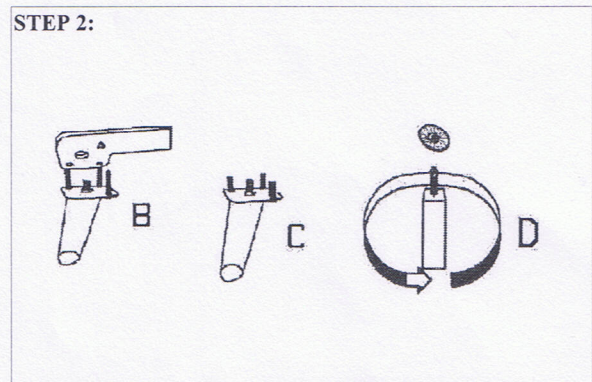
\*\*\* Caution: Please read all the instructions carefully before starting the assembly process. These parts are cumbersome and heavy. Therefore, two people are recommended in order to prevent personal injury and insure the parts are not damaged during the assembly.

### STEP 1:



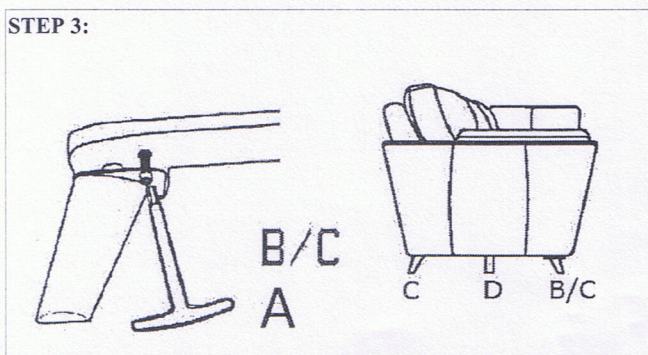
Open the zipper and take the legs out

### STEP 2:



Install the high bolts into the short leg and the short bolts into the high leg. Screw the central leg into the washer.

### STEP 3:



Please screw the bolts clockwise on the 4 side feet into the plate, until fully in position.

