



Manufactured for  
Rooms To Go

# ASSEMBLY INSTRUCTION

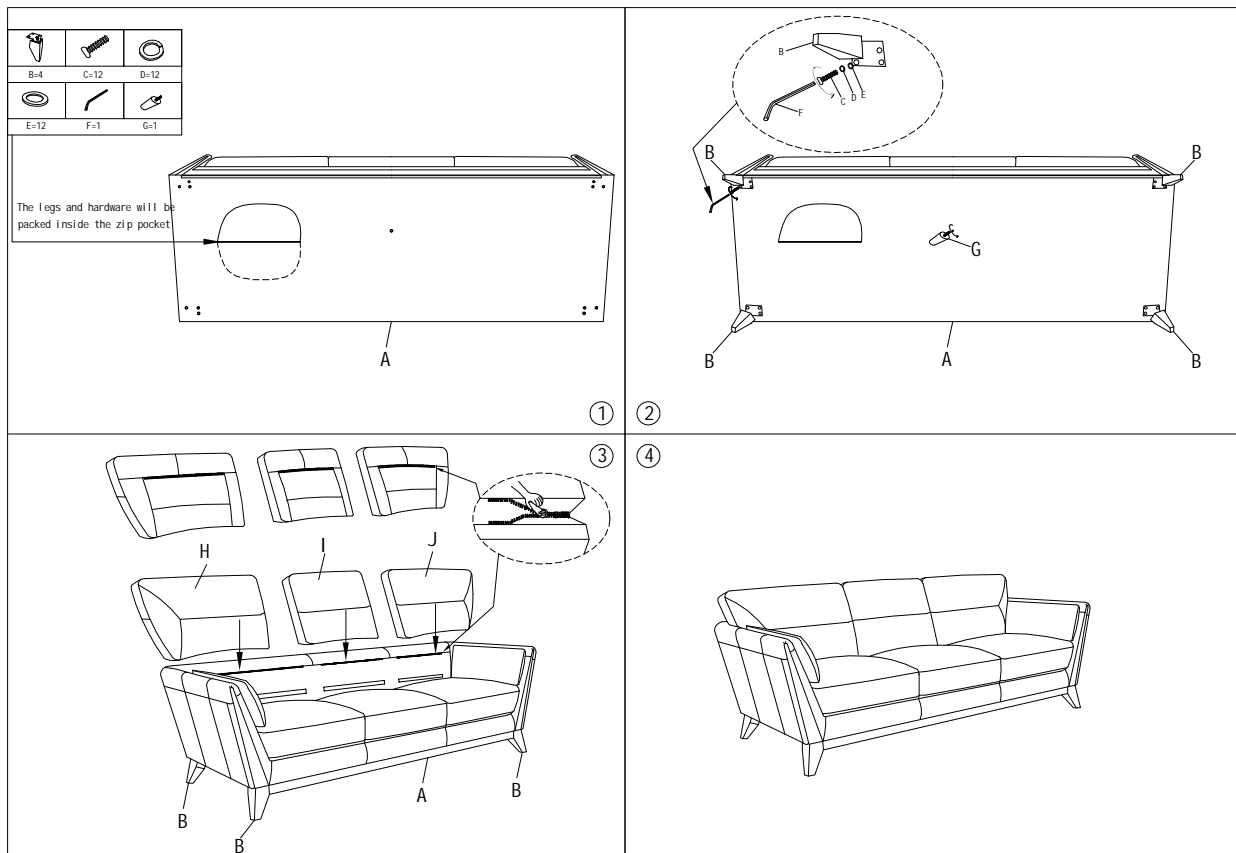
## ALEK: 55383S SOFA

### SKU# 14155382

Thank you for purchasing this quality product. Be sure to check all packing material carefully for small parts, which may have come loose inside the carton during shipment, Identify and count all parts and compare with the hardware list below.

### PART LIST

NO	Description	Item	QTY	NO	Description	Item	QTY	NO	Description	Item	QTY
A	Sofa seat		1 PC	D	Spring Washer		4 PCS	G	Center Leg		1 PC
B	Legs		4 PCS	E	Flat Washer		4 PCS	H	LAF Back Cushion		1 PC
C	Bolt Dimension M8*30mm		12 PCS	F	Allen Wrench		1 PC	I	MID Back Cushion		1 PC
								J	RAF Back Cushion		1 PC



1. Please note that the sofa legs and hardware are packed inside the zip pocket
2. Attach leg B to the bottom of the sofa, use Bolt(C) and parts (D/E/F) to tighten it.

MADE IN  
CHINA



Manufactured for  
Rooms To Go

# ASSEMBLY INSTRUCTION

## ALEK: 55382S LOVESEAT

### SKU# 14255384

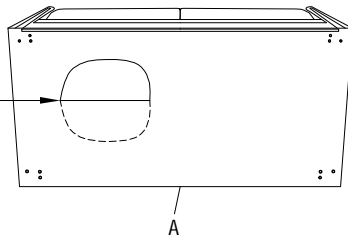
Thank you for purchasing this quality product. Be sure to check all packing material carefully for small parts, which may have come loose inside the carton during shipment, Identify and count all parts and compare with the hardware list below.

### PART LIST

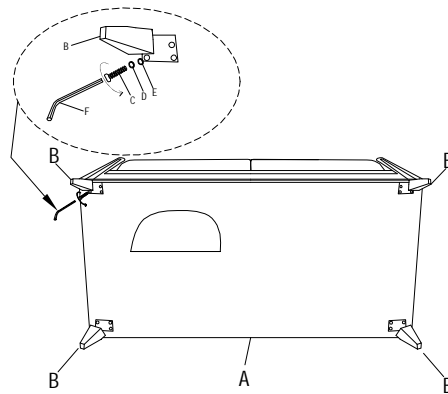
NO	Description	Item	QTY	NO	Description	Item	QTY	NO	Description	Item	QTY
A	Love seat		1 PC	D	Spring Washer		4 PCS	H	LAF Back Cushion		1 PC
B	Legs		4 PCS	E	Flat Washer		4 PCS	J	RAF Back Cushion		1 PC
C	Bolt Dimension M8*30mm		12 PCS	F	Allen Wrench		1 PC				

B=4	C=12	D=12
E=12	F=1	

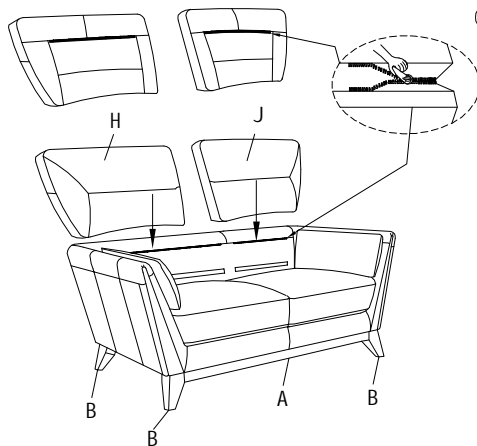
The legs and hardware will be packed inside the zip pocket



①

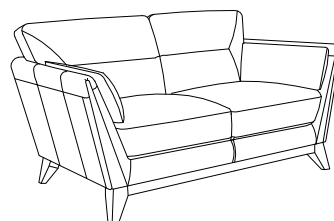


②



③

④



1. Please note that the love seat legs and hardware are packed inside the zip pocket
2. Attach leg B to the bottom of the love seat, use Bolt(C) and parts (D/E/F) to tighten it.

**MADE IN  
CHINA**



Manufactured for  
Rooms To Go






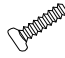

# ASSEMBLY INSTRUCTION

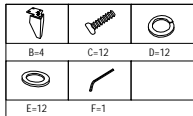
## ALEK: 55381S CHAIR

### SKU# 14355386

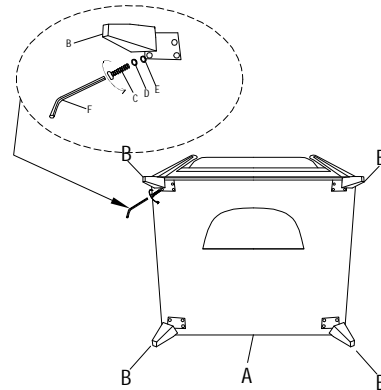
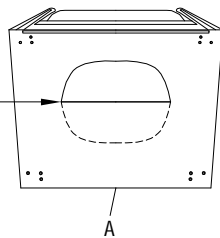
Thank you for purchasing this quality product. Be sure to check all packing material carefully for small parts, which may have come loose inside the carton during shipment, Identify and count all parts and compare with the hardware list below.

### PART LIST

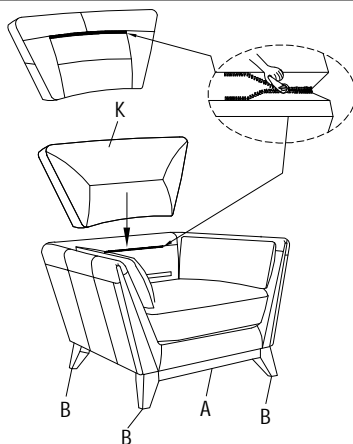
NO	Description	Item	QTY	NO	Description	Item	QTY	NO	Description	Item	QTY
A	Chair seat		1 PC	D	Spring Washer		4 PCS	K	CHAIR Back Cushion		1 PC
B	Legs		4 PCS	E	Flat Washer		4 PCS				
C	Bolt Dimension M8*30mm		12 PCS	F	Allen Wrench		1 PC				



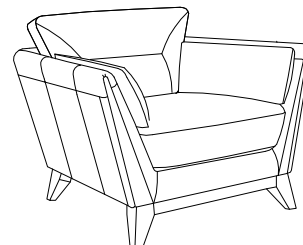
The legs and hardware will be packed inside the zip pocket



① ②



③ ④



1. Please note that the chair legs and hardware are packed inside the zip pocket
2. Attach leg B to the bottom of the chair, use Bolt(C) and parts (D/E/F) to tighten it.

**MADE IN  
CHINA**



Manufactured for  
Rooms To Go

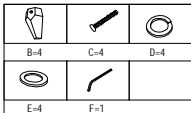
# ASSEMBLY INSTRUCTION

## ALEK: 5538S OTTOMAN

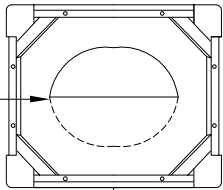
### SKU# 14455388

Thank you for purchasing this quality product. Be sure to check all packing material carefully for small parts, which may have come loose inside the carton during shipment, Identify and count all parts and compare with the hardware list below.

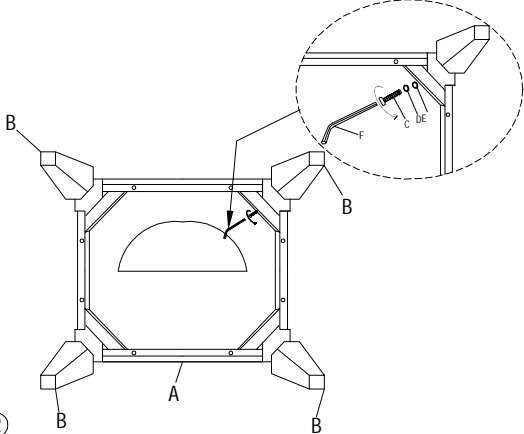
PART LIST							
NO	Description	Item	QTY	NO	Description	Item	QTY
A	Ottoman Seat		1 PC	D	Spring Washer		4 PCS
B	Legs		4 PCS	E	Flat Washer		4 PCS
C	Bolt Dimension M8*60mm		4 PCS	F	Allen Wrench		1 PC



The legs and hardware will be packed inside the zip pocket




A



B A B

①
②

③



1. Please note that the ottoman legs and hardware are packed inside the zip pocket
2. Attach leg B to the bottom of the ottoman, use Bolt(C) and parts (D/E/F) to tighten it.

**MADE IN  
CHINA**