

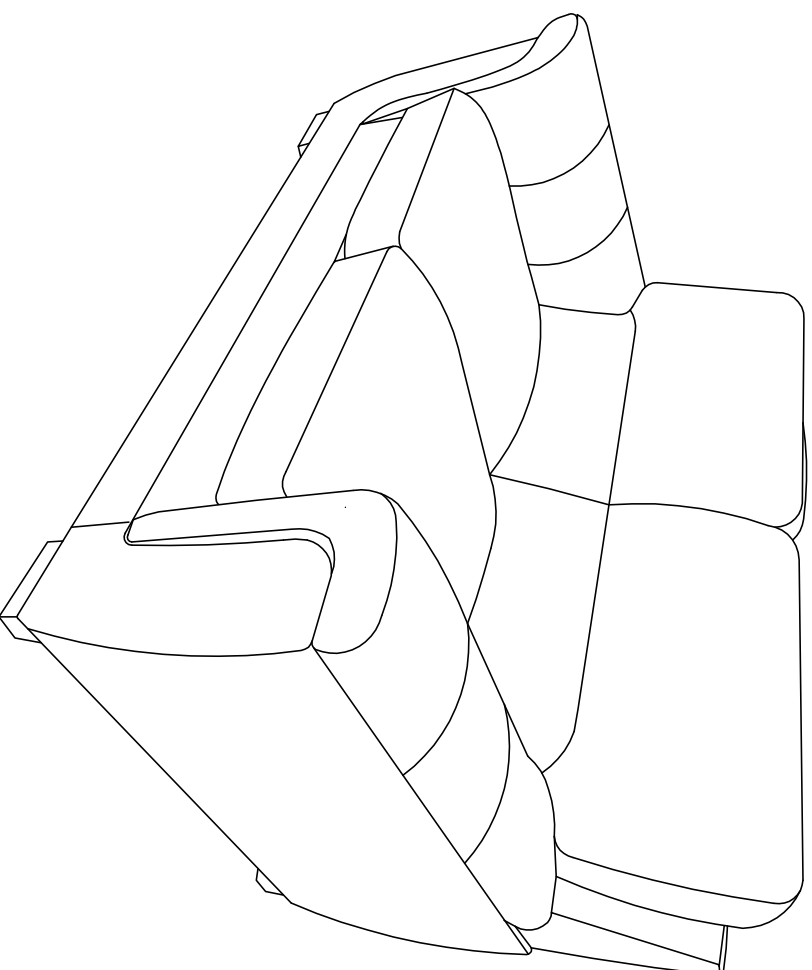


Manufactured for Rooms To Go

ASSEMBLY INSTRUCTION

VENDOR CODE: CAVS
STOCK#: 8019-2 LOVESEAT

SKU#: 14180195
SKU#: 14180222





Manufactured for Rooms To Go

LIST OF PART

VENDOR CODE: CAVS
 STOCK#: 8019-2 LOVESEAT

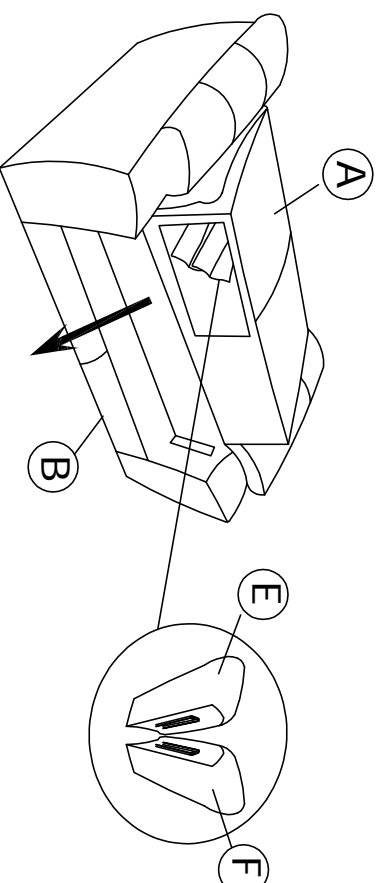
SKU#: 14180195
 SKU#: 14180222

TOOLS REQUIRED: YES (SCREWDRIVER)

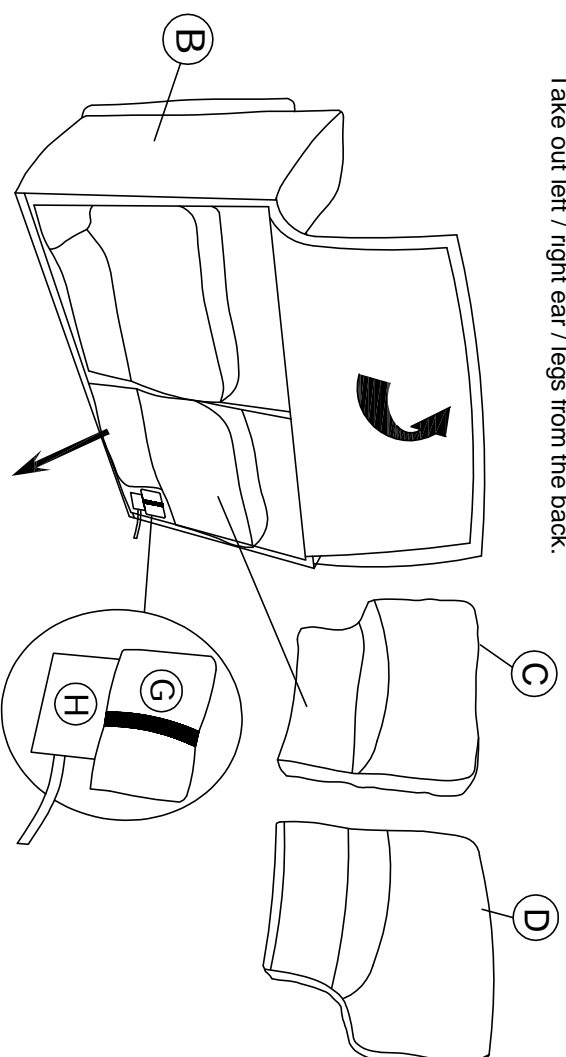
PART LIST

NO	Description	Sketch	Quantity
A	BACK		1
B	SEAT FRAME		1
C	LEFT BACK CUSHION		1
D	RIGHT BACK CUSHION		1
E	LEFT EAR		1
F	RIGHT EAR		1
G	LEG		4
H	SCREW M5*50mm		8

Location of KD parts



Take out left / right ear / legs from the back.



Take out back cushion from the seat frame bottom.



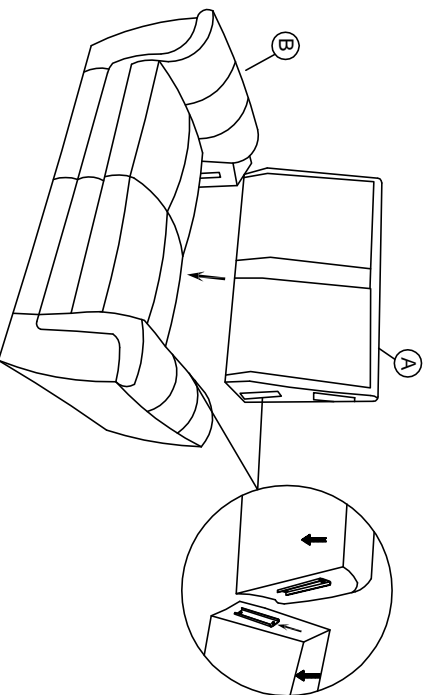
Manufactured for Rooms To Go

ASSEMBLY INSTRUCTION

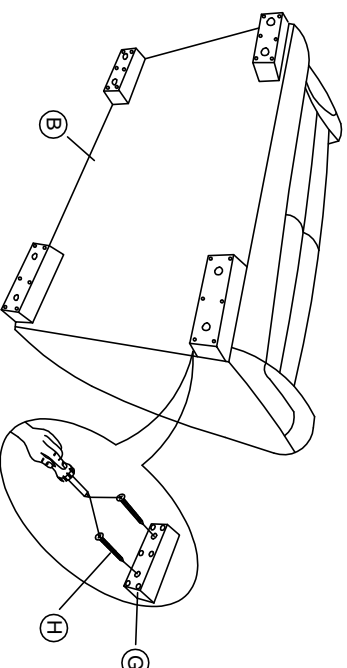
VENDOR CODE: CAVS
STOCK#: 8019-2 LOVESEAT

SKU#: 14180195
SKU#: 14180222

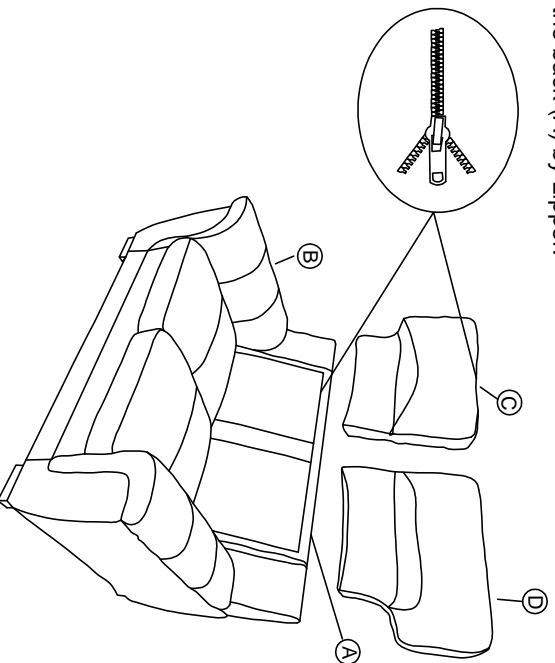
STEP 1: Insert back (A) into seat frame (B).



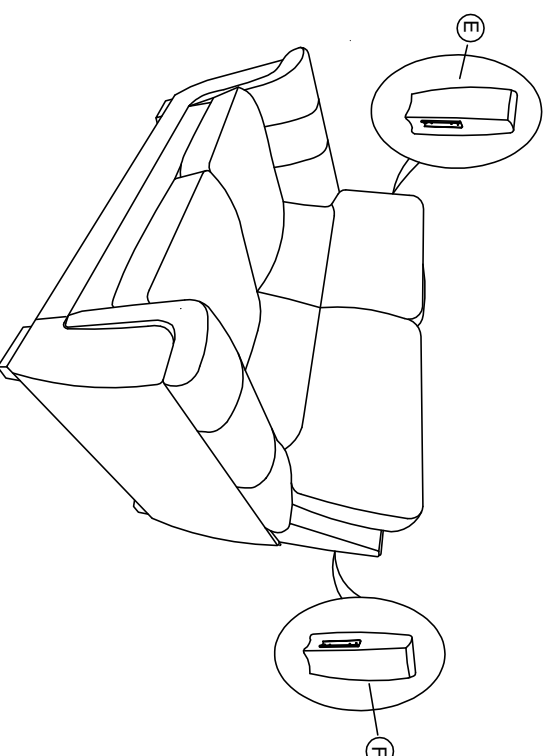
STEP 2: Screw legs (G) with screw (H) in the seat frame (B). (Screwdriver is not included in the parts.)



STEP 3: Attach left back cushion (C) and right back cushion (D) on the back (A) by zipper.



STEP 4: Attach left ear (E) and right ear (F) to back (A).
The loveseat is completed.



ASSEMBLY INSTRUCTION



Manufactured for Rooms To Go

VENDOR CODE: CAVS
STOCK#: 8019-2 LOVESEAT

SKU#: 14180195
SKU#: 14180222

CARE AND CLEANING

*Upholstered furniture is packaged tightly to protect it during transit. This packaging can sometimes cause creases or misshaped cushions when the furniture comes out of the packaging. These issues will correct themselves over time as the fibers of the cushions are exposed to air. However, shaping the cushions with your hands can alleviate the creases and compressed fibers more quickly.



*Dust often and use a vacuum cleaner to remove debris from seams and crevasses.

*Use a soft damp cloth to gently clean soiled areas and wipe clean. Do not rub.

*Do not use household cleaners or solvents. Such cleaners may cause damage and/or discoloration.

*Do regularly use dedicated leather care product onto the leather furniture to prevent built up of body oils.



*Avoid placing unit in areas where unit can be exposed to direct sunlight other powerful light sources

*Keep unit at least 24" from all heat sources.

As fading or discoloration may occur.



*Do not reach under seat when mechanism is operating or serious injury may occur.

*Reclining mechanism should only be operated while seated properly.

Do not sit on arms or backrest
Do not jump or roughhouse on furniture



*If unit must be moved, do not drag. Unit must be lifted in order to be moved.



Do not continuously operate mechanism for more than one minute or unit may go into protection mode by shutting down to prevent overheating.

*Unplug unit from power source prior to cleaning mechanism.

*Do not allow electrical components to come into contact with any liquids.