



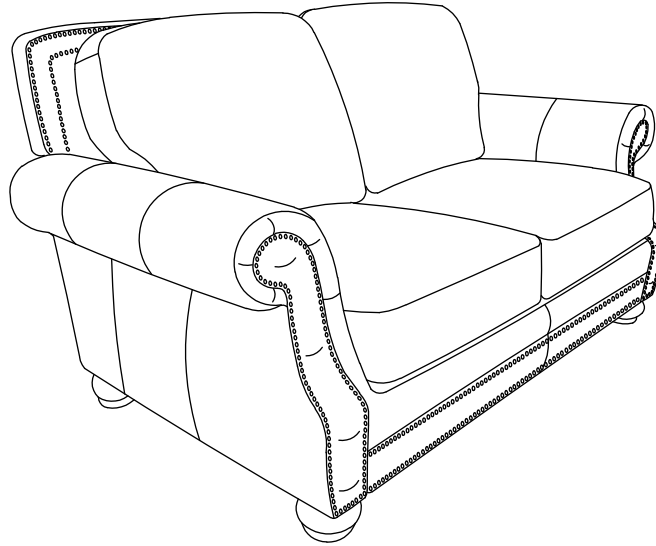
ASSEMBLY INSTRUCTIONS

NLHF 3796C-LS LOVESEAT
 NLHF 3796D-LS LOVESEAT

SKU#:14237920
 SKU#: 14237932

Manufactured for Rooms To Go

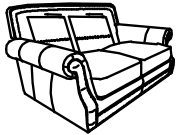


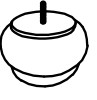
Version#1-Date 2025/09/02



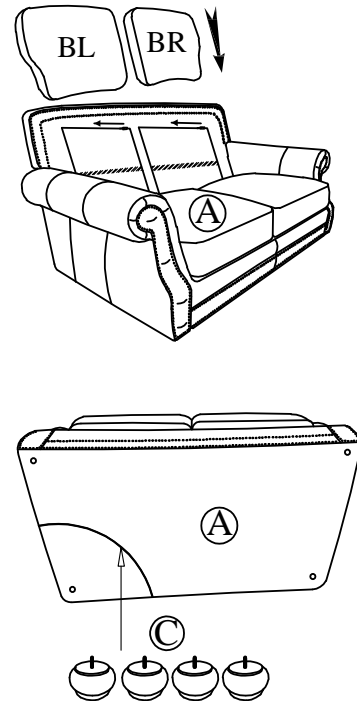
LOVESEAT

LIST OF PARTS

TOOLS REQUIRED: PHILIPS HEAD SCREWDRIVER

NO	Description	Item	QTY
A	Loveseat Assembly		1
BL	LAF Backrest		1
BR	RAF Backrest		1
C	Wood Leg		4

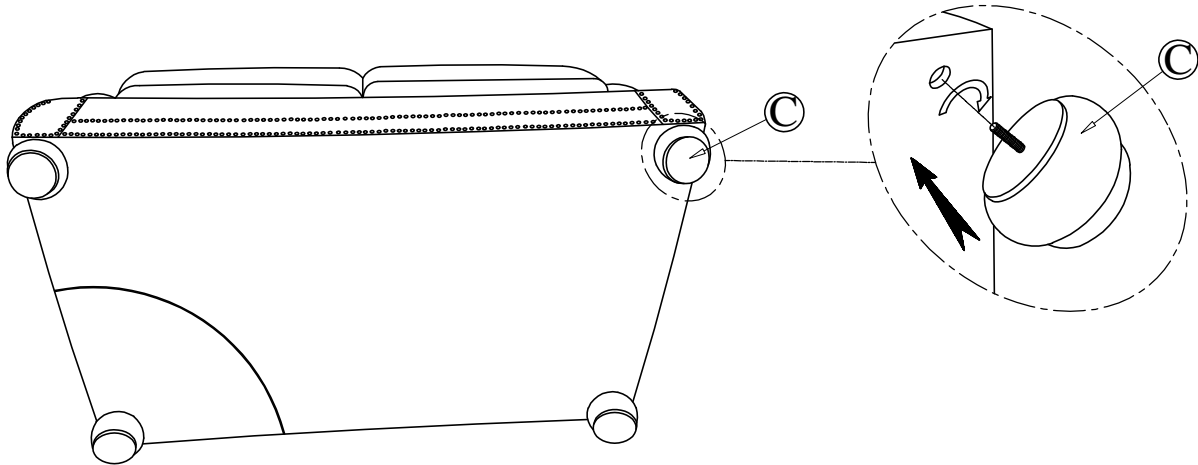
Location of KD parts



Legs and hardware are located inside of the zip pocket.

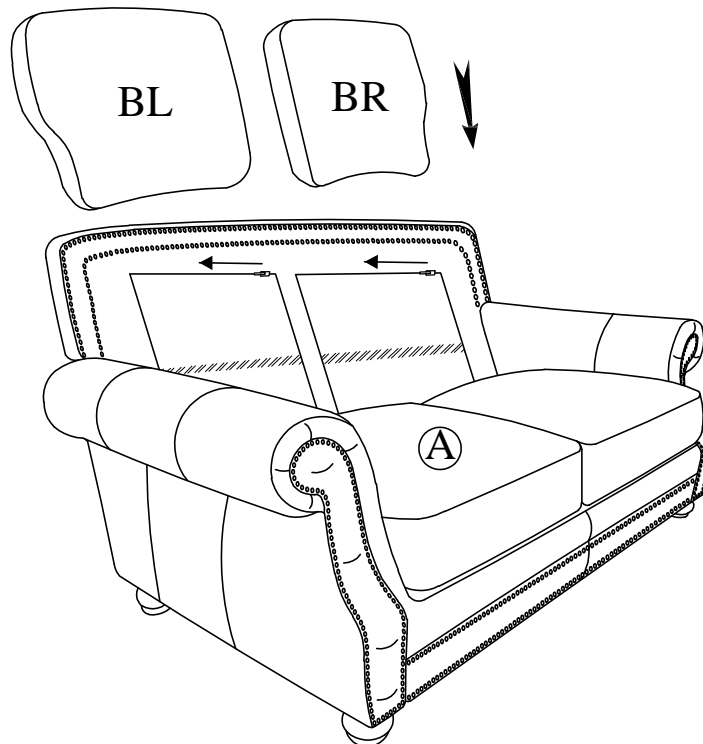
Step 1

Take off the legs (C) from the zip pocket at the bottom of the Loveseat. Align wood legs (C) to the pre-drilled holes, then turn clockwise until the legs are tighten.



Step 2

Attach the backrests (BL),(BR) to back frame by zippers.



CARE AND CLEANING

*Upholstered furniture is packaged tightly to protect it during transit. This packaging can sometimes cause creases or misshaped cushions when the furniture comes out of the packaging. These issues will correct themselves over time as the fibers of the cushions are exposed to air. However, shaping the cushions with your hands can alleviate the creases and compressed fibers more quickly.



Before shaping



After shaping



*Dust often and use a vacuum cleaner to remove debris from seams and crevasses.

*Use a soft damp cloth to gently clean soiled areas and wipe clean. Do not rub.

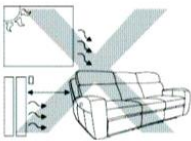
*Do not use household cleaners or solvents. Such cleaners may cause damage and/or discoloration.

*Do regularly use dedicated leather care product onto the leather furniture to prevent built up of body oils.

WARNINGS

*Keep unit at least 24" from all heat sources.

*Avoid placing unit in areas where unit can be exposed to direct sunlight or other powerful light sources, as fading or discoloration may occur.



*Do not reach under seat when mechanism is operating or serious injury may occur.

*Reclining mechanism should only be operated while seated properly.

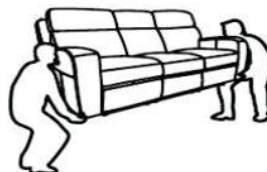
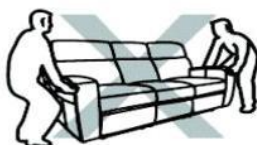


*Do not sit on arms or backrest.

*Do not jump or roughhouse on furniture.



*If unit must be moved, do not drag. Unit must be lifted in order to be moved.



*Do not continuously operate mechanism for more than one minute or unit may go into protection mode by shutting down to prevent overheating.

*Unplug unit from power source prior to cleaning mechanism.

*Do not allow electrical components to come into contact with any liquids.

Product

Care & Cleaning Instructions

Congratulations. You have selected furniture of the finest quality and fine quality assures lasting furniture, by following simple recommendations, you can keep your upholstery in good condition

- Proper placement of your upholstery in a room can contribute to its life. Try to avoid placing your furniture in direct sunlight and maintain a safe distance from a heat source
- Remember to vacuum your furniture often. This will help prevent dust and other debris from becoming embedded in the fabric. Use the soft brush attachment on your vacuum cleaner for leather upholstery.
- As you settle into your new fabric or leather upholstery, "comfort wrinkle" will begin to appear. This is a natural part of the upholstery maturing process. Cushions and pillows should be reversed on a regular basis, where applicable. This keeps the filling evenly distributed to minimize wrinkles and maximize comfort.
- Leather Upholstery: Dust regularly with a clean dust cloth, do not use furniture polish, oils, varnishes, ammonia water, soaps or dusting agents. To help remove soil or stains, use lukewarm water and thoroughly clean the area of the leather that includes the stain. Avoid dabbing the stained area only. Do not rub. Let dry naturally and repeat if necessary. Avoid using ink pens, nail polish, nail polish remover or other harmful products near your leather furniture to avoid spills and avoid placing newspapers or magazines on the surfaces, as the inks may transfer onto the leather.

We appreciate your purchase.