



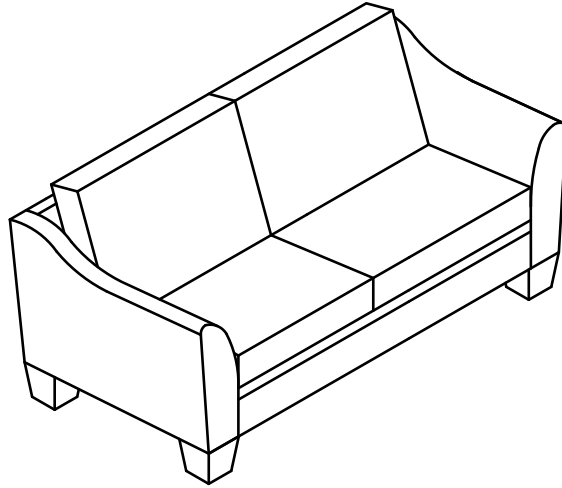
# HNCL

9630-LS LOVESEAT

SKU#14296342,14296330

9630-RRSL SLEEPER LOVESEAT SKU#14896344,14896332

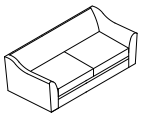
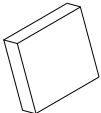
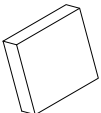
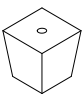



Manufactured for Rooms To Go

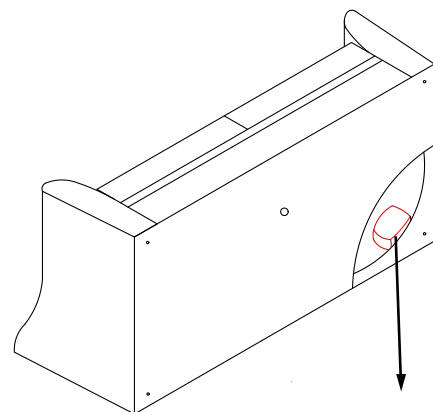
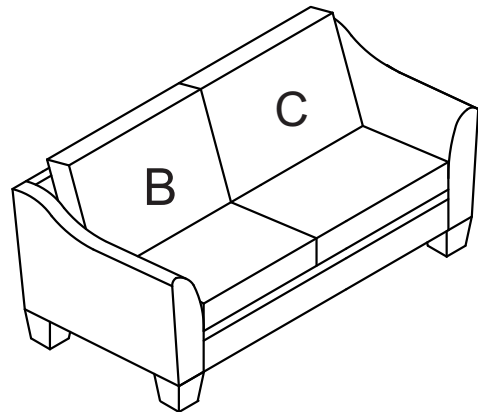


LOVESEAT,SLEEPER LOVESEAT

## LIST OF PARTS

TOOLS REQUIRED:SCREWDRIVER

NO	Description	Item	QTY
A	Lvst/Sleepr Lvst Body		1
B	LAF Backrest		1
C	RAF Backrest		1
D	Wood Leg		4
E	Middle Support Leg		1
F	Cross-head Bolt M8X55CM,Threads 42		4
G	Washer		4

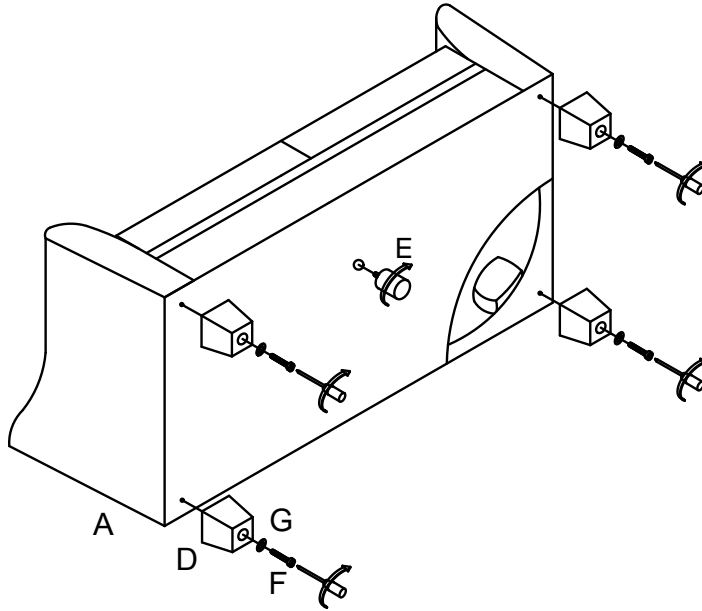


Legs and hardware located in the zip pocket

# ASSEMBLY INSTRUCTION

## Step1

Take off the legs **D,E** and hardware **F,G** from the zip pocket at the bottom of the furniture. Align wood legs **D** to the pre-drilled holes, insert washers and bolts, then use screwdriver to tight the legs. Insert the bolt of the middle support legs **E** in the pre-drilled holes at the central then turn the leg clockwise until the leg are tightened.



Step1 is for loveseat only, sleeper legs are preassembled

## Step 2

Attach the backrests **B,C** to back frame by zippers.

