



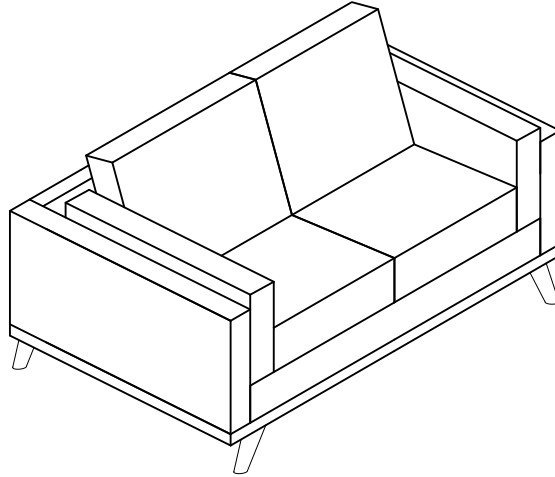
HNCL

9650-LS

LOVESEAT

SKU#14296506,14296518,14297015

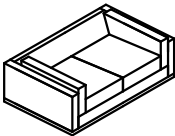
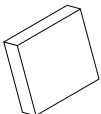
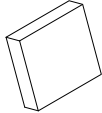
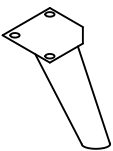

Manufactured for Rooms To Go

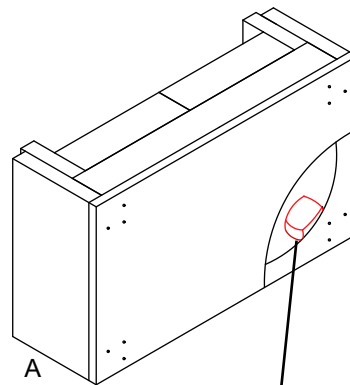
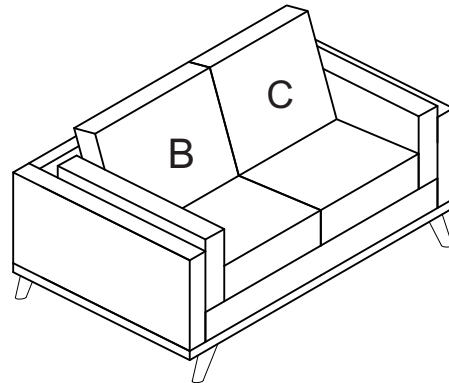


LOVESEAT

LIST OF PARTS

TOOLS REQUIRED: SCREWDRIVER (Not Included)

NO	Description	Item	QTY
A	Lvst Body		1
B	LAF Backrest		1
C	RAF Backrest		1
D	Wood Leg		4
E	Cross-head Bolt M8 x 30mm Thread		12



Legs and hardware located in the zip pocket



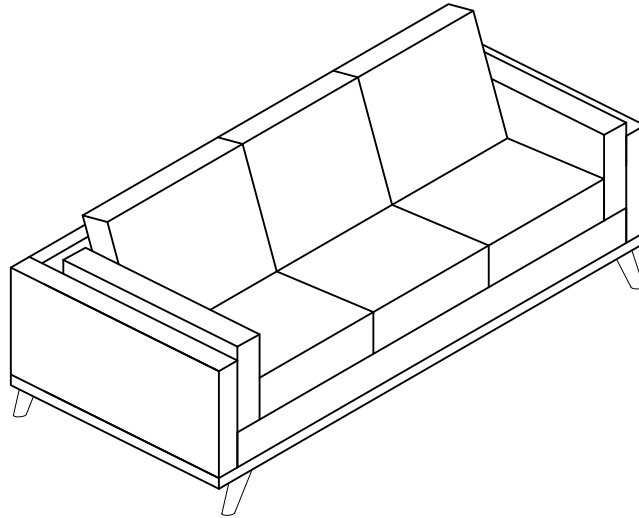
HNCL

9650-SF

SOFA

SKU#14197013,14196504,14196516

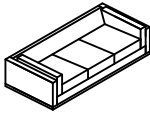



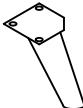


Manufactured for Rooms To Go

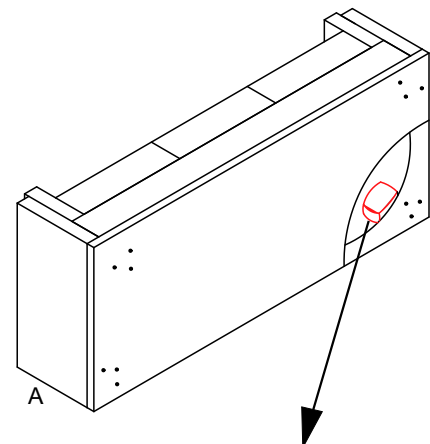
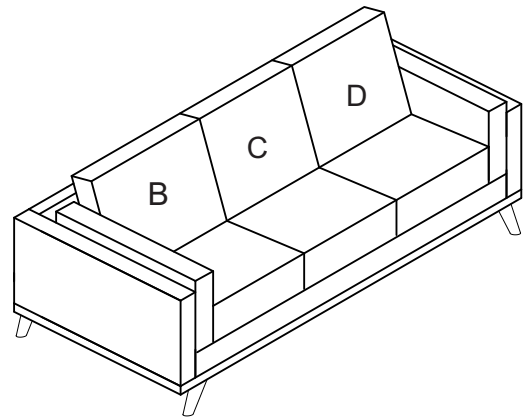


SOFA

LIST OF PARTS

TOOLS REQUIRED: SCREWDRIVER (Not Included)

NO	Description	Item	QTY
A	Sofa Body		1
B	LAF Backrest		1
C	Middle Backrest		1
D	RAF Backrest		1
E	Wood Leg		4
F	Middle Support Leg		1
G	Cross-head Bolt M8 x 30mm Thread		12

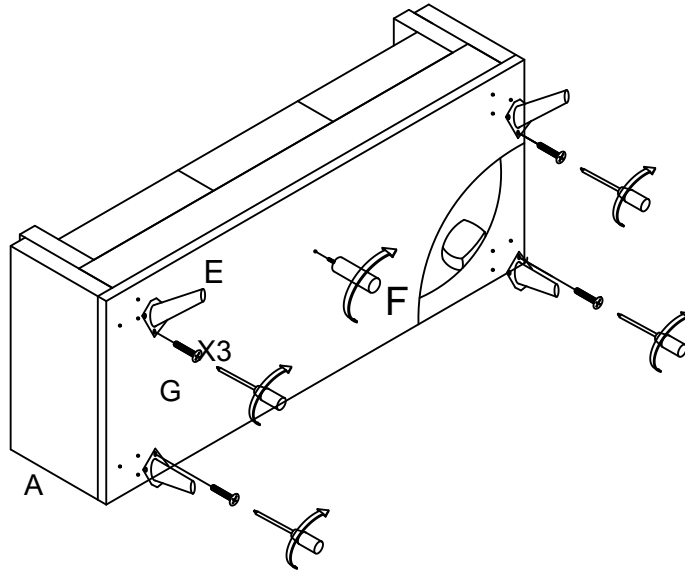


Legs and hardware are located in the zip pocket

ASSEMBLY INSTRUCTION

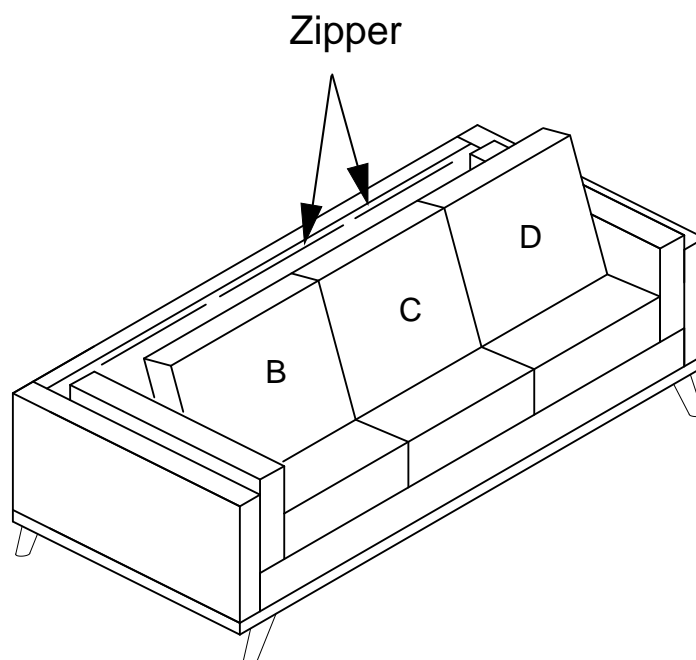
Step 1

Take off the legs **E,F** and hardware **G** from the zip pocket at the bottom of the sofa. Align wood legs **E** to the pre-drilled holes, insert bolts, then use screwdriver to tight the legs. Insert the bolt of the middle support legs **F** in the pre-drilled holes at the central then turn the leg clockwise until the leg are tightened.



Step 2

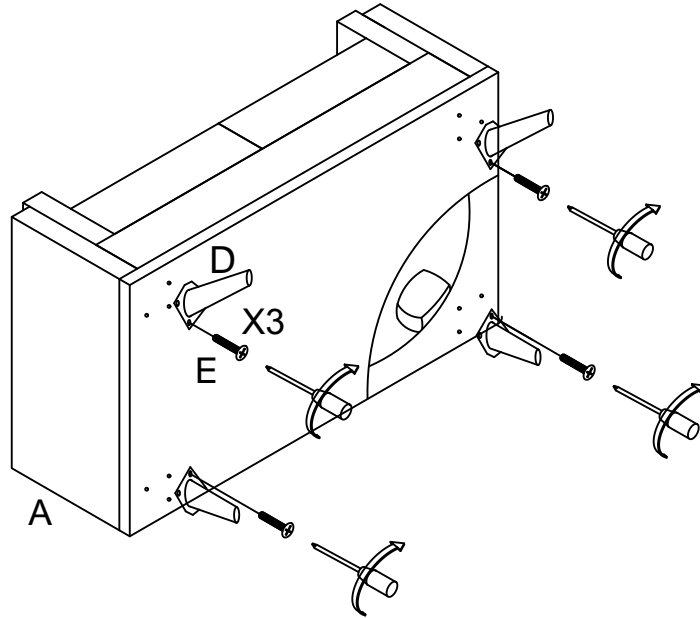
Attach the backrests **B,C,D** to back frame by zippers.



ASSEMBLY INSTRUCTION

Step 1

Take off the legs **D** and hardware **E** from the zip pocket at the bottom of the furniture. Align wood legs **D** to the pre-drilled holes, insert washers and bolts, then use screwdriver to tight the legs.



Step 2

Attach the backrests **B,C** to back frame by zippers.

