

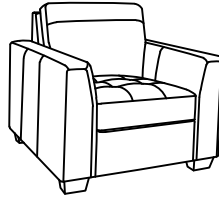


# RLAX

## M660B-1 CHAIR

SKU# 14306612  
SKU# 14306600




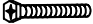

Manufactured for Rooms To Go

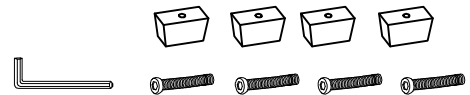
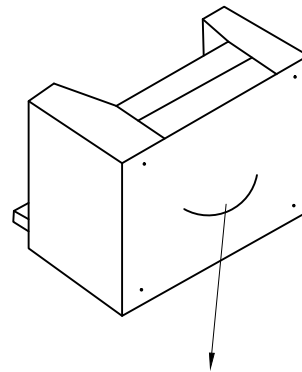
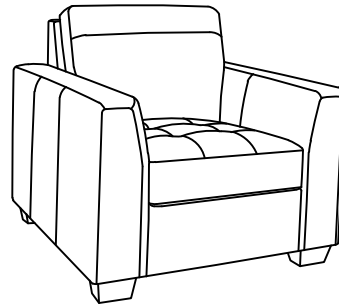


CHAIR

### LIST OF PARTS

TOOLS REQUIRED: SCREWDRIVER (Not included)

NO	Description	Item	QTY
A	Chair Assembly		1
BL	Backrest		1
C	Wood Leg		4
D	Bolt	 M8x18x75MM	4
E	Flat Washer	 M8x16x1.5	4

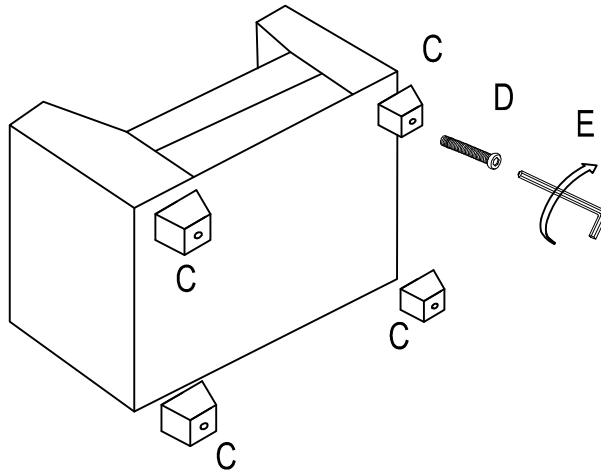


Legs and hardwares are located inside of the zip pocket

# ASSEMBLY INSTRUCTION

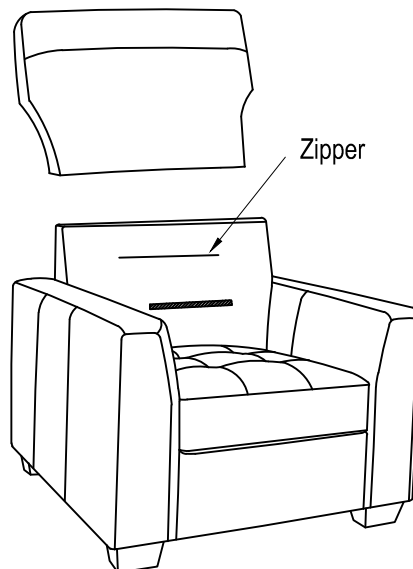
## Step1

Take off the legs (C), from the zip pocket at the bottom of the sofa. Align wood legs (C) to the pre-drilled holes at the corners, then turn the legs clockwise until the legs are tightened.



## Step2

Attach the backrests (BL),(BR) to back frame by zippers.

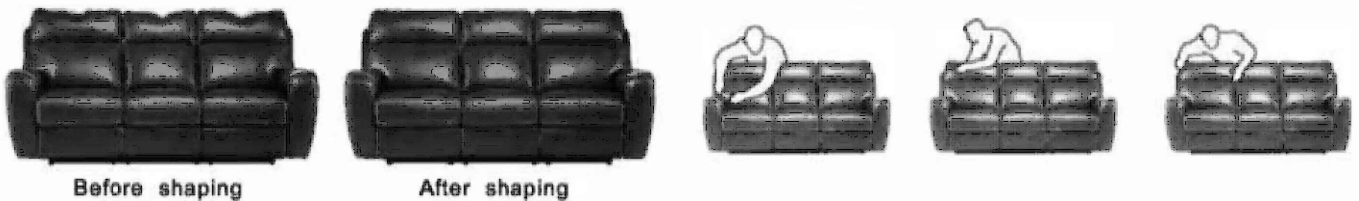


# ASSEMBLY INSTRUCTIONS

The sofa requires no special but normal maintenance, so does the padding material.

If your sofa is with fabric filler or down feather padding, you will need to shape its cushions carefully to make them restore to their original shapes, because long way transportation will make the cushions out of shape.

In fact, the long journey which the sofa is subjected to before reaching your home could temporarily affect the sofa's initial beauty.



## Care and Cleaning

Dust often and use a vacuum cleaner to clean seams. To maintain the fabric appearance, gently cleansoiled areas with soft cloth dampened with water. Wipe with a clean, damp surface(do not rub).

**Spot Cleaning Fabric:** Blot any spills immediately; do not rub. Blot away the excess liquid with a clean, dry, white cloth; turning the cloth frequently.

**Do not** use common household cleaners, solvents, or dry cleaning fluids on fabric furniture. These cleaners may cause damage and color fading.

**Do not** use or place sharp objects on upholstered furniture.

**Do not** place furniture in direct sunlight and keep furniture at least 60cm/2ft from heat sources to avoid fading.