

# Assembly Instructions

## 33851-1P CHAIR

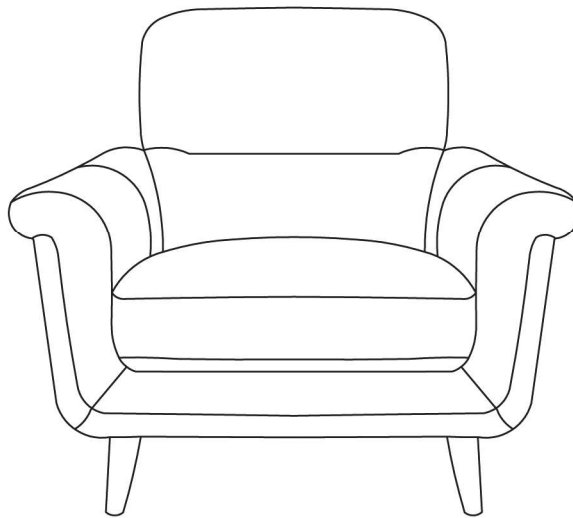
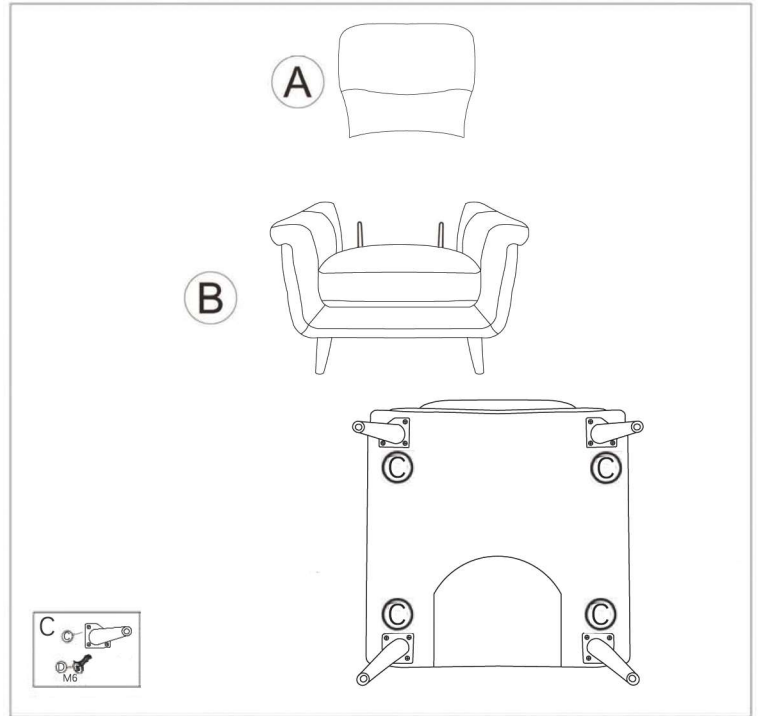
Manufactured by VIOL for Room To Go

SKU#14333861/14333859  
14333873/14333885

TOOLS REQUIRED: SCREWDRIVER

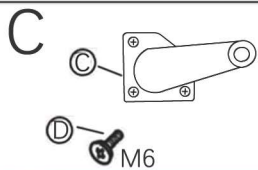
### PART LIST

NO	Description	Item	Quantity
A	Backrest		1
B	Seat		1
C	Tapered leg		4
D	M6*25 screw		12



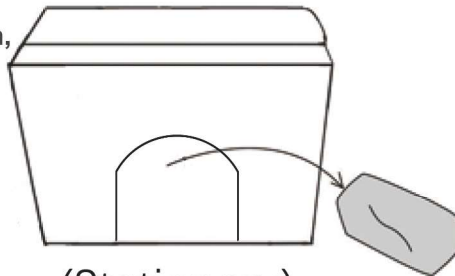
Hardware Park Locations : Open the zipper at the bottom of the chair.

CHAIR , SKU#14333861/14333859/14333873/14333885

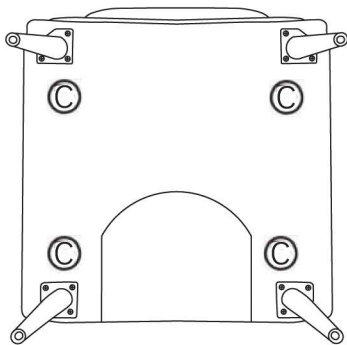


**STEP 1:**

Please put the chair upside down, find the chair legs on the bottom of chair.



(Stationary)



Install all legs accordingly to above instruction:

**Front & Back leg:** Attach the tapered leg (C) into the bottom of produce by using 1 piece M6 screw (D) through the hole.

Use screwdriver to tighten the M6 screws (D) clockwise until secure.

**STEP 2:**

Install the Backrest(A) into the Seat (B) by positioning the female metal receiver brackets over the male metal posts.

Ensure that female metal receiver brackets on each side of the backrest are positioned over the seat metal posts.

push down the female brackets over male posts simultaneously until each side is locked into place an audible "click" is heard.

Install all backrests of sectional pieces in the same way described above.

