
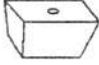
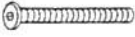



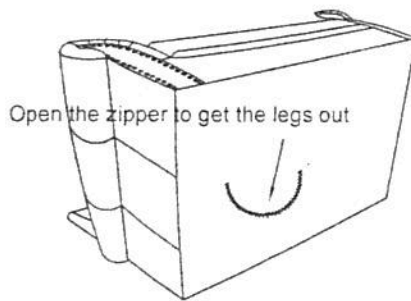
ROOMS TO GO

ASSEMBLY INSTRUCTIONS
STOCK#: 6295N-1 CHAIR
VENDOR CODE: RLAX
SKU#: 14362975/14362987

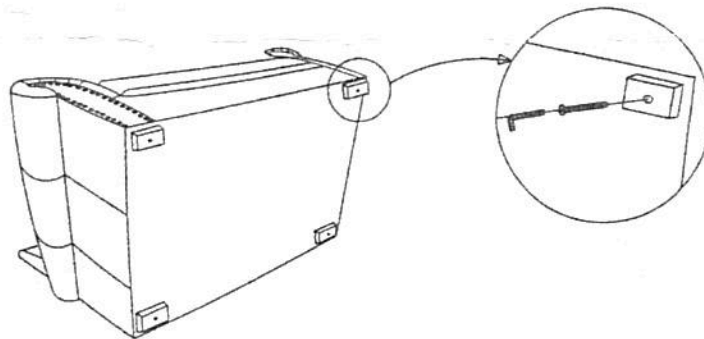
| NO. | PARTS LIST | Q' TY |
|-----|---|-------|
| A |  | 1 |
| B |  | 4 |

| NO. | HARDWARE LIST | Q' TY |
|-----|--|-------|
| 1 |  M8*55MM | 4 |
| 2 |  M5*100*38MM | 1 |

STEP 1



STEP 2



STEP 3

