






# ROOMS TO GO

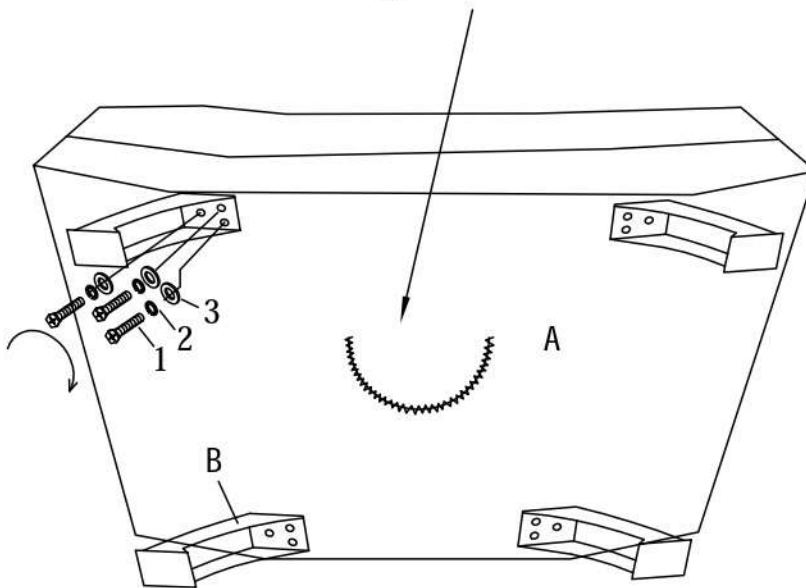
ASSEMBLY INSTRUCTIONS  
 VENDOR CODE: CAVS  
 STOCK# 6716 -1 CHAIR  
 SKU#: 14367254/14367230/14367242

NO.	PARTS LIST	Q'TY
A		1
B		4

NO.	HARDWARE LIST	Q'TY
1	 M8*25MM	12
2		12
3		12

STEP 1

Open the zipper to get the legs out



STEP 2

