





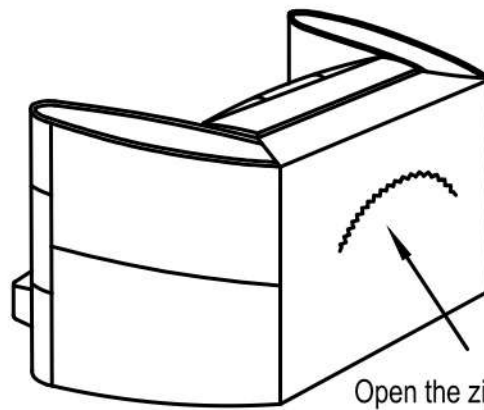
ROOMS TO GO

ASSEMBLY INSTRUCTIONS  
VENDOR CODE:CAVS  
STOCK#:6274E-1 CHAIR  
SKU#:14372736/14372748/14372750

NO.	PARTS LIST	Q' TY
A		1
B		4

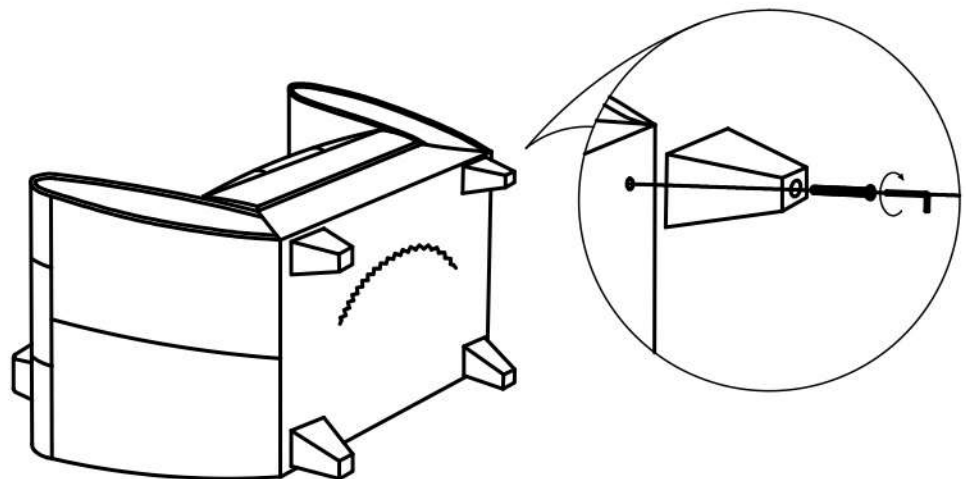
NO.	HARDWARE LIST	Q' TY
1	 M8*90MM	4
2	 M5*100*38MM	1

STEP 1



Open the zipper to get the legs out

STEP 2



STEP 3

