

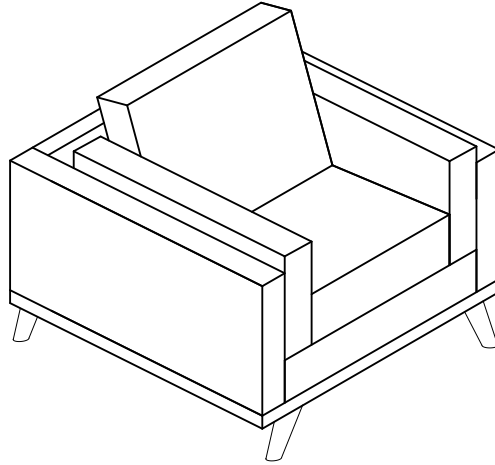


HNCL

9650-CH CHAIR

SKU#14396508,14396510,14397017

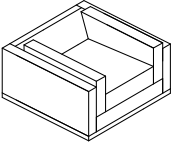
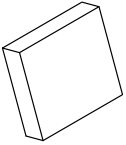
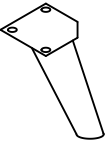

Manufactured for Rooms To Go

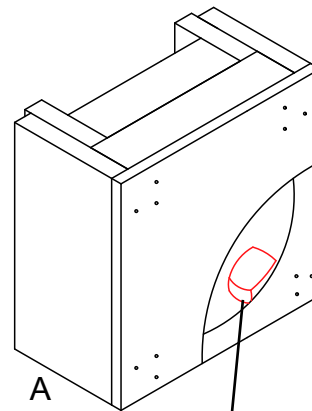
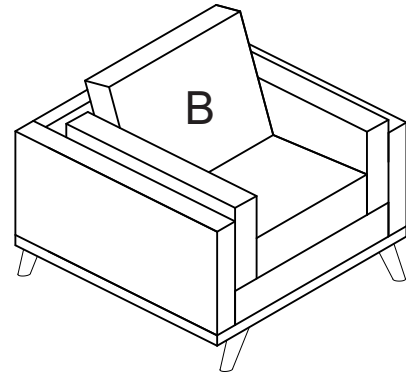


CHAIR

LIST OF PARTS

TOOLS REQUIRED: SCREWDRIVER (Not Included)

NO	Description	Item	QTY
A	Chair Body		1
B	Backrest		1
C	Wood Leg		4
D	Cross-head Bolt M8 x 30mm Thread		12

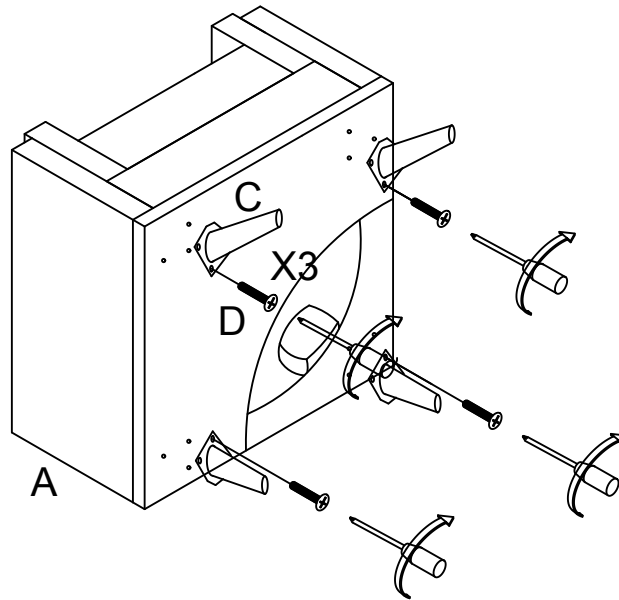


Legs and hardware are located in the zip pocket

ASSEMBLY INSTRUCTION

Step 1

Take off the legs **C** and hardware **D** from the zip pocket at the bottom of the furniture. Align wood legs **C** to the pre-drilled holes, insert washers and bolts, then use screwdriver to tight the legs.



Step 2

Attach the backrests **B** to back frame by zippers.

