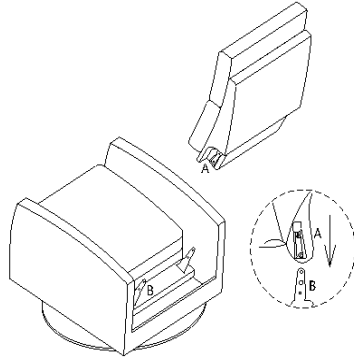




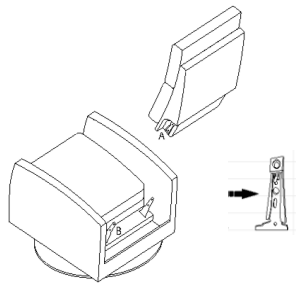
Assembly Instructions
SYNE K2323N-88 Pedestal Swivel Recliner
SKU# 14422668 14422670

Manufactured for Rooms To Go

*****CAUTION: The item is heavy. Assembly should be performed on a soft surface by two people**

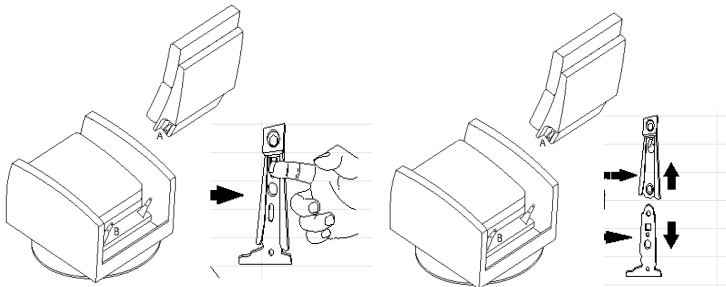


1. Slide the metal receiver (A) over the metal post (B) to connect the seat back.



2. Press both sides of the back firmly downward until the back is locked in place over the metal post.

Note: if it is difficult to get the back to lock into place, make sure that the tab is aligned with the post.



3. To remove the back from the seat, lift the tab on both sides and pull the back straight up until it is free from the seat.