



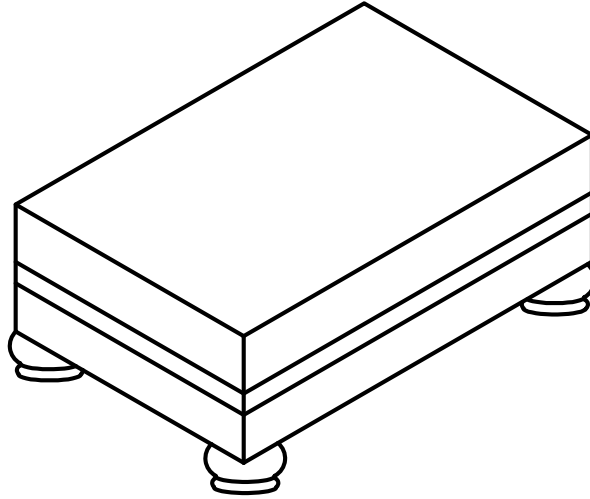
# HNCL

3778E/J-OT

OTTOMAN

SKU#14437835,14437811,14437823

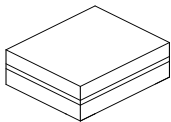
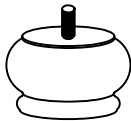
Manufactured for Rooms To Go

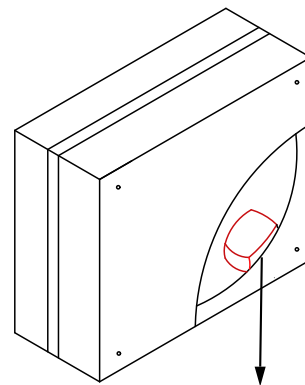


## OTTOMAN

### LIST OF PARTS

TOOLS REQUIRED:NO NEED

NO	Description	Item	QTY
A	Ottoman Assembly		1
B	Wood Leg		4



Legs are located inside of the zip pocket

## ASSEMBLY INSTRUCTION

Turn the ottoman on its side and place on a soft surface to prevent scratching the leather. Take off the legs B from the zip pocket at the bottom of ottoman.

Align wood leg B bolt to the pre-drilled hole at the corner and turn the leg clockwise until it is tightened. Install 4 legs in same way.

Assembly of the ottoman is now completed!

