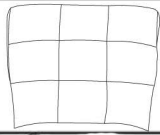

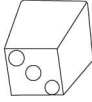


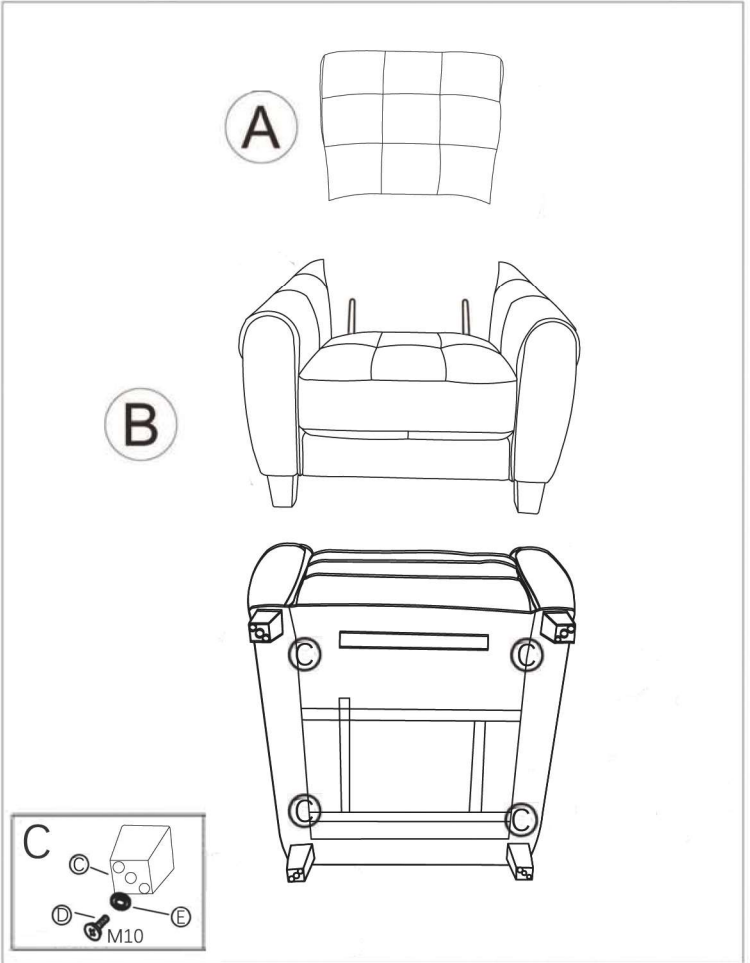


LIST OF PARTS

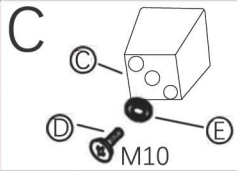
TOOLS REQUESTED: Customer should find a screwdriver to install the screw

PART LIST

NO	Description	Item	Quantity
A	Backrest		1
B	Seat		1
C	Front Tapered leg		4
D	M10 screw	0.4"*37*2.4" 	4
E	washer	0.4"*Φ18*2mmT 	4

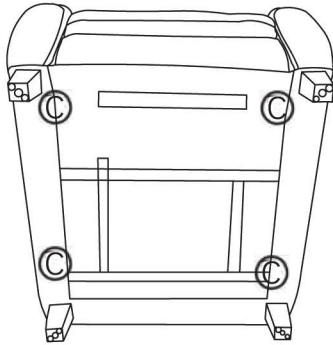
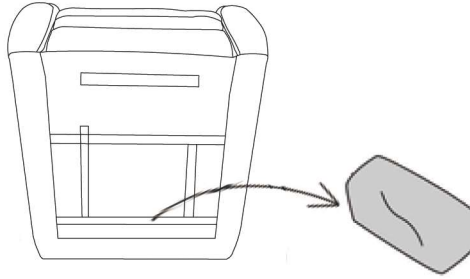


ASSEMBLY INSTRUCTIONS



STEP 1:

Please put the push back recliner upside down, find the push back recliner legs on the bottom of push back recliner.



Install all legs accordingly to above instruction:

Front & Back leg: Attach the front tapered leg (C) into the bottom of produce by using 1 piece washer (E) and M10 screw (D) through the hole. Use screwdriver to tighten the M10 screws(D) clockwise until secure.

STEP 2:

Install the Backrest(A) into the Seat (B) by positioning the female metal receiver brackets over the male metal posts. Ensure that female metal receiver brackets on each side of the backrest are positioned over the seat metal posts. push down the female brackets over male posts simultaneously until each side is locked into place an audible "click" is heard. Install all backrests of sectional pieces in the same way described above.

