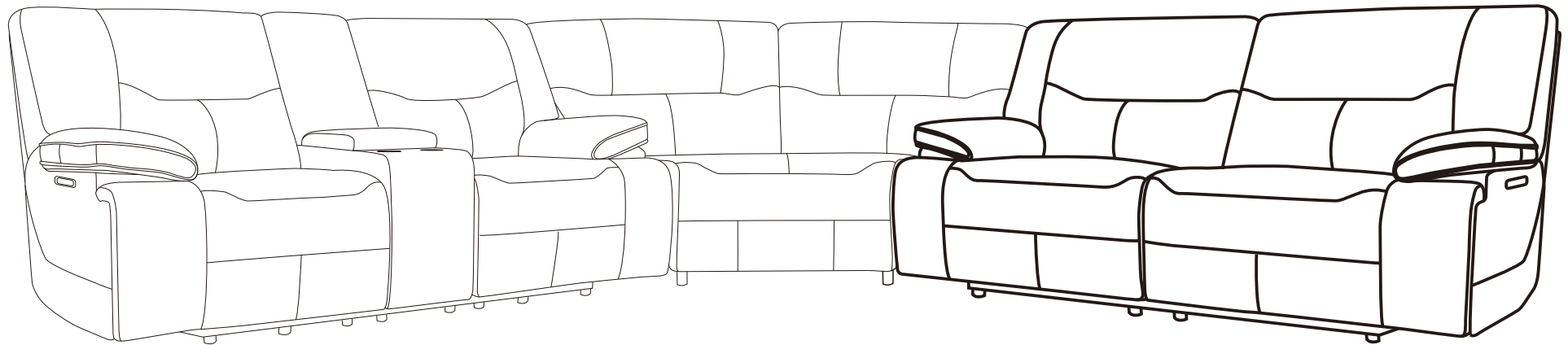




Manufactured for Rooms To Go

YOUZ E2968  
DUAL POWER RECLINING  
SOFA

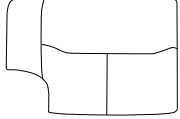
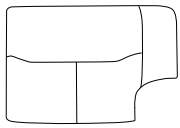
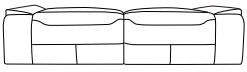


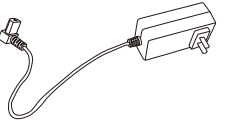
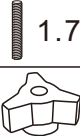

SKU:15129681  
SKU:15129693

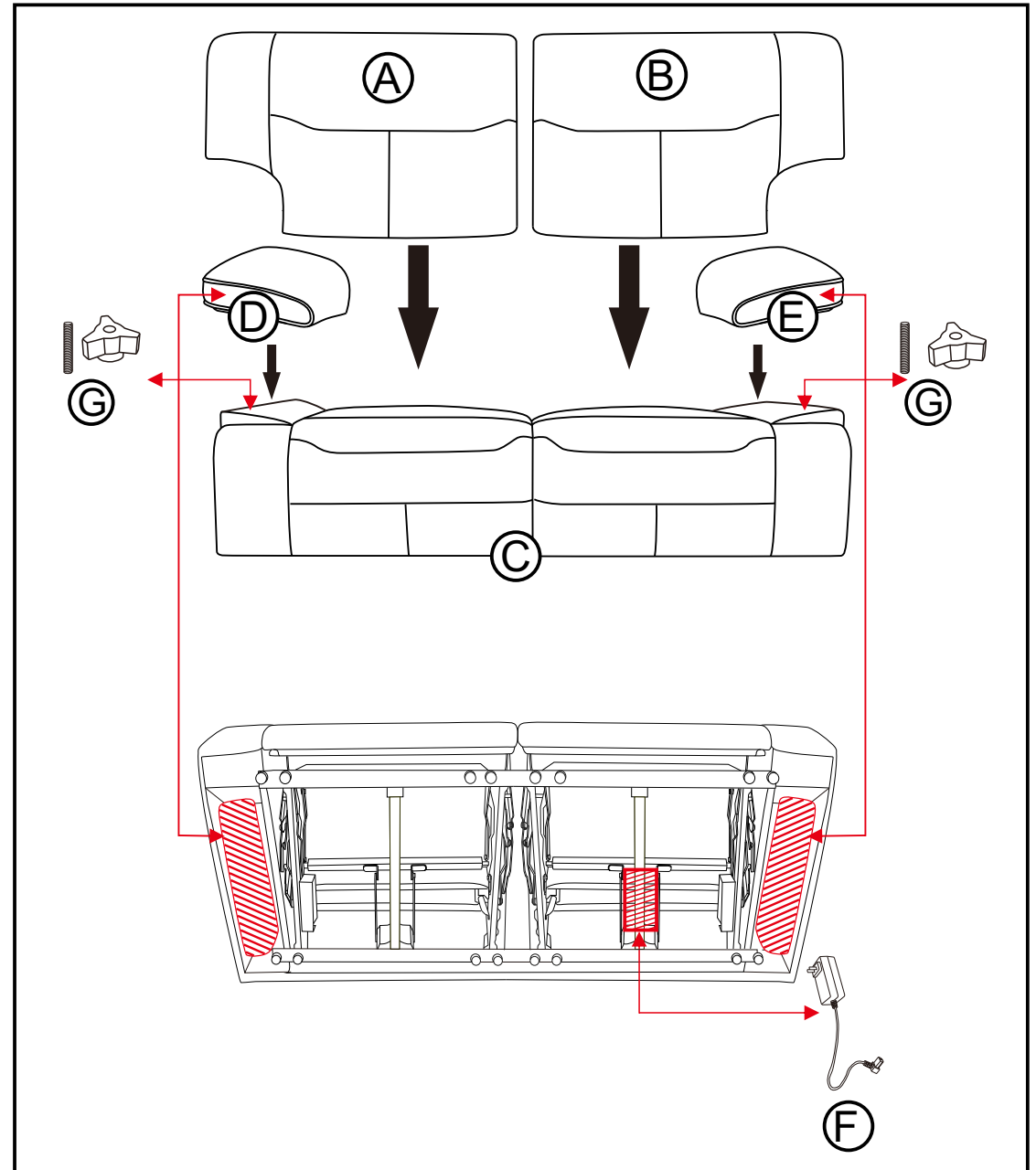


# List of Parts

TOOLS REQUIRED:NO TOOLS REQUIRED

## PART LIST

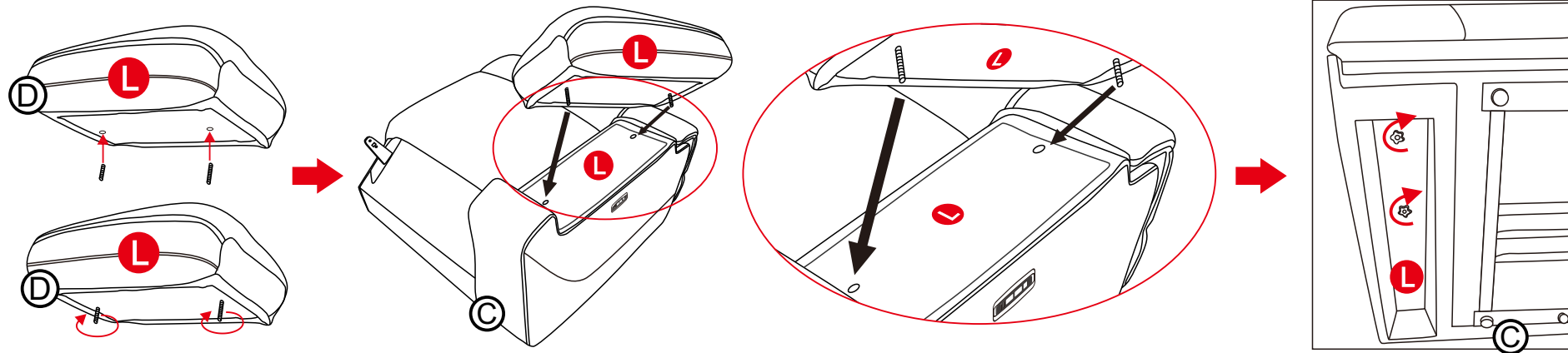
NO	Description	Sketch	Quantity
A	LAF Back		1
B	RAF Back		1
C	BODY		1
D	LAF ARM		1
E	RAF ARM		1
F	Power cord		1
G	Screw and Nut	 1.77"*45*Φ0.23"  0.79"*M6	4 sets



# ASSEMBLY INSTRUCTIONS

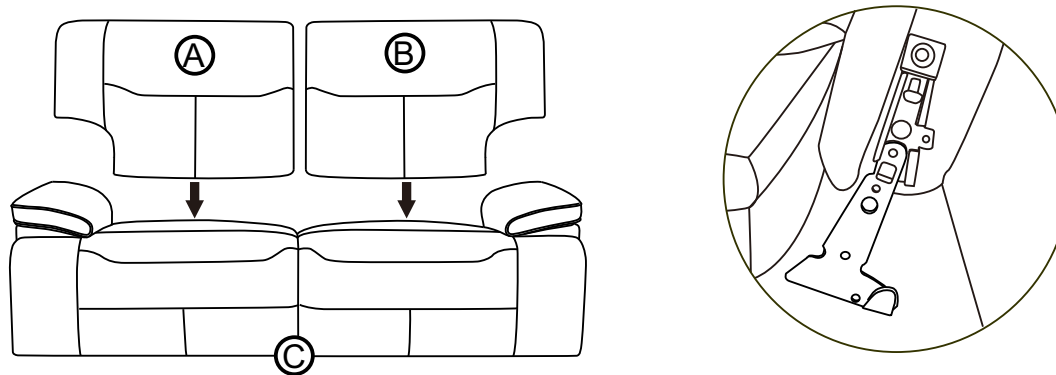
## STEP 1:

Attach 2 screws onto bottom of armrest (D), then install armrest (D) by inserting 2 screws into pre-drilled holes on arm frame of sofa body (C). Screw up nuts clockwise from bottom to fix the armrest. RAF Armrest (E) installation is same as LAF armrest(D).

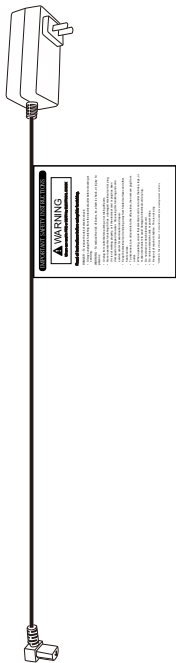
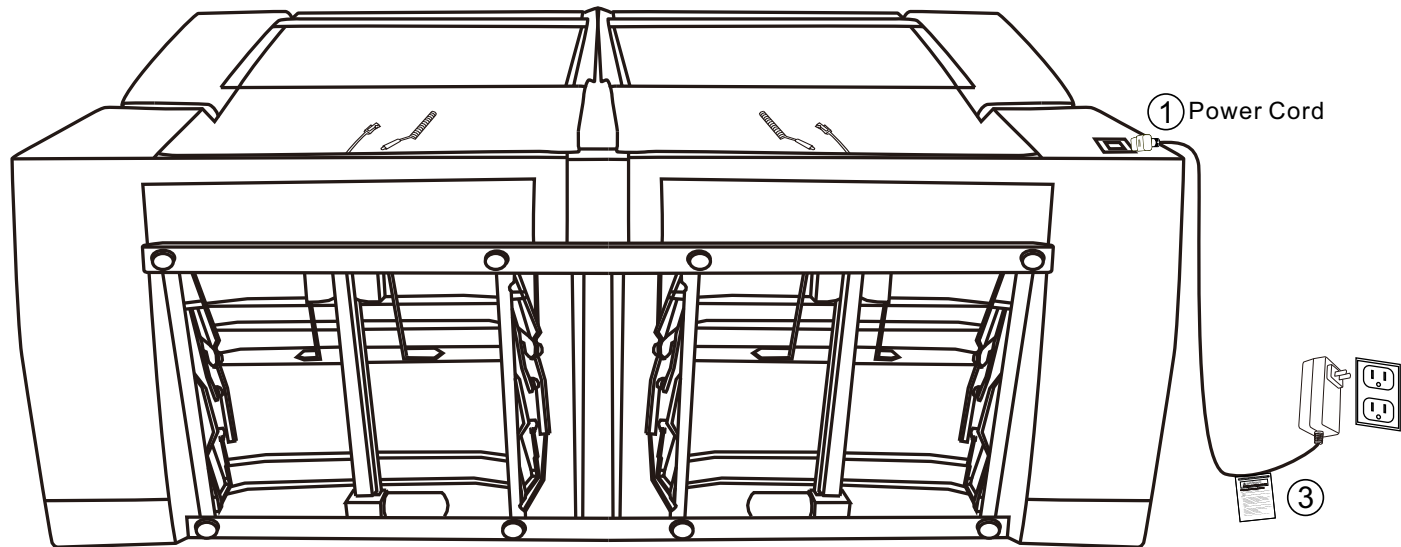


## STEP 2:

Install the Left Arm Backrest(A) into the Seat (C) by positioning the female metal receiver brackets over the male metal posts. Ensure that female metal receiver brackets on each side of the backrest are positioned over the seat metal posts. push down the female brackets over male posts simultaneously until each side is locked into place an audible “click” is heard. Install all backrests of sectional pieces in the same way described above.



# POWER CONNECTIONS



## IMPORTANT SAFETY INSTRUCTIONS

### ⚠ WARNING

Misuse can result in FIRE or DEATH by ELECTRICAL SHOCK

#### Read all instructions before using this furnishing.

**DANGER** – To reduce the risk of electric shock:

- Always unplug this furnishing from the electrical outlet before cleaning or servicing.

**WARNING** – To reduce the risk of burns, fire, electric shock, or injury to persons:

- Unplug from outlet before putting on or taking off parts.
- Never operate this furnishing if it has a damaged electrical cord or plug, if it is not working properly, or if the electrical cord or plug has been damaged or dropped into water. Stop using this furnishing and call a service center for examination and repair.
- Keep the electrical cord and plug away from heated surfaces and other heat sources.
- To disconnect, turn all controls to the off position, then remove plug from outlet.
- When operating, ensure that electrical cord is not under the base, legs, or motion mechanism to avoid damage to electrical cord or plug.
- Do not strain or stretch electrical cord.
- Do not use extension cords or power strips.
- Keep out of reach of children. This is not a toy.

## INSTRUCCIONES DE SEGURIDAD IMPORTANTES

### ⚠ WARNING

El mal uso puede provocar INCENDIO o MUERTE por DESCARGA ELÉCTRICA

#### Leer todas las instrucciones antes de usar este mobiliario.

**PELIGRO**—Para reducir el riesgo de descarga eléctrica:

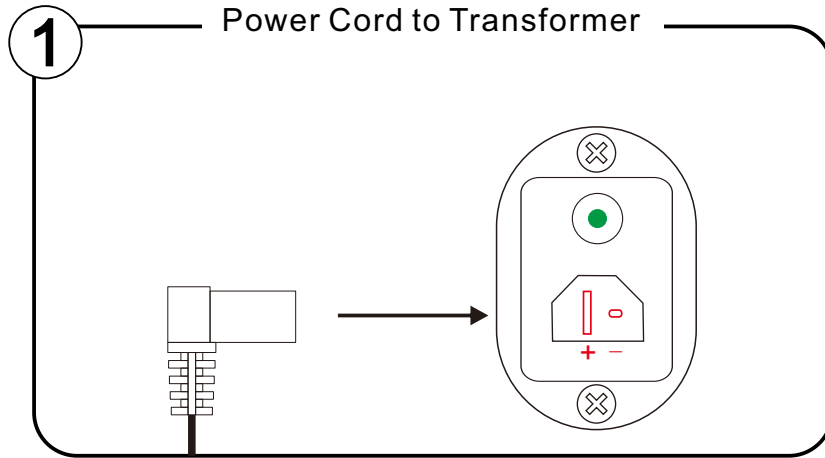
- Siempre desenchufe este accesorio de la toma de corriente eléctrica antes de limpiarlo o repararlo.

**ADVERTENCIA:** para reducir el riesgo de quemaduras, incendios, descargas eléctricas o lesiones a personas:

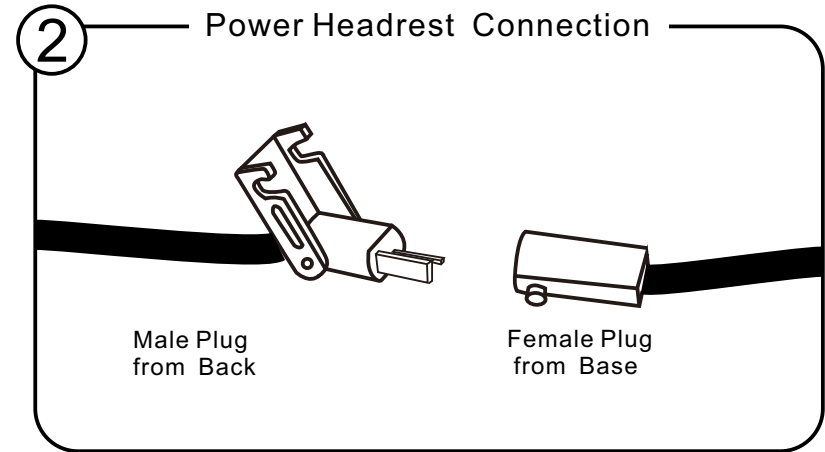
- Desenchufe del tomacorriente antes de colocar o quitar partes.
- Nunca opere este accesorio si tiene un cable o enchufe eléctrico dañado, si no funciona correctamente, o si el cable o el enchufe eléctrico se ha dañado o se ha caído al agua. Deje de usar este equipamiento y llame a un centro de servicio para que lo examinen y lo reparen.
- Mantenga el cable eléctrico y el enchufe lejos de superficies calientes y otras fuentes de calor.
- Para desconectar, gire todos los controles a la posición de apagado, luego retire el enchufe del tomacorriente.
- Al operar, asegúrese de que el cable eléctrico no esté debajo de la base, las patas o el mecanismo de movimiento para evitar dañar el cable eléctrico o el enchufe.
- No fuerce ni estire el cable eléctrico.
- No utilice cables de extensión o tomas de corriente.
- Mantener fuera del alcance de los niños. Esto no es un juguete

# POWER CONNECTIONS

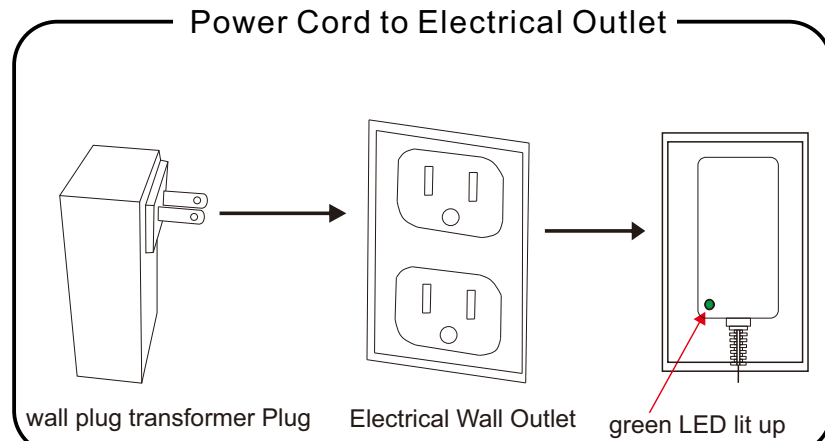
STEP 3: Connect power cord to transformer .



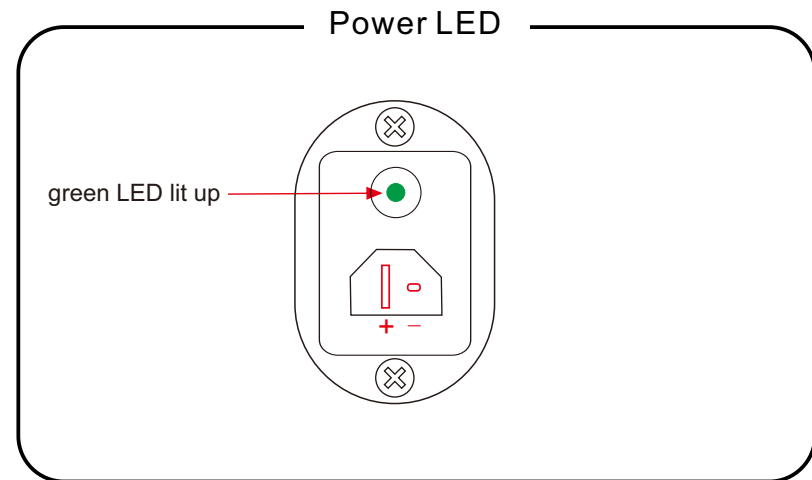
Step 4: Connect female headrest plug to male sofa base plug.



STEP 5: Connect wall plug transformer from Left Arm Seat to outlet.

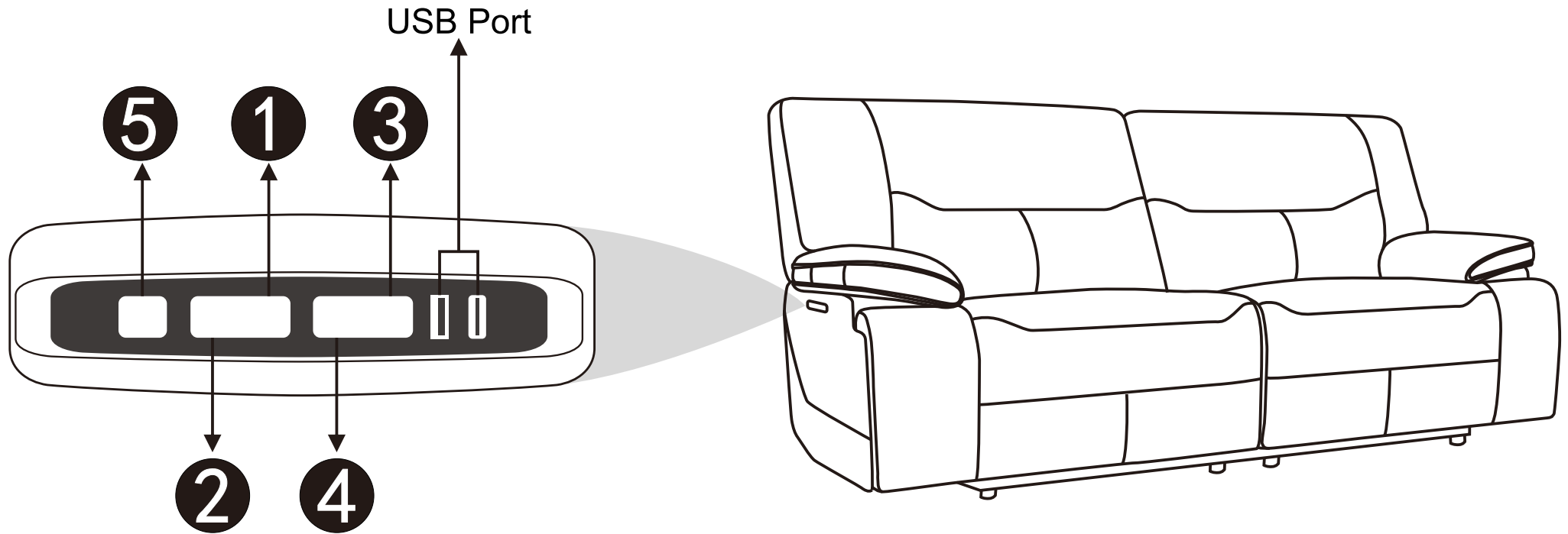


STEP 6: After all connections are made, the green LED will be lit up.



# Electrical Controls

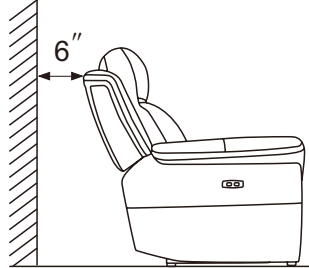
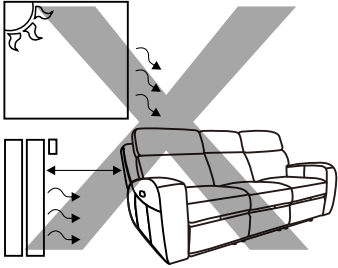
STEP 7



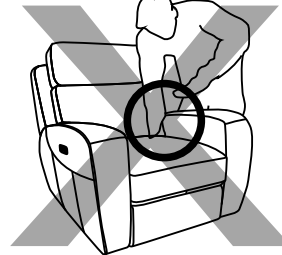
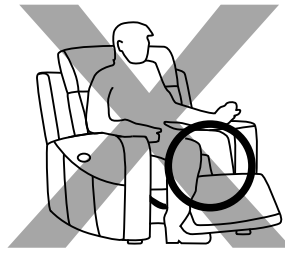
1. Press button **1** to raise the headrest forward.
2. Press button **2** to lower the headrest back.
3. Press button **3** to recline the chair to your desired position.
4. Press button **4** to raise the chair to the upright seated position.
5. Press button **5** One button reset.

# WARNINGS

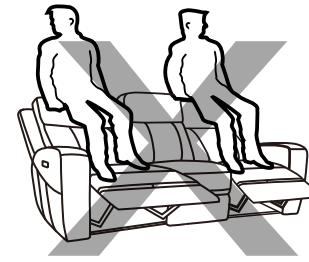
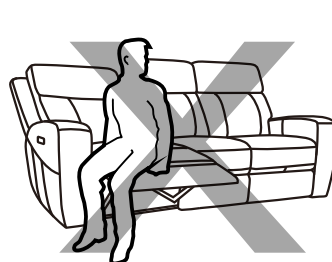
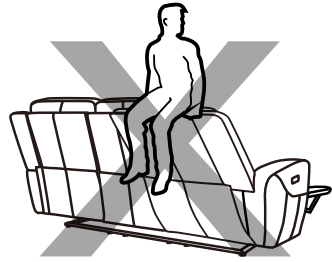
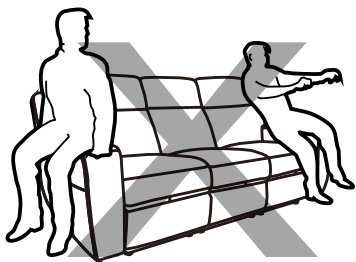
- \*Keep unit at least 24" from all heat sources.
- \*Avoid placing unit in areas where unit can be exposed to direct sunlight or other powerful light sources, as fading or discoloration may occur.
- \*Maintain minimum of 6" space between the furniture backs and wall.



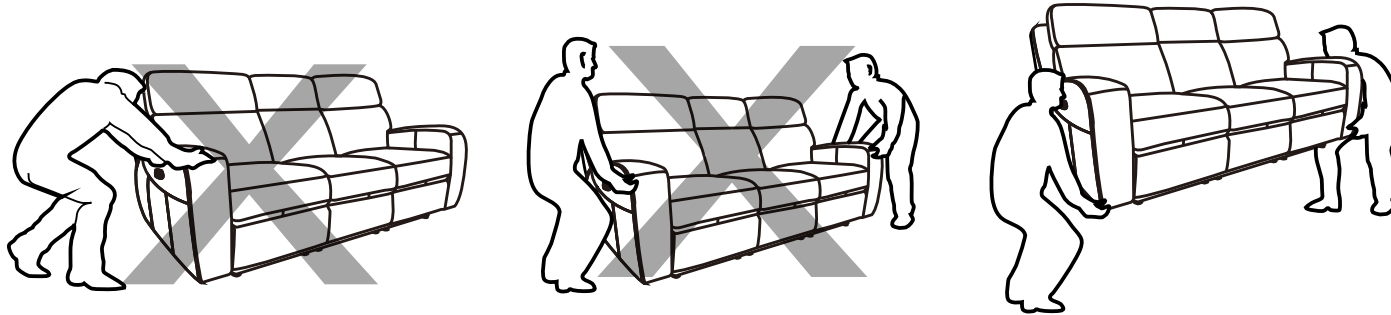
- \*Do not leave when the recliner is not fully closed.
- \*Do not reach under seat when mechanism is operating or serious injury may occur.
- \*Reclining mechanism should only be operated while seated properly.



- \*Do not sit on arms or backrest.
- \*Do not jump or roughhouse on furniture.
- \*Do not sit on the footrest when mechanism is open.



\*If unit must be moved, do not drag. Unit must be lifted in order to be moved.



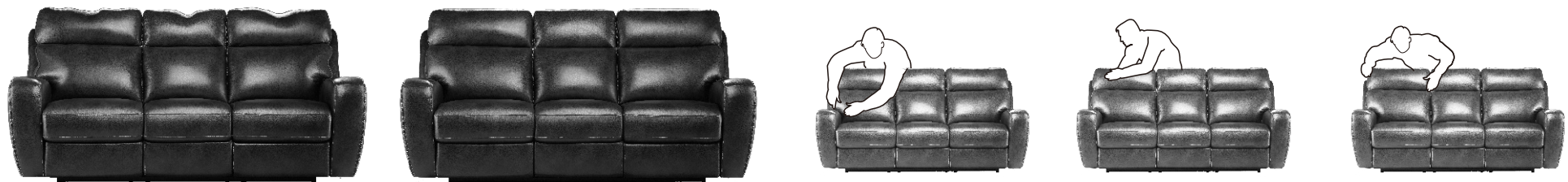
\*Do not continuously operate mechanism for more than one minute or unit may go into protection mode by shutting down to prevent overheating.

\*Unplug unit from power source prior to cleaning mechanism.

\*Do not allow electrical components to come into contact with any liquids.

## CARE AND CLEANING

\*Upholstered furniture is packaged tightly to protect it during transit. This packaging can sometimes cause creases or misshaped cushions when the furniture comes out of the packaging. These issues will correct themselves over time as the fibers of the cushions are exposed to air. However, shaping the cushions with your hands can alleviate the creases and compressed fibers more quickly.



Before shaping

After shaping

\*Dust often and use a vacuum cleaner to remove debris from seams and crevasses.

\*Use a soft damp cloth to gently clean soiled areas and wipe clean. Do not rub.

\*Do not use household cleaners or solvents. Such cleaners may cause damage and/or discoloration.

\*Do regularly use dedicated leather care product onto the leather furniture to prevent built up of body oils.



# TROUBLESHOOTING

PROBLEM	SOLUTION
No Reclining	Check all power connections (Step 3,4,5,6)
Headrest Not Working	Make sure headrest power cable is connected to chair cable (Step 3,4,5,6)
USB Not Working	Check all power connections (Step 3,5,6) verify that USB cable functioning
Backrest Gaps	Ensure the backrests are properly clipped into the male posts located on seat mechanism. (Step 2) Check that brackets are not loose, positioned improperly or bent.