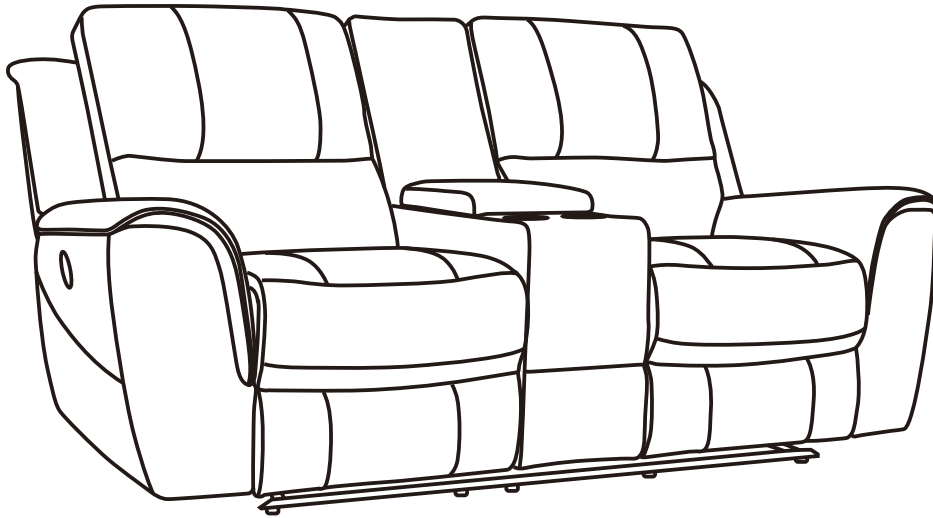




YOUZ E2877
PWR RECL CNSL LS W/PHR

SKU:15202853 SKU:15203019
SKU:15202865 SKU:15203021
SKU:15202841 SKU:15203007

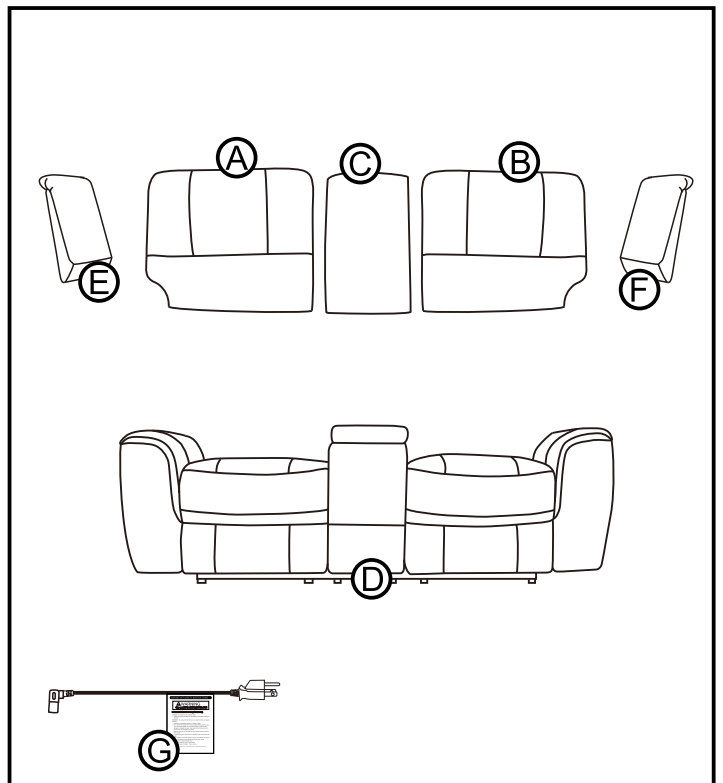
Manufactured for Rooms To Go



1

List of Parts

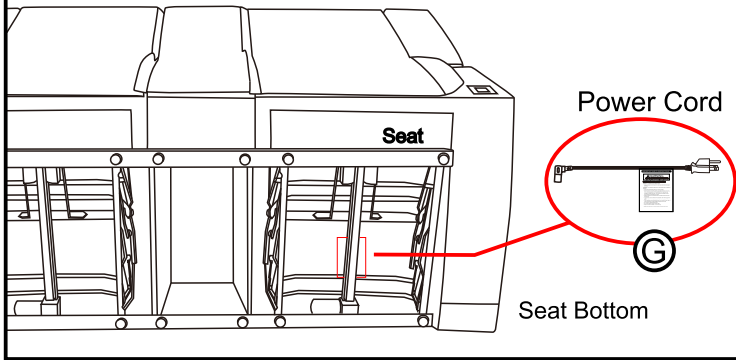
TOOLS REQUIRED:NO TOOLS REQUIRED			
PART LIST			
NO	Description	Sketch	Quantity
A	LAF Back		1
B	RAF Back		1
C	Console Back		1
D	Body		1
E	LAF Wing		1
F	RAF Wing		1
G	Power cord		1



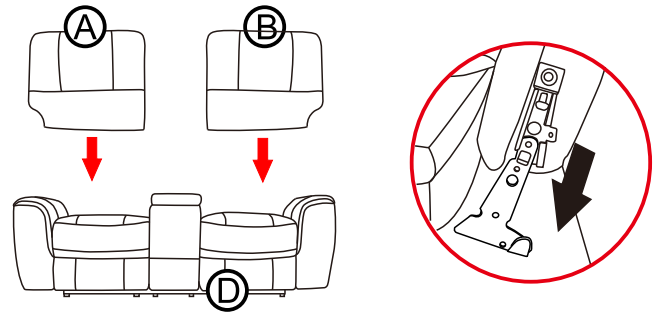
2

Parts Assembly

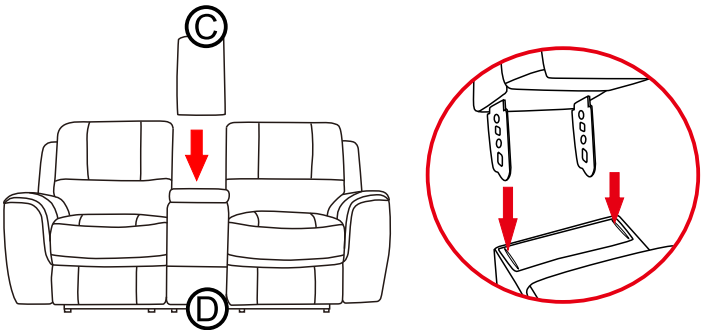
Step1 Locate the Power Cord(G) attached to power recliner loveseat console Functional rack bottom, Remove and set it to be used later.



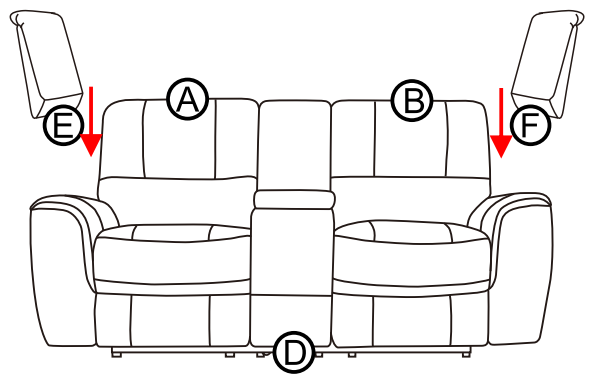
Step2 Position the Backs(A/B) with clips on over the mechanism tab at rear of Body(D) as picture below. Ensure both clips on back are aligned with tabs, then press top of back frame downward until a **clicking sound is heard**.



Step3 Position the Back(C) with clips on over the mechanism tab at rear of Body(D) as picture below. Ensure both clips on back are aligned with tabs, then press top of back frame downward until a **clicking sound is heard**.



Step4 Slide metal insert on the wings(E/F) into metal sleeve on backs(A/B) until it is completely installed.

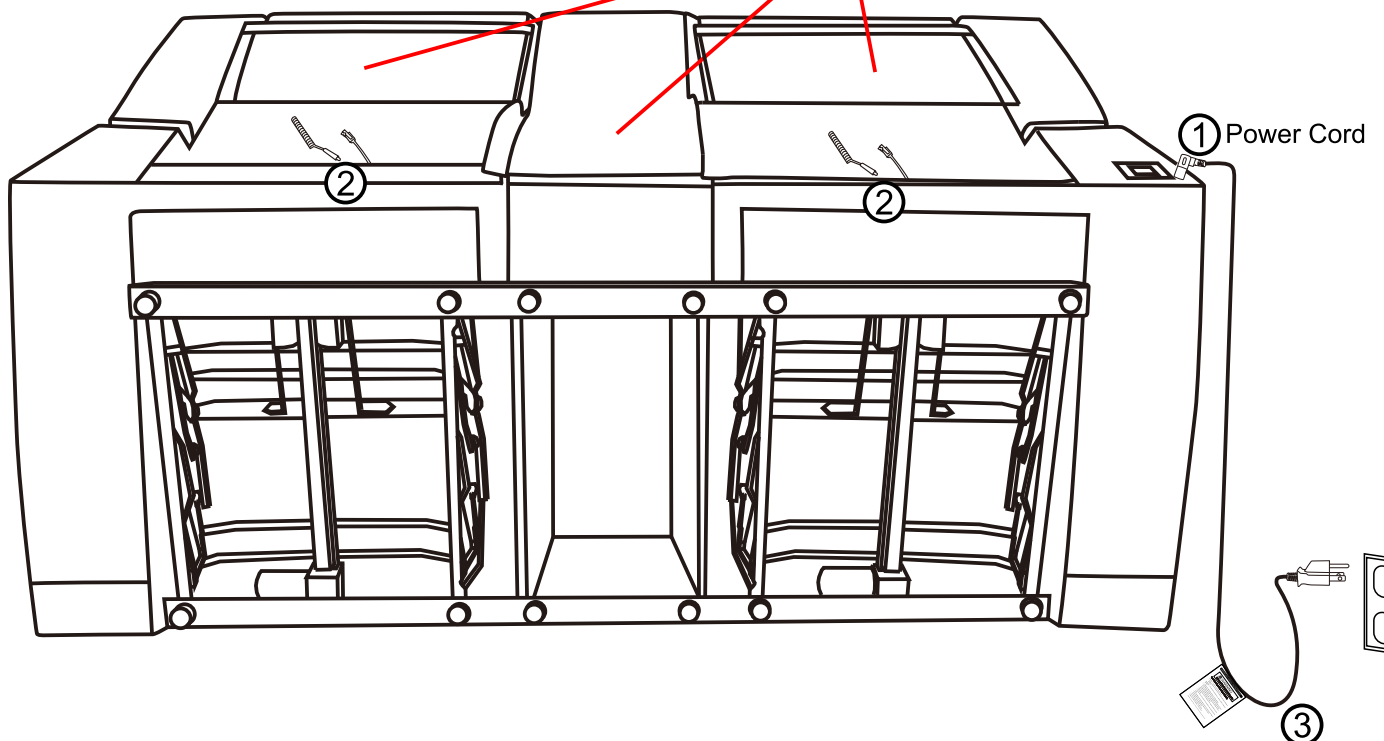


3

POWER CONNECTIONS

Step 5 Sofa tipped on its front

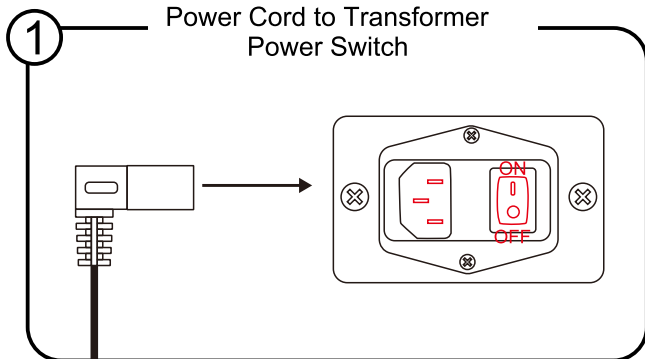
Velcroed Flaps



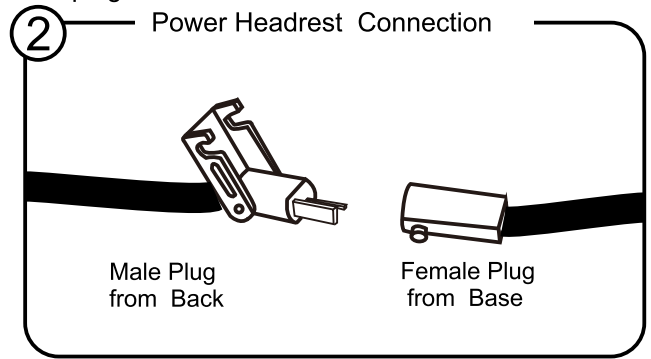
4

POWER CONNECTIONS

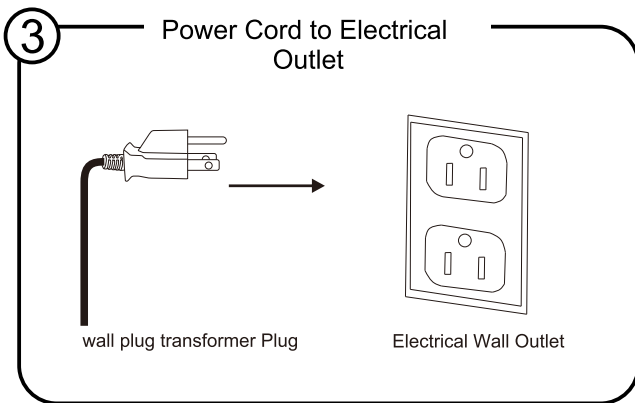
Step 6: Connect power cord to transformer switch



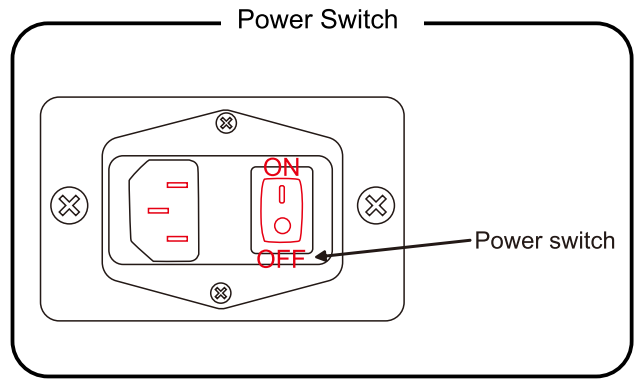
Step 7: Connect female headrest plug to male sofa base plug



Step 8: Connect power cord from power reclining loveseat to outlet



Step 9: After all connections have been made, ensure that transformer switch is switched to the "on" position.



IMPORTANT SAFETY INSTRUCTIONS

! WARNING

Misuse can result in FIRE or DEATH by ELECTRICAL SHOCK

100-240VAC/1.5A
JIANGSU MULIN INTELLIGENCE ELECTRIC CO., LTD
CL2902-A

Read all instructions before using this furnishing.

DANGER – To reduce the risk of electric shock:

- Always unplug this furnishing from the electrical outlet before cleaning or servicing.

WARNING – To reduce the risk of burns, fire, electric shock, or injury to persons:

- Unplug from outlet before putting on or taking off parts.
- Never operate this furnishing if it has a damaged electrical cord or plug, if it is not working properly, or if the electrical cord or plug has been damaged or dropped into water. Stop using this furnishing and call a service center for examination and repair.
- Keep the electrical cord and plug away from heated surfaces and other heat sources.
- To disconnect, turn all controls to the off position, then remove plug from outlet.
- When operating, ensure that electrical cord is not under the base, legs, or motion mechanism to avoid damage to electrical cord or plug.
- Do not strain or stretch electrical cord.
- Do not use extension cords or power strips.
- Keep out of reach of children. This is not a toy.
- Plug directly into a compatible electrical socket.
- Do not modify the plug or use any adapters.

Page "1"

INSTRUCCIONES DE SEGURIDAD IMPORANTES

! WARNING

El mal uso puede provocar INCENDIO o MUERTE por DESCARGA ELÉCTRICA

100-240VAC/1.5A
JIANGSU MULIN INTELLIGENCE ELECTRIC CO., LTD
CL2902-A

Leer todas las instrucciones antes de usar este mobiliario.

PELIGRO – Para reducir el riesgo de descarga eléctrica:

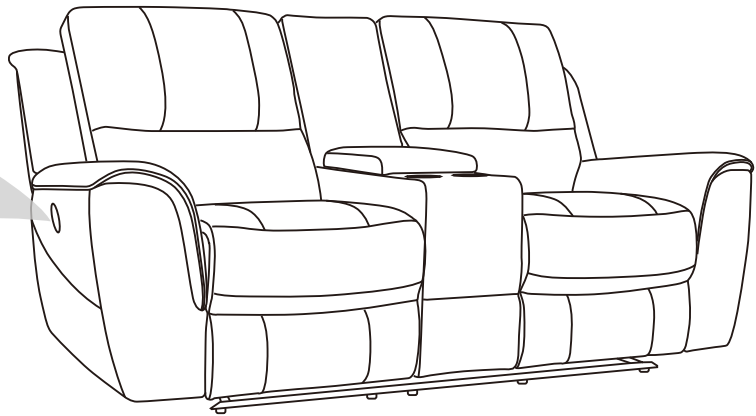
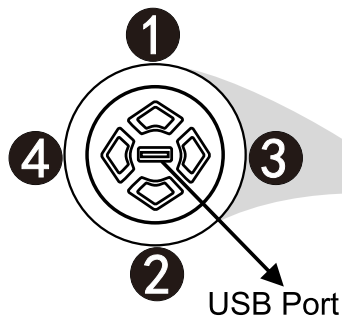
- Siempre desenchufe este accesorio de la toma de corriente eléctrica antes de limpiarlo o repararlo.

ADVERTENCIA: para reducir el riesgo de quemaduras, incendios, descargas eléctricas o lesiones a personas:

- Desenchufe del tomacorriente antes de colocar o quitar partes.
- Nunca opere este accesorio si tiene un cable o enchufe eléctrico dañado, si no funciona correctamente, o si el cable o el enchufe eléctrico se ha dañado o se ha caído al agua. Deje de usar este equipamiento y llame a un centro de servicio para que lo examinen y lo reparen.
- Mantenga el cable eléctrico y el enchufe lejos de superficies calientes y otras fuentes de calor.
- Para desconectar, gire todos los controles a la posición de apagado, luego retire el enchufe del tomacorriente.
- Al operar, asegúrese de que el cable eléctrico no esté debajo de la base, las patas o el mecanismo de movimiento para evitar dañar el cable eléctrico o el enchufe.
- No fuerce ni estire el cable eléctrico.
- No utilice cables de extensión o tomas de corriente.
- Mantener fuera del alcance de los niños. Esto no es un juguete.
- Enchúfelo directamente a una toma de corriente compatible.
- No modifique el enchufe ni utilice adaptadores.

Page "1"

Electrical Controls

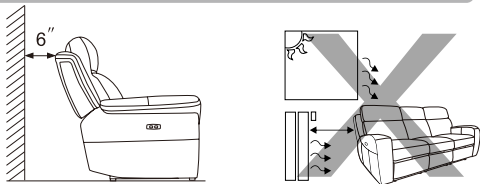


1. Press button **1** to raise the headrest forward.
2. Press button **2** to lower the headrest back.
3. Press button **3** to recline the chair to your desired position.
4. Press button **4** to raise the chair to the upright seated position.

7

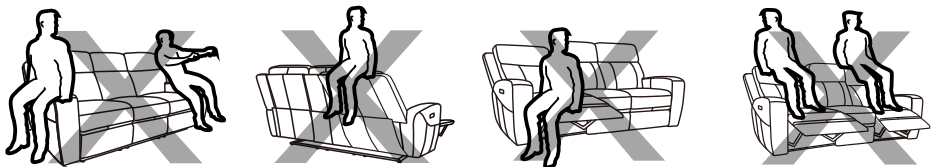
Points For Attention

- Please keep the sofa at least 20" away from heat producers, such as heating equipment and radiator.
- Please avoid placing the sofa under strong sun or strong lamplight to remain its original color.
- Maintain minimum of 6" space between the furniture backs and wall.



The frame inside your sofa will always remain intact and strong over time, providing you comply with the following recommendations:

- Avoid jumping on the sofa and do not throw yourself violently onto the sofa.
- Do not sit on the arms and/or the Back.
- Do not sit on the footrest when mechanism is open.



- Do not leave when the recliner is not fully closed.
- Please do not use solvents to clean the metal parts of the mechanism: a damp cloth is sufficient.
- Please do not allow children to play with the Mechanism.
- Please use the mechanism only when the person seats himself properly instead of sideways or forwards.
- Do not touch the mechanical parts.
- Please do not continuously use the electric motor that control the reclining function of on-and-off over one minute. This action could cause the motor to cut-off due to overheating. Allow the system to cool down for 5 minutes to restore the motor to correct working order.
- Please remove the plug before cleaning the mechanism or performing other operations on it.
- Please do not drag sofa on rough or smooth surface. If the sofa needs to be moved, it must be lifted up but not pushed.



8

- The sofa requires no special but normal maintenance, so does the padding material.
- If your sofa is with fabric filler or down feather padding, you will need to shape its cushions carefully to make them restore to their original shapes, because long way transportation will make the cushions out of shape.
- In fact, the long journey which the sofa is subjected to before reaching your home could temporarily affect the sofa's initial beauty.



Before shaping



After shaping



Care and Cleaning

Dust often and use a vacuum cleaner to clean seams. To maintain the fabric appearance, gently clean soiled areas with soft cloth dampened with water. Wipe with a clean, damp surface (do not rub).

Spot Cleaning Fabric: Blot any spills immediately; do not rub. Blot away the excess liquid with a clean, dry, white cloth; turning the cloth frequently.

Do not use common household cleaners, solvents, or dry cleaning fluids on fabric furniture. These cleaners may cause damage and color fading.

Do not use or place sharp objects on upholstered furniture.

Do not place furniture in direct sunlight and keep furniture at least 60cm/2 ft from heat sources to avoid fading.



PROBLEM	SOLUTION
No power	Check all power connections (Step 6,8,9)
No Reclining	Check all power connections (Step 6,8,9)
Headrest Not Working	Make sure headrest power cable is connected to chair cable (Step 6,7,8,9)
Lights Not Working	Check all power connections (Step 6,8,9)
USB Not Charging	Check all power connections (Step 6,8,9) verify that USB cable functioning
Backrest Uneven	Ensure that installed and locked in position brackets are installed (Step 2,3,4)