


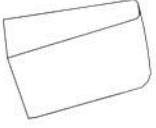

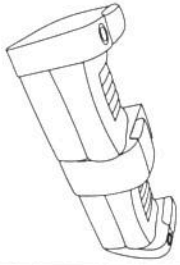



## Assembly Instructions

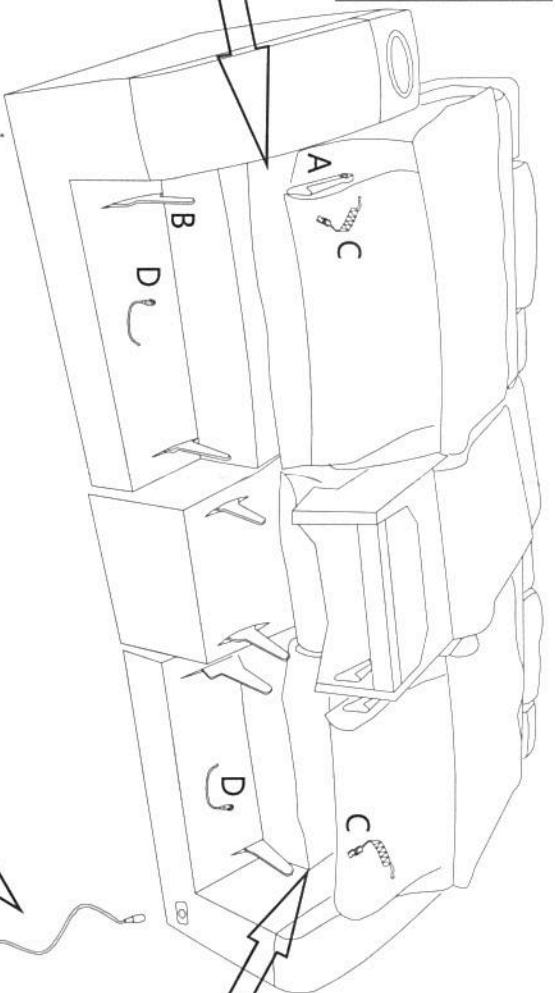
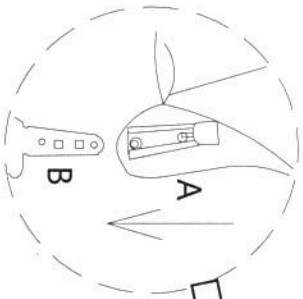
SYNE 1891-73PHR Reclining Console Loveseat w/Pwr headrest

SKU# 15218945 15218921 15218945 15218957

**\*\*\*CAUTION:** The item is heavy, assembly should be performed by two people.  
Parts and Hardware List

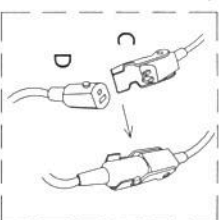
No	Description	Image	Qty	No	Description	Image	Qty
A	LSF Back Cushion		1	B	Center Back Cushion		1
C	RSF Back Cushion		1	D	Loveseat Recliner Base		1
E	Transformer		1				

**Step 2**  
Slide the metal receiver over the metal post. Press both sides of back firmly downward until locked in place.

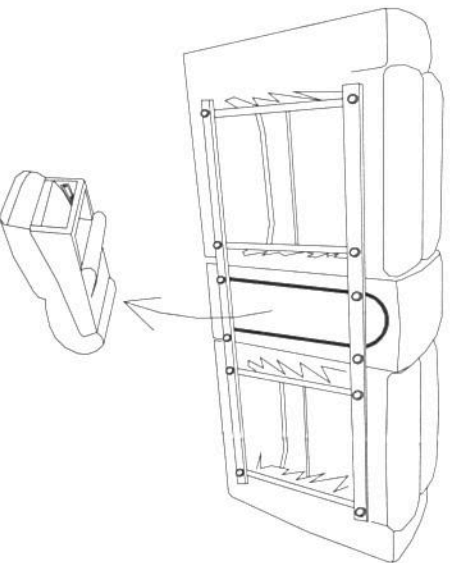


**Step 4**  
The Transformer is attached to the bottom of rail and connect to DC Port located at the rear of arm.

**Step 3**  
Locate the power cord C attached to the bottom back and connect to plug D located at the rear of seat.



**Step 1 . Console back (If applicable)**  
Remove the console back from the bottom of the console.



**Note:** Make sure all PLUGS are connected on the product before plugging power cord into power outlet. If not damage can occur.  
The USB ports (where applicable) are designed with working voltage of 5V, and can NOT be used to supply power for laptop computers (neither PC or Mac). Plugging a laptop computer to the USB port may end up damaging either the computer or the USB port due to unmatched working voltage.