


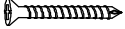



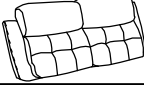



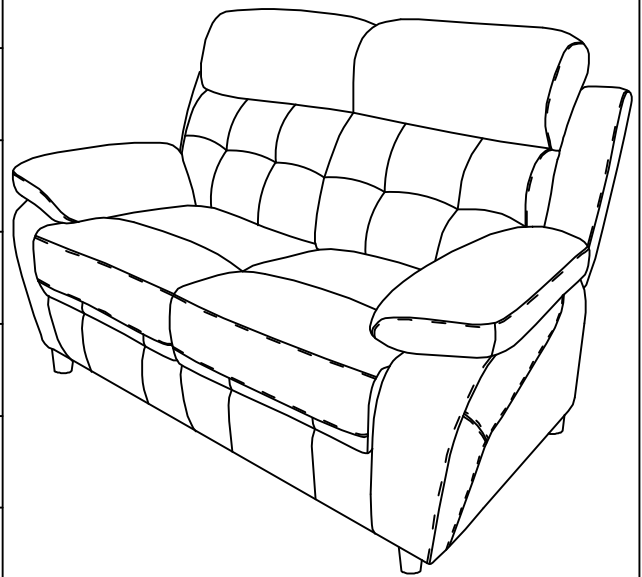
# Assembly Instructions



SWSU NF-REC 1123 STAT LOVESEAT SKU#15311234

Manufactured for Rooms To Go

No	Description	Hardware	Q'TY
A	Stub M8 X 90MM		4 Pcs
B	M8 x 32mm Diameter Thread Clamping Star knob		4 Pcs
C	Plastic Leg 55mm		4 Pcs
D	CSK Screw M4 x 50mm		4 Pcs
E	Flat Washer M6 x 13mm		4 Pcs
F	Left Arm Pillow		1 Pc
G	Right Arm Pillow		1 Pc
H	Backrest		1 Pc
I	Seat		1 Pc





# Assembly Instructions

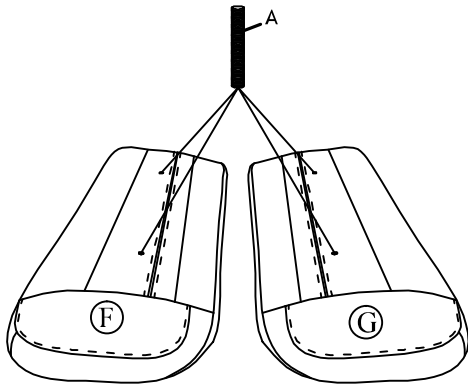
SWSU NF-REC 1123 STAT LOVESEAT SKU#15311234

Manufactured for Rooms To Go

\*\*\*Caution: Please read all instructions carefully before starting the assembly process. These parts are cumbersome and heavy. Therefore, two people are recommended in order to prevent personal injury and insure the parts are not damaged during the assembly.

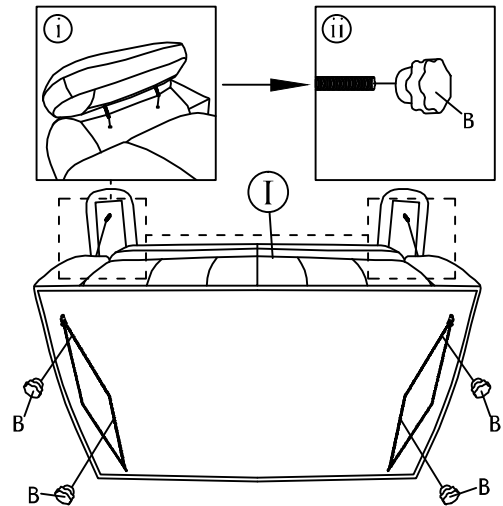
## Step 1:

\*Tie up the stub into the arm pillow and center backrest.



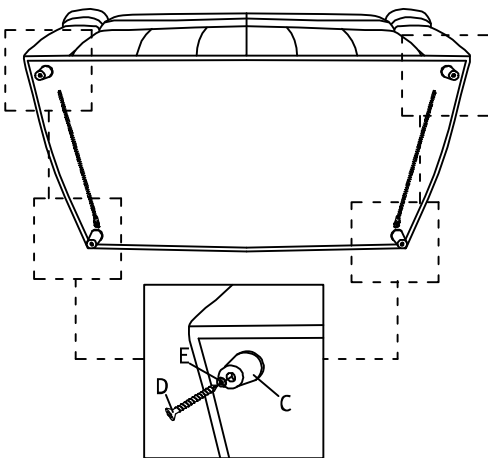
## Step 2:

- ① Place the arm pillow Right into the arm rest.
- ② Tighten up part A with part B.



## Step 3:

\*Tighten the C, D, E to the bottom seat.



## Step 4:

\*Install the backrest H by positioning the female metal receiver bracket over the male metal posts.

