



Assembly Instructions For Air Massage K2092B-85PHR-AIR

SKU#15329926/15329940/15329938

*****CAUTION: The item is heavy, assembly should be performed by two people in soft surface.**

Parts#	Desc.	Pattern	Q'ty	Parts#	Desc.	Pattern	Q'ty
A	Wash		4 pieces	B	Plum nut		4 pieces
C	Bolt (M8*3.14", 18 threads per inch)		4 pieces	D	Transformer		1 pieces

1) The bolts package with a sticker "hardware" is attached to the bottom of base rail.(See Figure 1)

2) Attached each bolt to corresponding pre-drilled holes by hand turning on clockwise direction as figure underneath. (See Figure 2) Please attached to Screw the shorter threaded end of the bolt into the armrest and follow the arrow direction to Insert the longer threaded end of the bolt into the hole in the base (Figure 3).

3) Please place the washers and Plum nut into the bolt as show by hand and then turning in clochwise direction until it is tight.(See Figure 3)

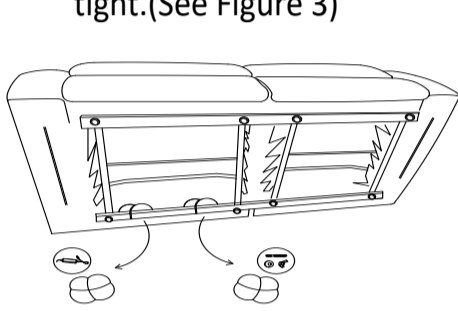


Figure 1

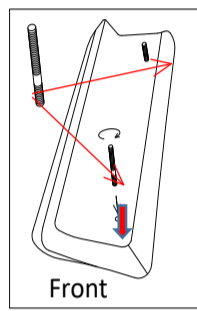


Figure 2

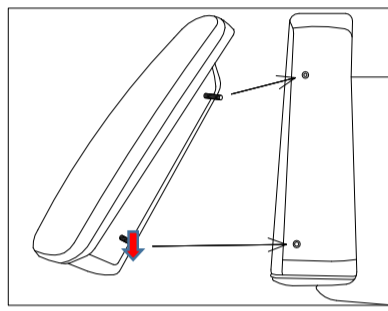


Figure 3

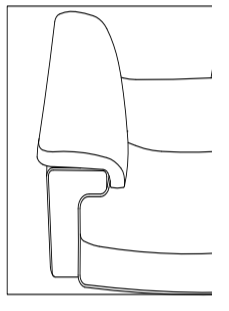
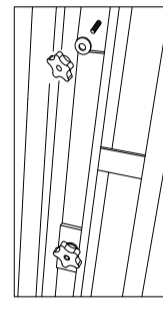
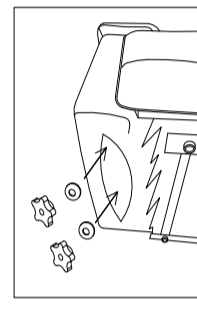
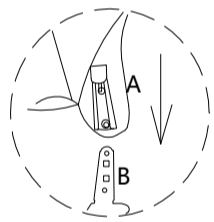
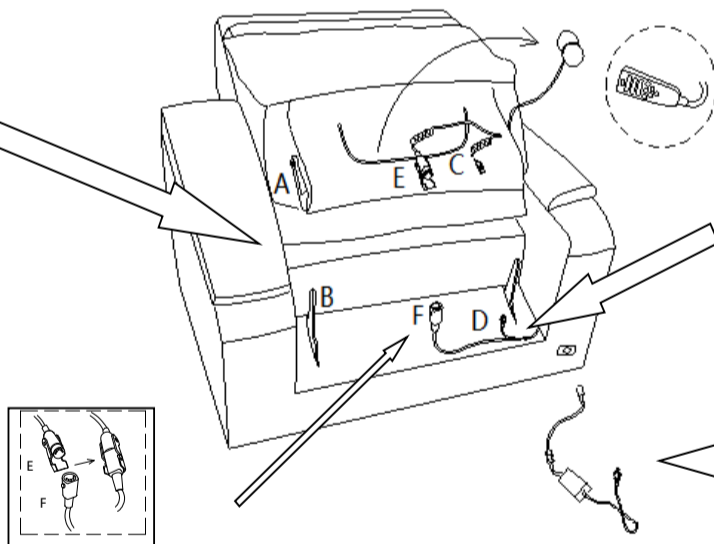


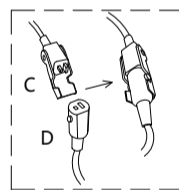
Figure 4



Step 2
Slide the metal receiver over the metal post.Press both sides of back firmly downward until locked in place.



Step 1
The hand controller are located inside the compartment of backrest. Open the zipper underneath the back cushion to reveal them.

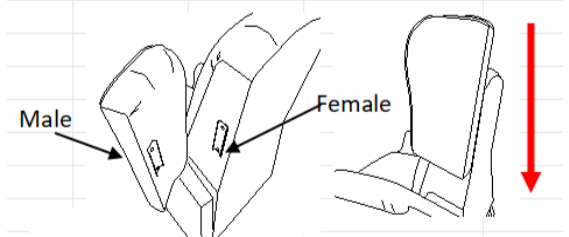


Step3
Locate the power cord C attached to the bottom back and connect to plug D located at the rear of seat.

Step 5
The Transformer is attached to the bottom of rail and connect to DC Port located at the rear of arm.

Step 4
Locate the power cord E attached to the bottom back and connect to plug F located at the rear of seat.

Step 7: Apply The Wings
Insert the male KD Bracket into the slot of the female Bracket pressing firmly downward until the frame is tight.



WARNING
Misuse can result in FIRE or DEATH by ELECTRICAL SHOCK

Read all instructions before using this furnishing.

DANGER – To reduce the risk of electric shock
1. Always unplug this furnishing from the electrical outlet before cleaning or servicing.

WARNING – To reduce the risk of burns, fire, electric shock, or injury to persons:

1. Unplug from outlet before putting on or taking off parts.
2. Never operate this furnishing if it has a damaged electrical cord or plug, if it is not working properly, or if the electrical cord or plug has been damaged or dropped into water. Stop using this furnishing and call a service center for examination and repair.
3. Keep the electrical cord and plug away from heated surfaces and other heat sources.
4. To disconnect, turn all controls to the off position, then remove plug from outlet.
5. When operating, ensure that electrical cord is not under the base, legs, or motion mechanism to avoid damage to electrical cord or plug.
6. Do not strain or stretch electrical cord.
7. Do not use extension cords or power strips.
8. Keep out of reach of children. This is not a toy.

WARNING
El mal uso puede provocar INCENDIO o MUERTE por DESCARGA ELÉCTRICA

Leer todas las instrucciones antes de usar este mobiliario.

PELIGRO – Para reducir el riesgo de descarga eléctrica:
1. Siempre desenchufe este accesorio de la toma de corriente eléctrica antes de limpiarlo o repararlo.

ADVERTENCIA: para reducir el riesgo de quemaduras, incendios, descargas eléctricas o lesiones a personas:

1. Desenchufe del tomacorriente antes de colocar o quitar partes.
2. Nunca opere este accesorio si tiene un cable o enchufe eléctrico dañado, si no funciona correctamente, o si el cable o el enchufe eléctrico se ha dañado o se ha caído al agua. Deje de usar este equipamiento y llame a un centro de servicio para que lo examinen y lo reparen.
3. Mantenga el cable eléctrico y el enchufe lejos de superficies calientes y otras fuentes de calor.
4. Para desconectar, gire todos los controles a la posición de apagado, luego retire el enchufe del tomacorriente.
5. Al operar, asegúrese de que el cable eléctrico no esté debajo de la base, las patas o el mecanismo de movimiento para evitar dañar el cable eléctrico o el enchufe.
6. No fuerce ni estire el cable eléctrico.
7. No utilizar cables de extensión o tomas de corriente.
8. Mantener fuera del alcance de los niños. Esto no es un juguete

Note: Make sure all PLUGS are connected on the product before plugging power cord into power outlet. If not damage can occur. The USB ports (where applicable) are designed with working voltage of 5V, and can NOT be used to supply power for laptop computers (neither PC or Mac). Plugging a laptop computer to the USB port may end up damaging either the computer or the USB port due to unmatched working voltage.