



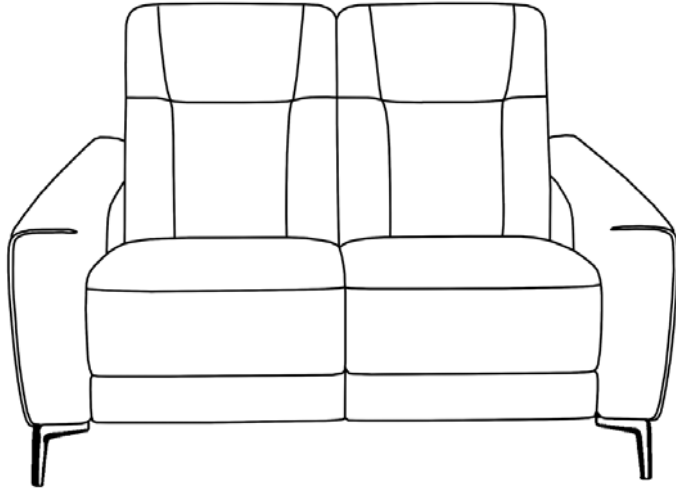
# ASSEMBLY INSTRUCTION

## STATIONARY LOVESEAT

HLVN 77991 / 77992 / 77993 / 77994

Manufactured for Rooms To Go

**IMPORTANT: ASSEMBLING THIS UNIT NEEDS MINIMUM 2 PERSONS**



HLVN SKU:

77991-02 15377991

77992-02 15377989

77993-02 15377965

77994-02 15377953

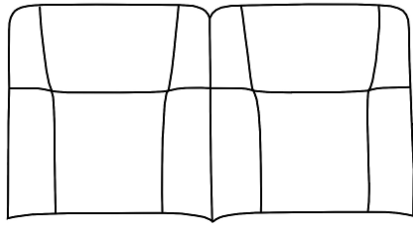
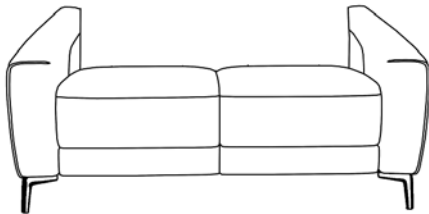


### Tools Required



Phillips Driver

**SCREWDRIVER NOT INCLUDED**

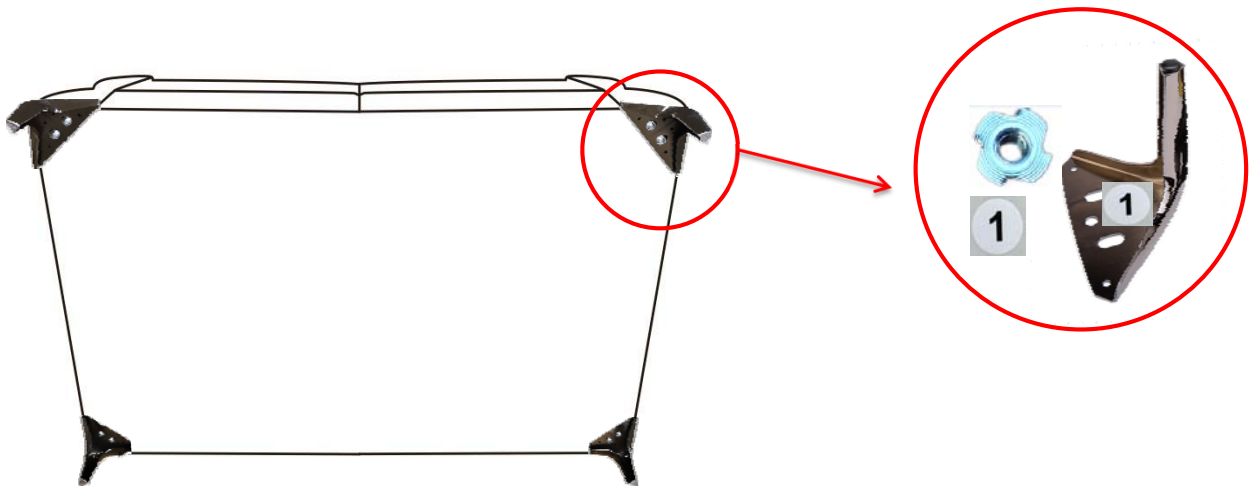
## LIST OF PARTS

NO.	Description	Item	Quantity
A	Backrest		1
B	Seat		1
C	Metal Leg		4
D	Bolt 5/16-20x1-3/16"		8

## ASSEMBLY INSTRUCTIONS

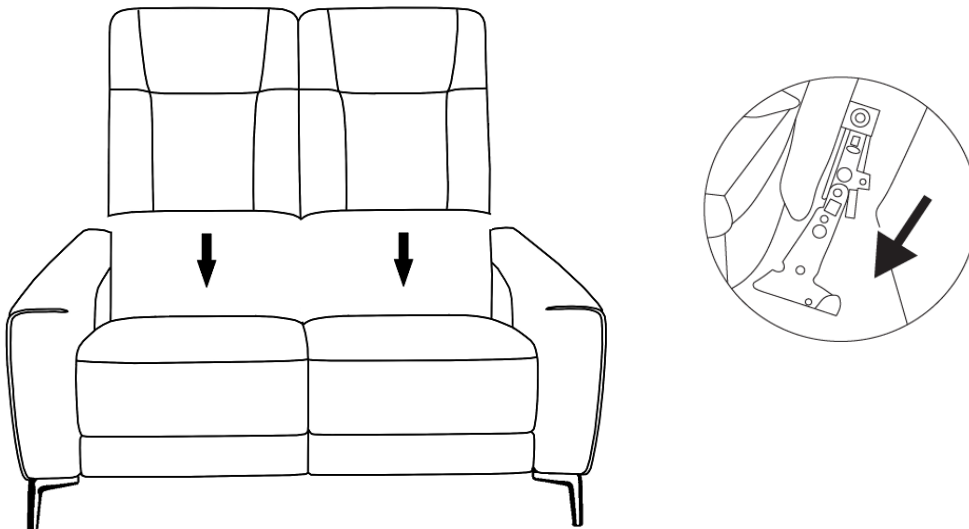
**Step 1:** Take out carefully the back cushions & inner carton from the packing.

**Step 2:** With seat cushion facing upside down. Attach 4 pcs metal legs (using 2 bolts per leg).



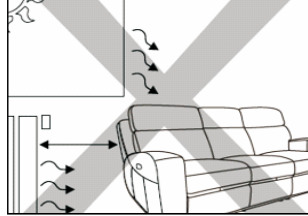
**Step 3:** Flip platform and cushion over so it is right side up. Test the sofa to make sure that it is level and sitting evenly on the floor.

**Step 4:** Place seat back cushions accordingly.  
Allow sufficient space between stationary loveseat and the wall behind it.

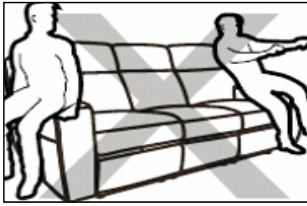


## WARNINGS

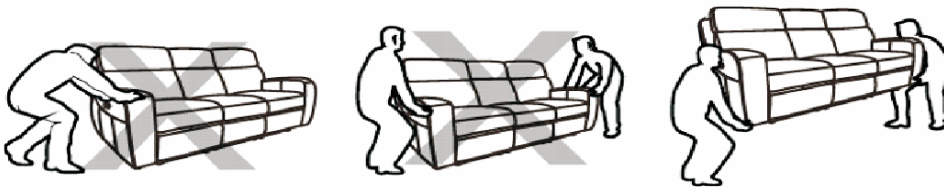
- \* Keep unit at least 24" from all heat sources.
- \* Avoid placing unit in areas where unit can be exposed to direct sunlight other powerful light sources, as fading or discoloration may occur.



- \* Do not sit on arms or backrest.
- \* Do not jump or roughhouse on furniture.



- \* If unit must be moved, do not drag. Unit must be lifted in order to be moved.



## CARE AND CLEANING

- \* Upholstered furniture is packaged tightly to protect it during transit. This packaging can sometimes cause creases or misshaped cushions when the furniture comes out of the packaging. These issues will correct themselves over time as the fibers of the cushions are exposed to air. However, shaping the cushions with your hands can alleviate the creases and compressed fibers more quickly.



- \* Use a vacuum cleaner to remove dust and debris from seams and crevasses.
- \* Use a soft damp cloth to gently clean soiled areas and wipe clean. Do not rub.
- \* Do not use household cleaners or solvents. Such cleaners may cause damage and/or discoloration.
- \* Do regularly use dedicated leather care product onto the leather furniture to prevent built up of body oils.

## TROUBLE SHOOTING

PROBLEM	SOLUTION
Backrests gaps	Ensure the backrests are properly clipped into the male posts located on seat frame. Check that brackets are not loose, positioned improperly or bent.