









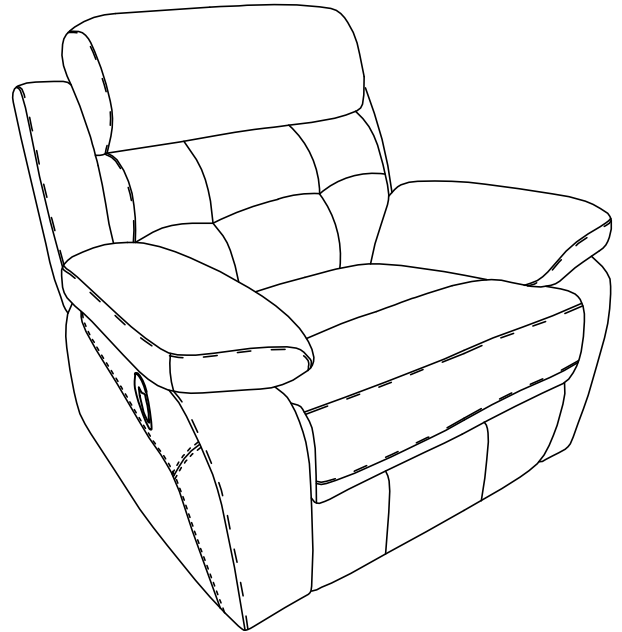
Manufactured for Rooms To Go

# Assembly Instructions

SWSU 1123 ROCKER RECLINER

SKU#11511234  
SKU#15511238  
SKU#15511240  
SKU#15511252  
SKU#15511264  
SKU#15511276

No	Description	Hardware	Q'TY
A	Stud M8 X 90MM		4 Pcs
B	M8 x 32mm Diameter Thread Clamping Star knob		4 Pcs
C	Left Arm Pillow		1 Pc
D	Right Arm Pillow		1 Pc
E	Backrest		1 Pc
F	Seat		1 Pc





Manufactured for Rooms To Go

# Assembly Instructions

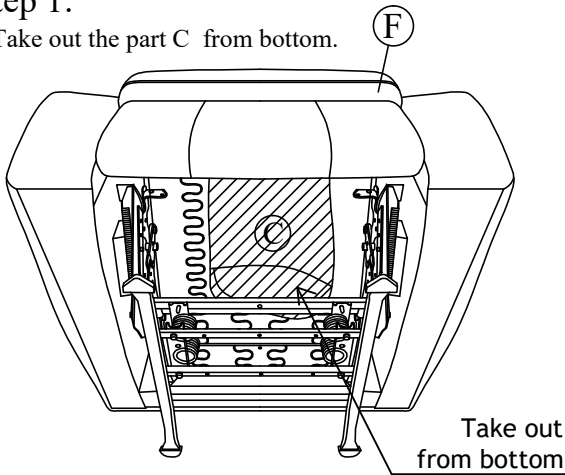
## SWSU 1123 ROCKER RECLINER

SKU#11511234  
SKU#15511238  
SKU#15511240  
SKU#15511252  
SKU#15511264  
SKU#15511276

**\*\*\*Caution:** Please read all instructions carefully before starting the assembly process. These parts are cumbersome and heavy. Therefore, two people are recommended in order to prevent personal injury and insure the parts are not damaged during the assembly.

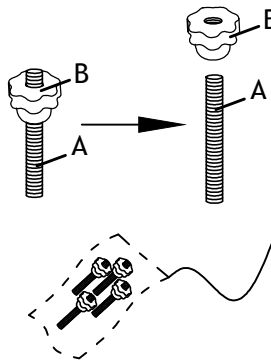
### Step 1:

\*Take out the part C from bottom.



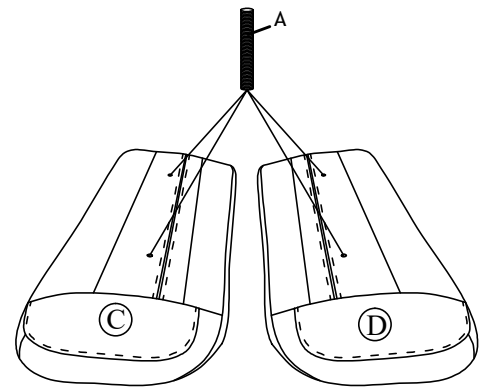
### Step 2:

\*Remove part B from part A.



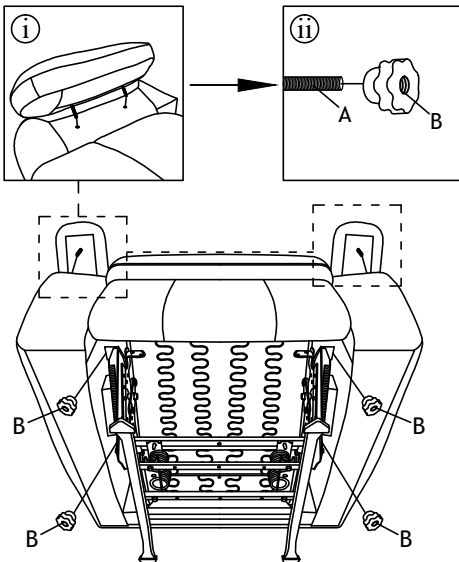
### Step 3:

\*Install part A into the arm pillow.



### Step 4:

- i Place the arm pillow Right into the arm rest.
- ii Tight up part A with part B.



### Step 4:

\*Install the backrest E by positioning the female metal receiver bracket over the male metal posts.

