
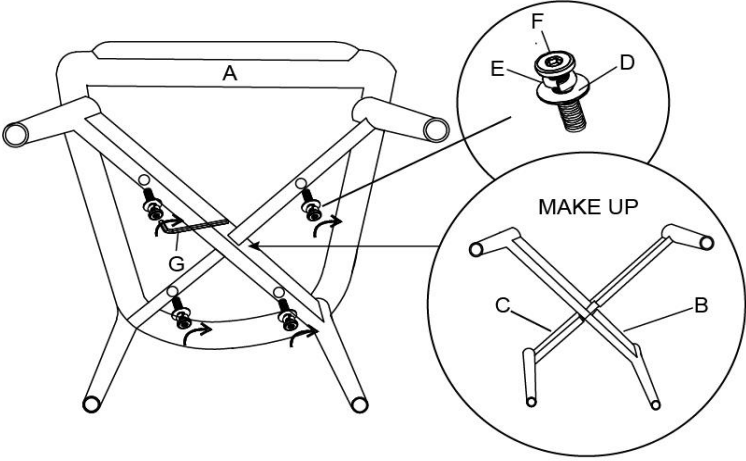
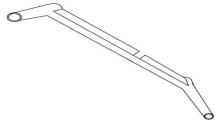


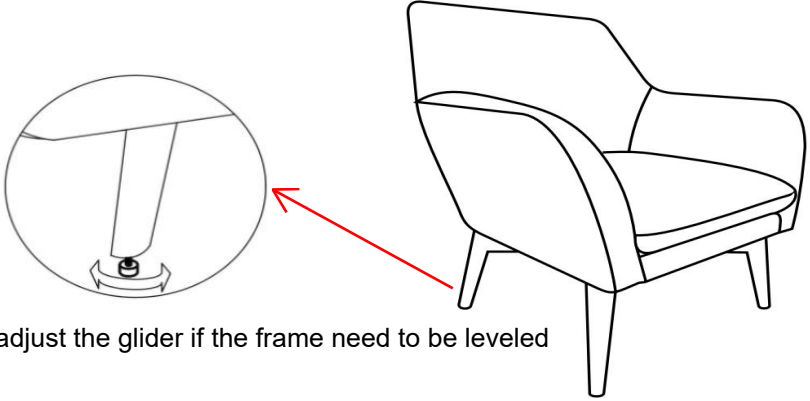





ASSEMBLY INSTRUCTIONS

Chair

ITEM NO: 8043

<p>A Body</p>		<p>1PC</p>	 <p>①</p>	
<p>B Wooden frame</p>		<p>1PC</p>		
<p>C Wooden frame</p>		<p>1PC</p>		
<p>D Flat Washer</p>	<p>Φ5/16"*22mm</p>		<p>4PCS</p>	 <p>Please adjust the glider if the frame need to be leveled</p> <p>②</p>
<p>E Spring Washer</p>	<p>Φ5/16"</p>		<p>4PCS</p>	
<p>F Bolt</p>	<p>Φ5/16"*3-1/2"</p>		<p>4PCS</p>	
<p>G Allen Key</p>	<p>6mm</p>		<p>1PC</p>	
<p>NOTE: 1: MAXIMUM WEIGHT LIMIT 330LBS</p>				