

ASSEMBLY INSTRUCTIONS

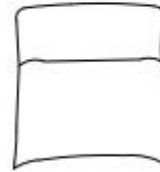
ITEM NO: 8022

PUSH BACK RECLINER

A*1
BODY



B

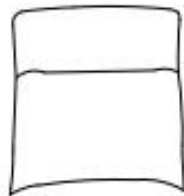


A



1

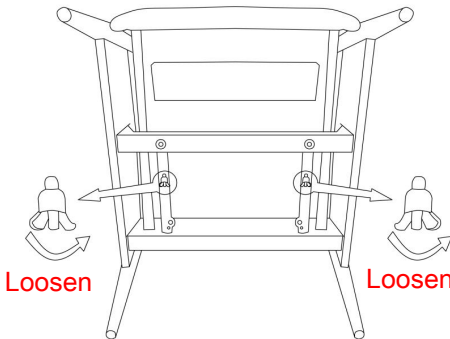
B*1
BACK



2



RECLINER BACK TENSION ADJUSTMENT



If you find pushing back to a reclining position requires more "push" than expected the tension on the springs can be adjusted for ease of push back. Carefully lay the recliner back on the ground to access the bottom. To loosen turn the wing nuts counter clockwise. The manufacturer suggests turning each wing nut one complete turn counter clockwise then test the recliner back push by sitting in the recliner and going to the reclining position. Repeat as needed. DO NOT turn the wing nuts so many times that the spring falls off.

If needed, spring can be removed to eliminate the push back tension .

Thank you for your purchase.

NOTE: 1: MAXIMUM WEIGHT LIMIT 330LBS