

ASSEMBLY INSTRUCTIONS

Description: Lounge




Important safety instructions:

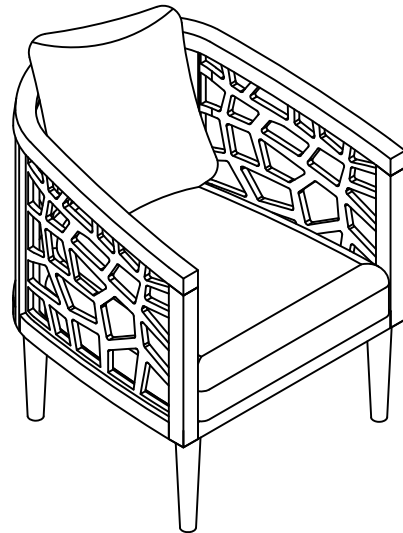
- Please carefully read all instructions before assembling the Lounge.
- For your safety and ease, assembly by two or more adults is recommended.
- Keep instructions for future use.

Pre-assembly:

- Do not discard any contents until after assembly is complete to avoid accidentally discarding small parts or hardware.
- Remove all parts and hardware from box along with any plastic protective packaging.

Parts List

Item	Description	QTY
A	Chair Top 	1
B	Legs 	4
C	Pillow 	1



Assembly Procedures:

Step 1. Assemble the lounge on a flat, soft surface such as a carpet or cloth to prevent scratching the finish. Attach each leg (B) to the bottom of lounge top (A).

