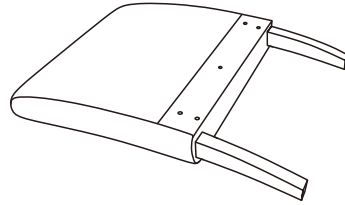


PARTS LIST / LISTE DES PIÈCES / LISTA DE PIEZAS

ITEM NO./NO D'ARTICLE./ARTICULO NO: DS-2661-270-410A
DS-D532-700-1 / 2 / 3

DESCRIPTION/ LA DESCRIPTION/ DESCRIPCIÓN: Dining Chair Swirl Floral / Slipper Chair - Kana Blue / Biba Dove / Otto Indigo
/ Chaises de salle à manger / Sillas de comedor



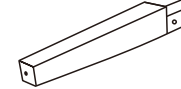
1

x1 Chair Back*
x1 Dossier de chaise
x1 Respaldo de silla



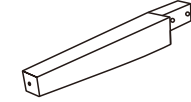
2

x1 Chair Seat*
x1 Siège de chaise
x1 Asiento de silla



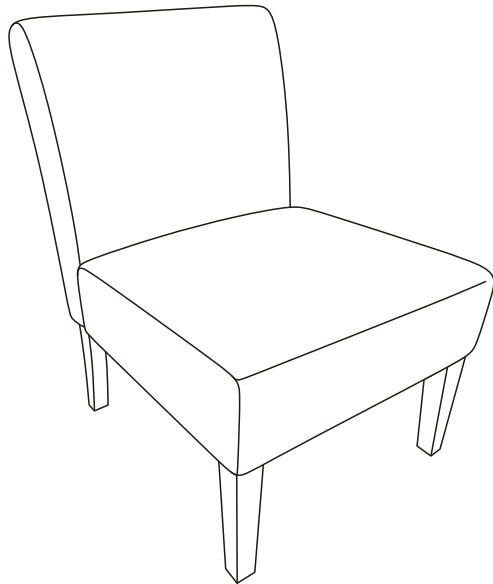
3

x1 Left Leg*
x1 Patte gauche
x1 Pata izquierda



4

x1 Right Leg*
x1 Patte droite
x1 Pata derecha



A

x9 Allen bolt (M6 x 60mm)*
x9 Vis a tete creuse hexagonale (M6 x 60mm)
x9 Perno Allen (M6 x 60mm)



B

x9 Spring Washer M6*
x9 Rondelle à ressort M6
x9 Arandela auto-bloquante M6



C

x9 Flat Washer M6*
x9 Rondelle Plate M6
x9 Arandela Plana M6



D

x1 Allen Wrench M4*
x1 Clé Hexagonale M4
x1 Llave Allen M4

**Replaceable Part*

ASSEMBLY INSTRUCTIONS/ NOTICE DE MONTAGE/ INSTRUCCIONES DE MONTAJE

ITEM NO./NO D'ARTICLE./ARTICULO NO: DS-2661-270-410A
DS-D532-700-1 / 2 / 3

DESCRIPTION/ LA DESCRIPTION/ DESCRIPCIÓN: Dining Chair Swirl Floral / Slipper Chair - Kana Blue / Biba Dove / Otto Indigo
/ Chaises de salle à manger / Sillas de comedor

STEP 1

ÉTAPE 1

PASO 1

STEP 2

ÉTAPE 2

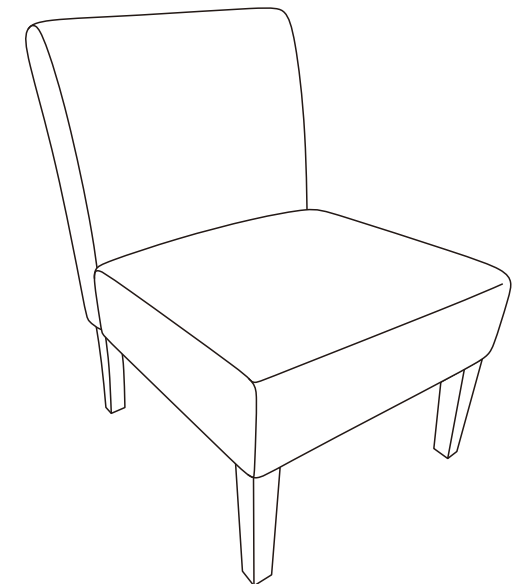
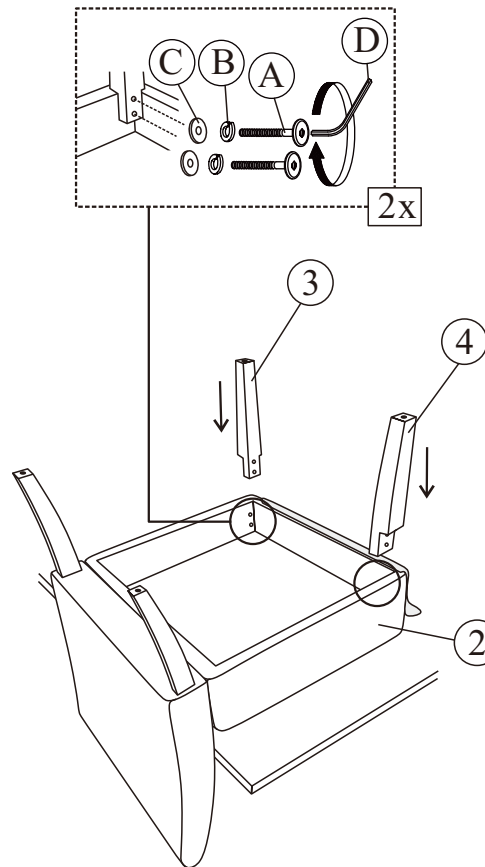
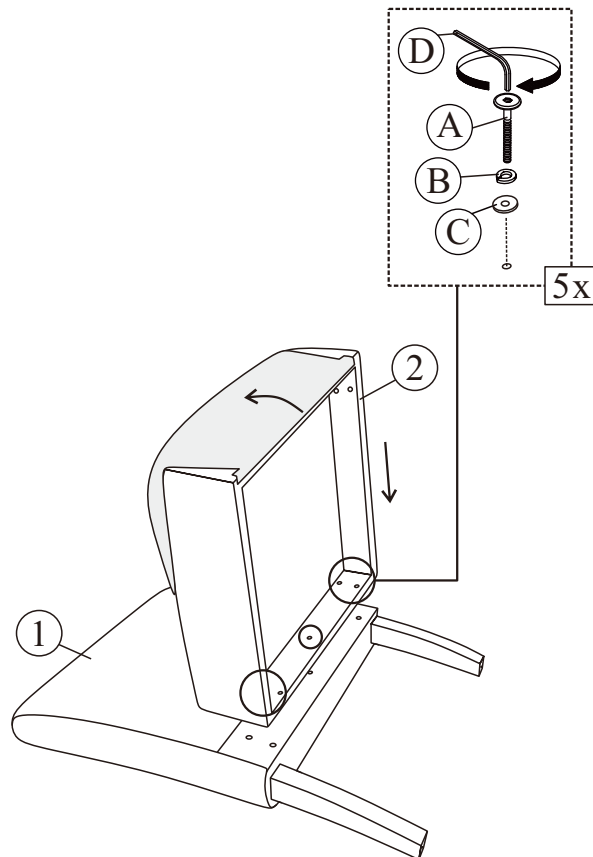
PASO 2

Complete
Terminé
Terminado

Hardware and Legs are located in seat bottom.

La quincaillerie et les patte sont situés dans le bas du siège.

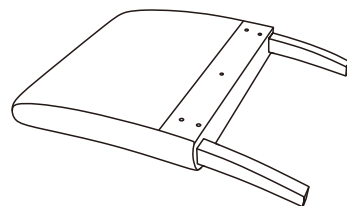
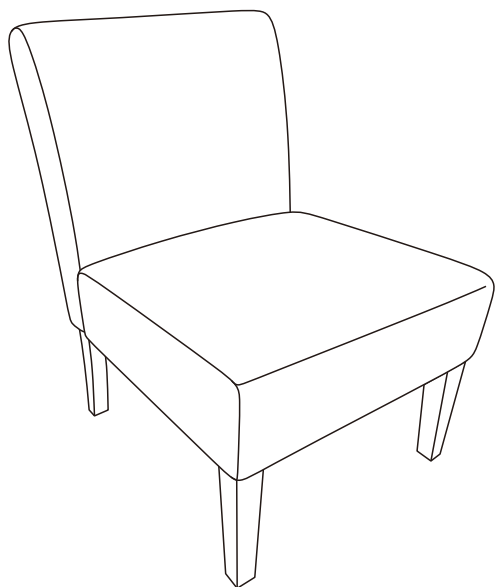
El hardware y las patas se encuentran en la parte inferior del asiento.



REPLACEABLE PART / PARTIE REMPLAÇABLE / PARTE REEMPLAZABLE

ITEM NO./NO D'ARTICLE./ARTICULO NO: DS-2661-270-410A
DS-D532-700-1 / 2 / 3

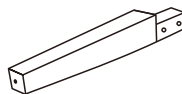
DESCRIPTION/ LA DESCRIPTION/ DESCRIPCIÓN: Dining Chair Swirl Floral / Slipper Chair - Kana Blue / Biba Dove / Otto Indigo
/ Chaises de salle à manger / Sillas de comedor



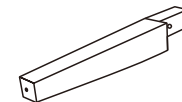
x1 R2661-270-410-BACK*
RD532-700-1/2/3-BACK
Chair Back
Dossier de chaise
Respaldo de silla



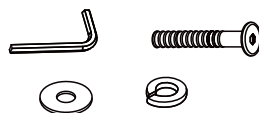
x1 R2661-270-410-SEAT*
RD532-700-1/2/3-SEAT
Chair Seat
Siège de chaise
Asiento de silla



x1 R2661-270-LEG-L*
RD532-700-LEG-1
Left Leg
Patte gauche
Pata izquierda



x1 R2661-270-LEG-R*
RD532-700-LEG-2
Right Leg
Patte droite
Pata derecha



x1 R2661-270-410-HWKI*
RD532-700-HWKIT
Hardware Kit
Liste Des Pièces De quincaillerie
Lista del kit de materiales



x4 RC-WH-NAIL*
White Plastic Nail
Clou
Clavo

**Replaceable Part*

Protect Your Wood or Laminate Flooring

*This statement applies to any floor without carpet.

If not careful, all furniture including upholstery and case pieces can scratch, scuff and even gouge floors. The recommendation is to have felt, rubber pads or area rugs under furniture on flooring without carpet.

Moving your furniture

Pushing and dragging furniture over floors without carpet can lead to scratches and scuffs. Have someone help when moving the larger pieces of furniture by lifting, try using a dolly or moving pads.

Felt and rubber pads

Applying furniture pads to the feet of furniture helps cushion contact points. Furniture pads can be found at local hardware stores. Felt pads slide easily across the floor, making them ideal for dining chairs and other pieces that move with use. Rubber pads will help furniture stay in place and are perfect for larger pieces, like sofas and loveseats.

Area rugs and rug pads

Using an area rug under furniture is another way to protect your floor from scratches and scuff marks. A rug pad under the area rug will provide extra cushion and added protection.