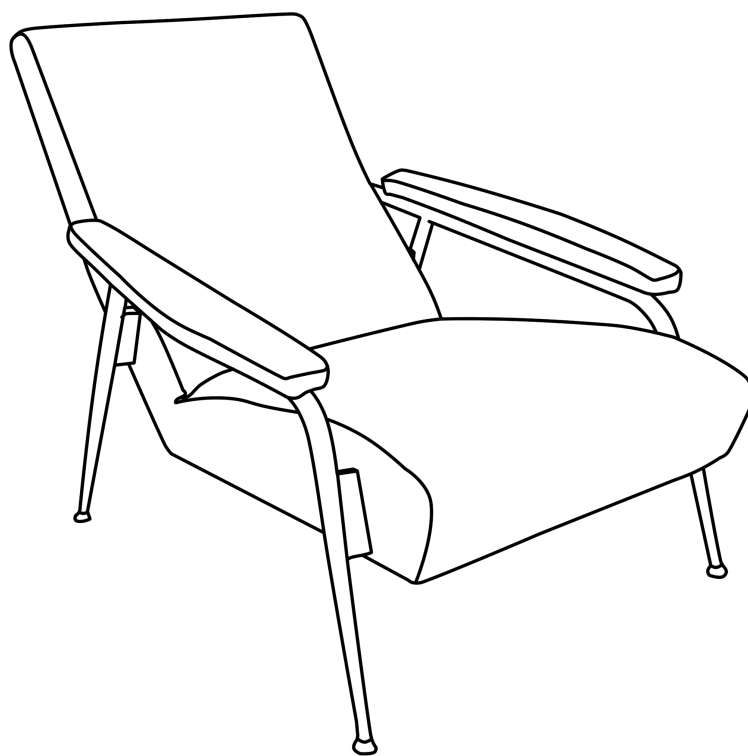


**Abbey Chair**  
**TOV-S6424/TOV-S6425/TOV-S6426**


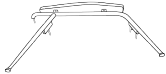
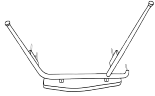
# **Abbey**

---



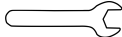
## **ASSEMBLY INSTRUCTIONS**



## PARTS LIST

LABEL	PICTURE	DESCRIPTION	QTY
<b>A</b>		<b>Chair Body</b>	<b>1</b>
<b>B</b>		<b>Left arm</b>	<b>1</b>
<b>C</b>		<b>Right arm</b>	<b>1</b>

## HARDWARE

LABEL	PICTURE	DESCRIPTION	QTY
<b>D</b>		<b>Metal Gasket</b>	<b>8</b>
<b>E</b>		<b>Screw nut(M8)</b>	<b>8</b>
<b>F</b>		<b>Wrench</b>	<b>1</b>

### BEFORE BEGINNING ASSEMBLY:



*Read instructions cover to cover*



*Have two adults on hand for assembly*



*Do NOT assemble on flooring or carpet. Assemble on a clean non-marring surface (ex: packing foam)*



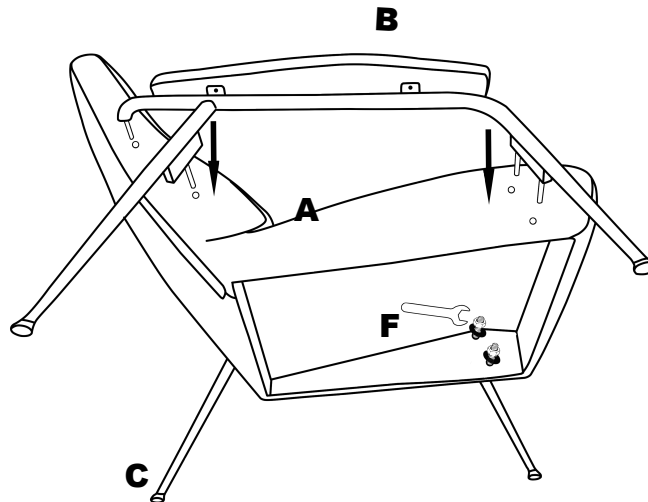
*Save all packaging until assembly is completed*

# ASSEMBLY STEPS

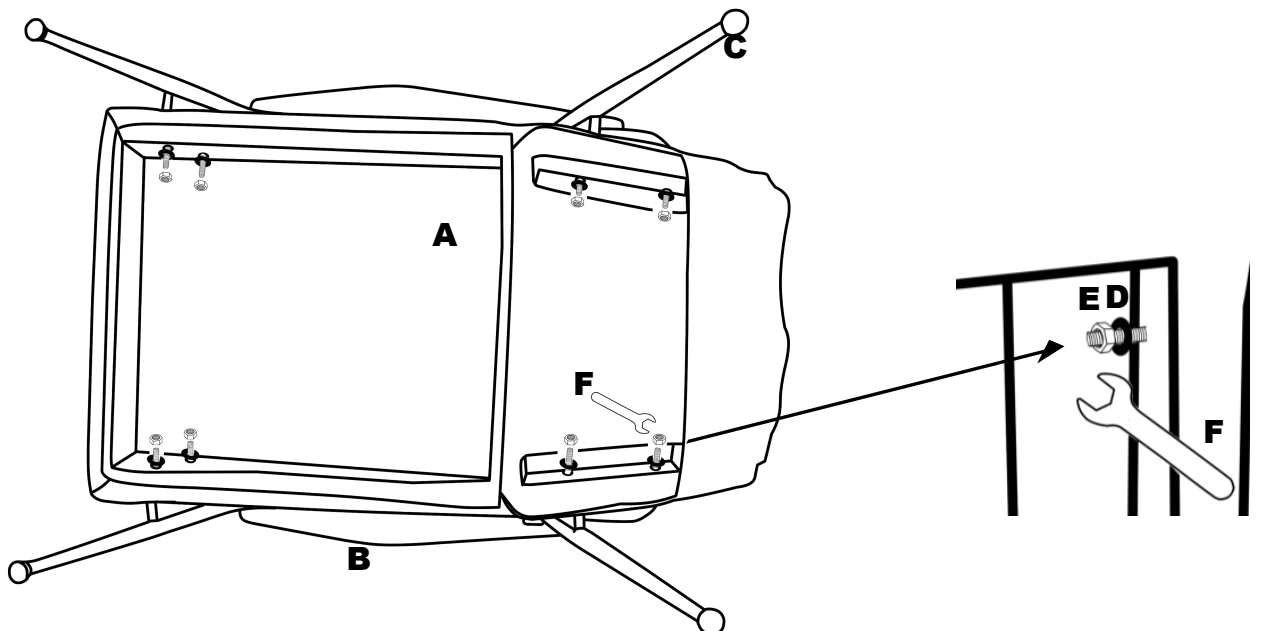
## STEP 1

› Open the carton to remove the two arms and listed hardware.

## STEP 2



- 1. Attach the left arm (B) to the left side of the chair body(A) by using 4 screw nuts (E) and 4 pieces of metal gaskets (D) and tightening clockwise with the wrench but do not fully tightened.**
- 2. Repeat the same process on the right side for the right arm(C)**
- 3. Adjust the angle of both arms until they are even, then fully tightened the bolts. Assembly is completed.**



## **CARE & MAINTENANCE**



**Do not put hot items directly on furniture surface.**



**Do not clean furniture with harsh cleansers or polish.**



**Dust and pick up spills using a clean, non-colored, lint-free cloth.**



**Stains may be removed with mild soap solution and a damp cloth.**



**Do not place furniture under direct sunlight.**



**Do not place furniture near heating or cooling vents.**



**Do not write on furniture without a padded barrier to protect the surface.**



**Do not place furniture outside, for indoor use only.**