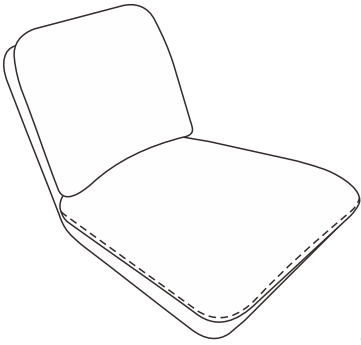

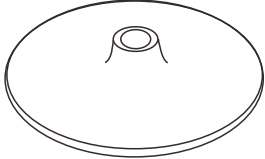


ITEM NAME /NOM D' ITEM: RORY CHAIR

ITEM # /NO. ITEM:102056(GRAY)

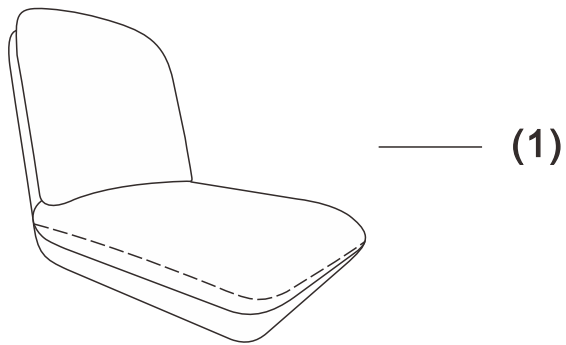
Enquiry:parts@zuomod.com

PART LIST/Liste des pièces

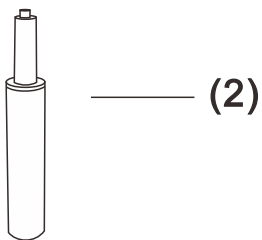
(1)	(2)	(3)
		
X1	X1	X1

INSTRUCTION

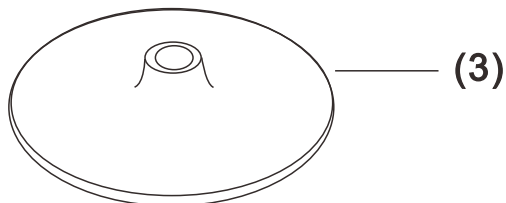
A



(1)



(2)



(3)

B

