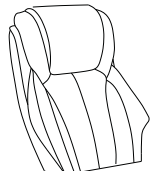
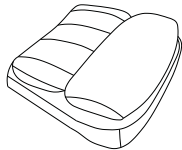
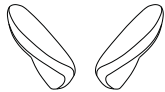

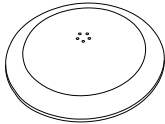
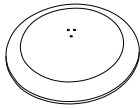
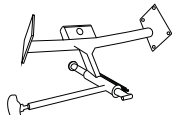
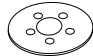
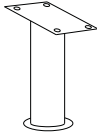
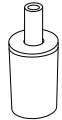
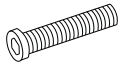
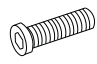


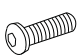
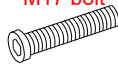
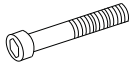

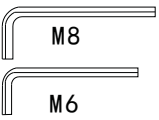
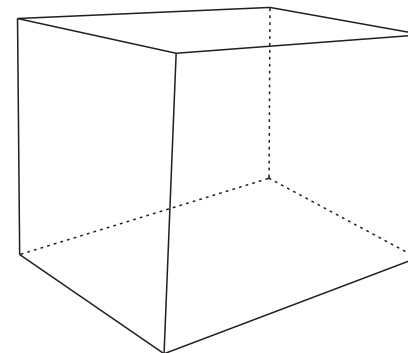


NORWAY

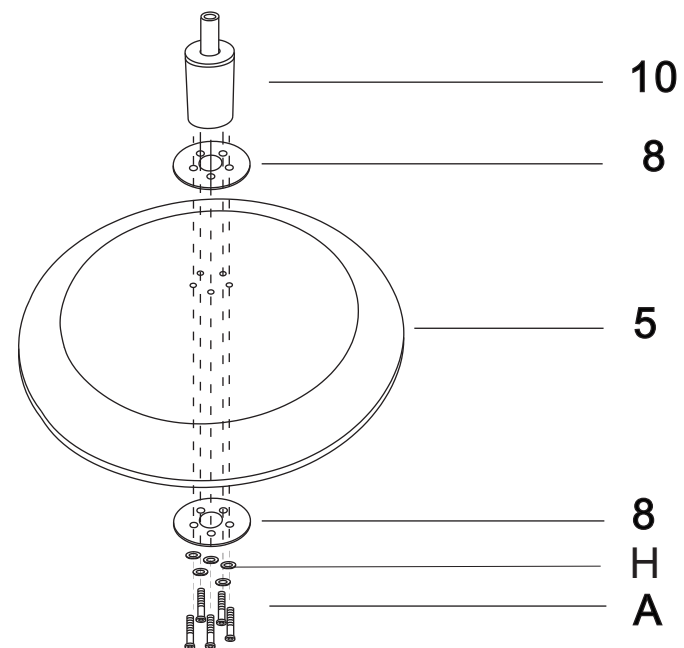
 U1 base 1	 U2 seat cushion 2	 U3 arm set 3	 U4 Ottoman cushion 4	
 W5 chair base 5	 W6 ottoman base 6	 M7 Mechanism M8 Rod/Handle 7	 M9 Plates 2pcs 8	
 M10 otto frame support 9	 M11 center column 10	Hardware kit M12-20		
 M12 bolt M8*50 5pcs A	 M13 bolt M8*20 8pcs B	 M14 arm pin & key M8*50 1pcs 1pcs C	 M15 chair pin & key M8*20 2pcs 2pcs D	 M16 bolt M6*20 4pcs E
 M17 bolt M8*40 3pcs F	 M18 bolt M8*60 2pcs G	 M19 washer 8*22*2 8pcs H	 M20 allen wrench M8 M6 M21 allen wrench I	

1

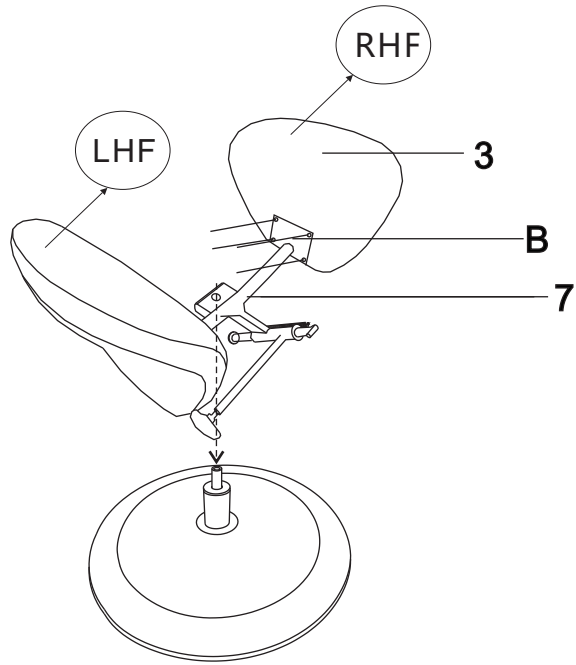


Take out all the chair parts from the carton.
Tape the empty carton. Use the empty carton
as a platform to assemble the chair

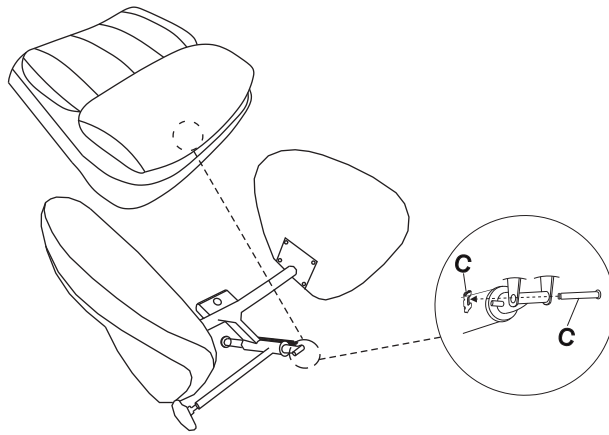
2



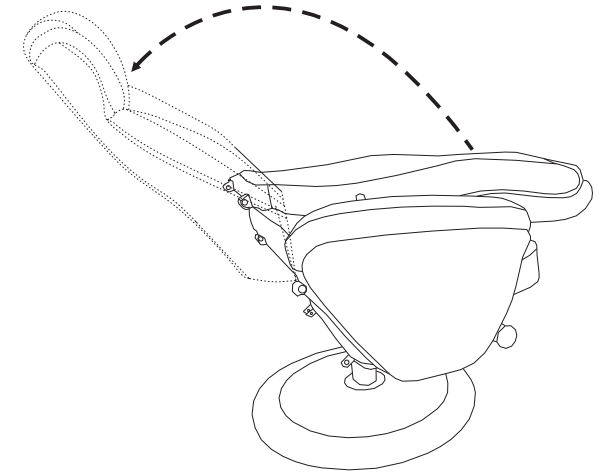
3



4

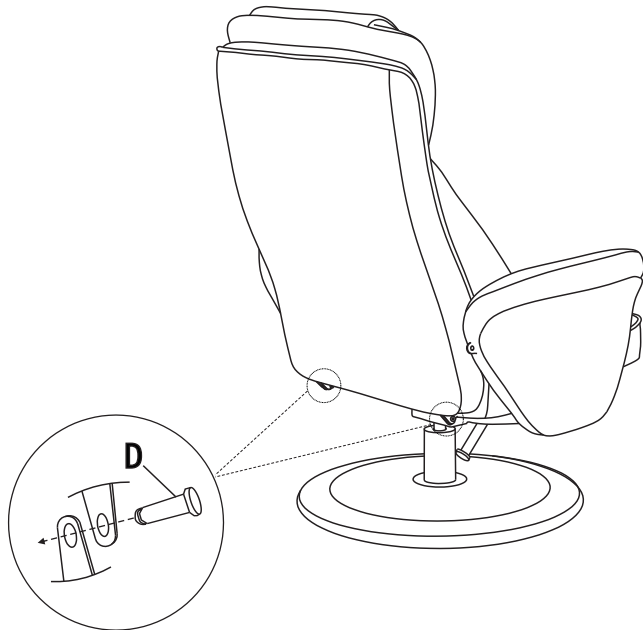


5

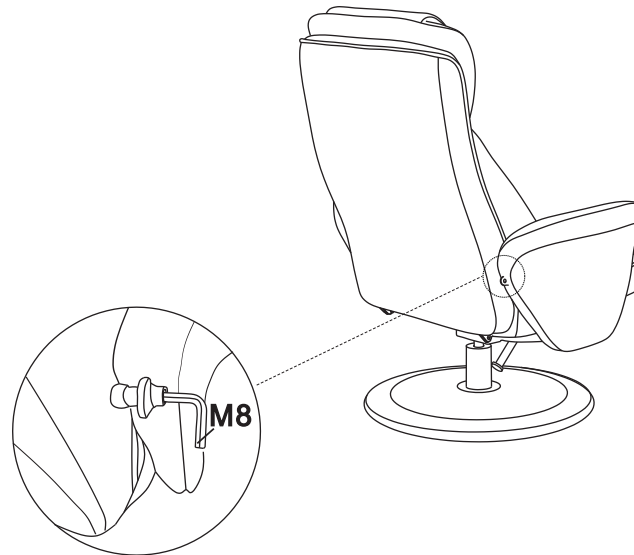


Backrest goes backward between 110-180(rad).

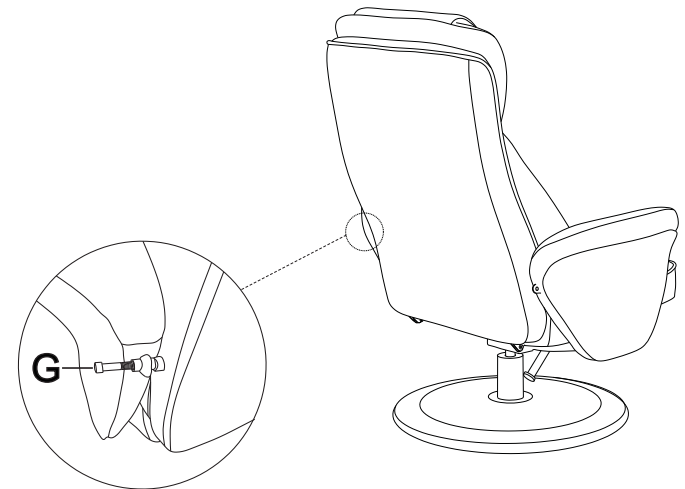
6



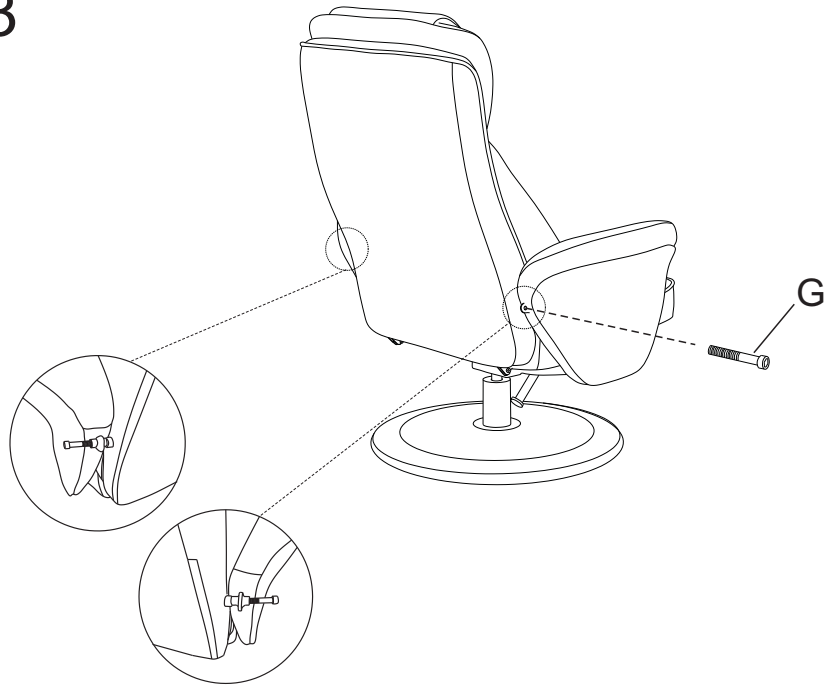
7-1



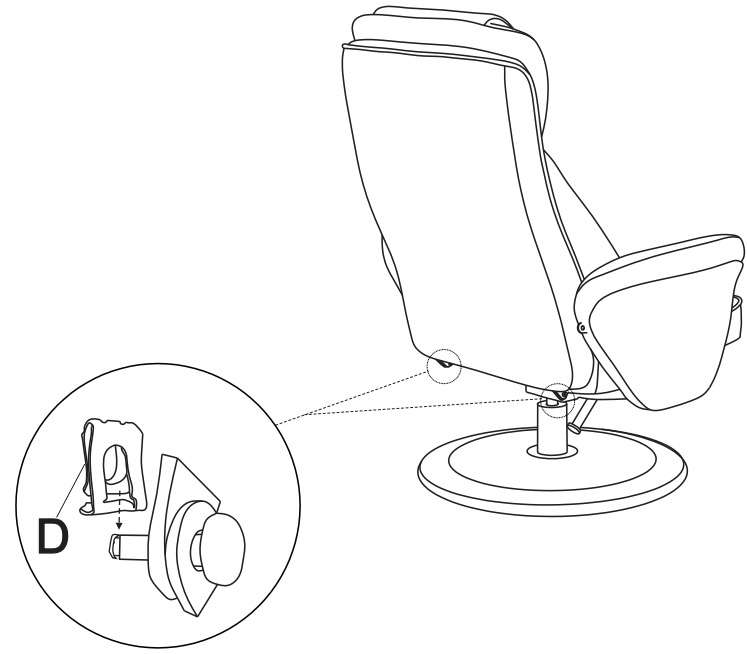
7-2



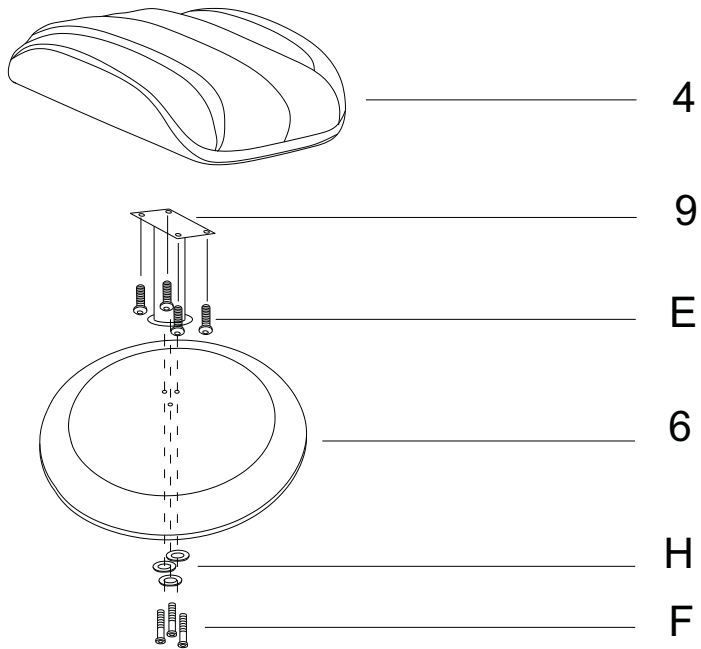
7-3



8



9



10

