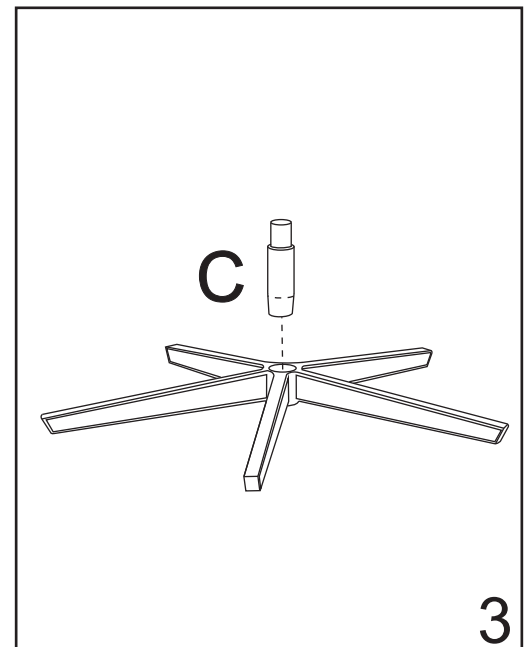
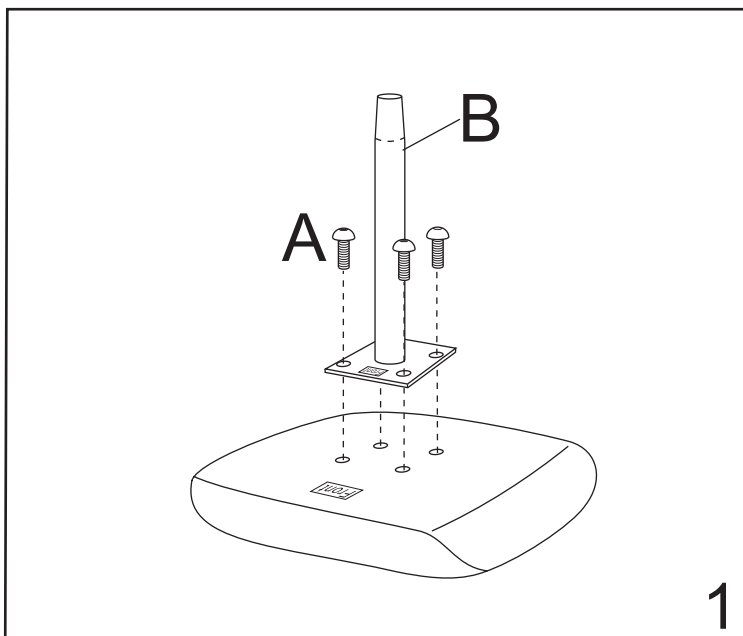
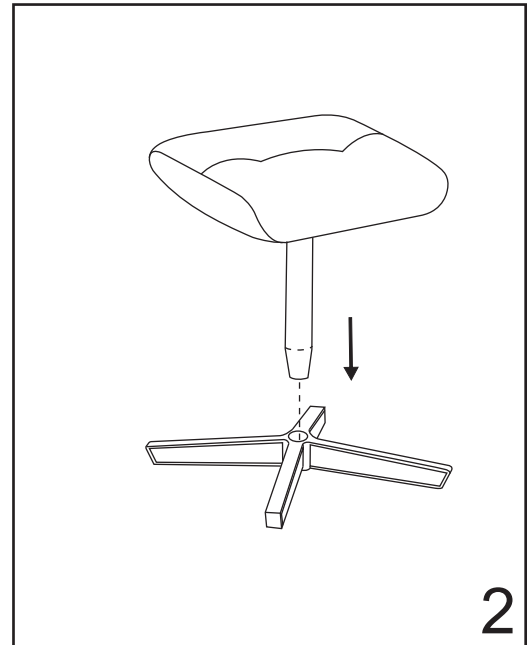
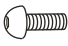


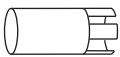
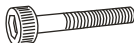




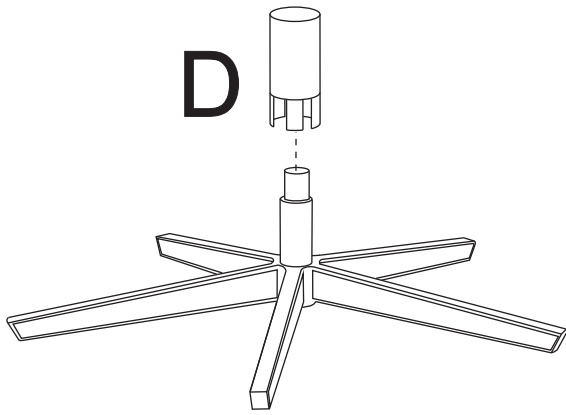


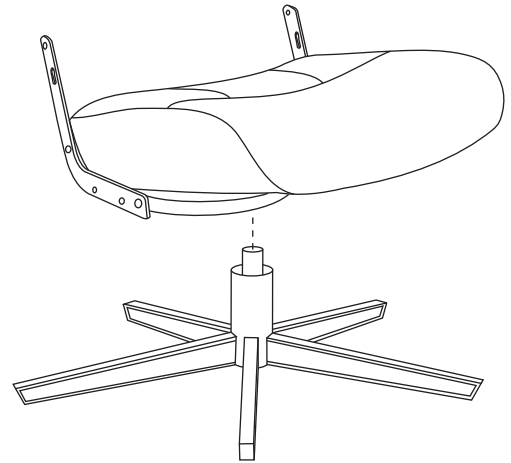
7790NA



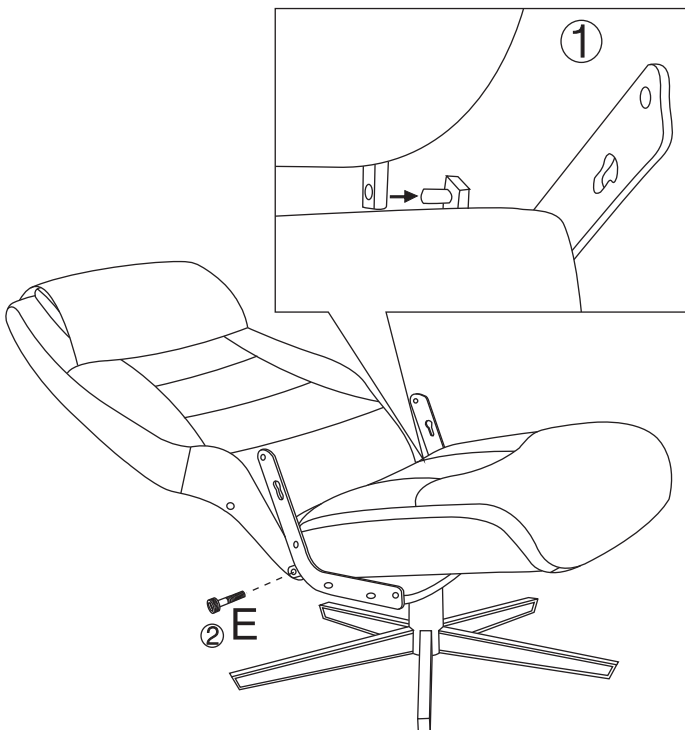
A	 M6X20	4 PCS	B		1 PC	C		1 PC
D		1 PC	E	 M8X35	3 PCS	F	 M6X20	6 PCS
G		1 PC	H		1 PC	I		1 PC



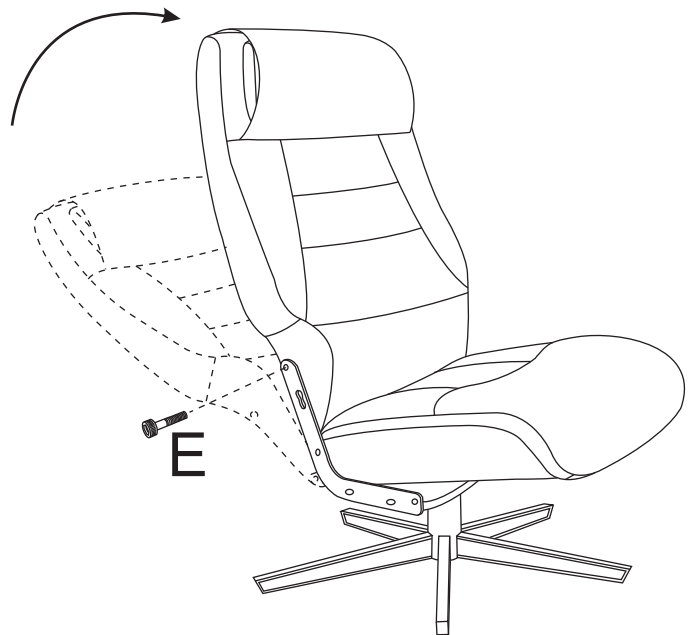
4



5

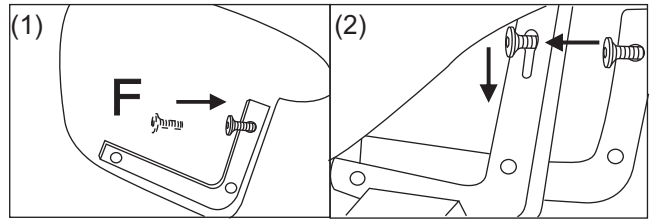
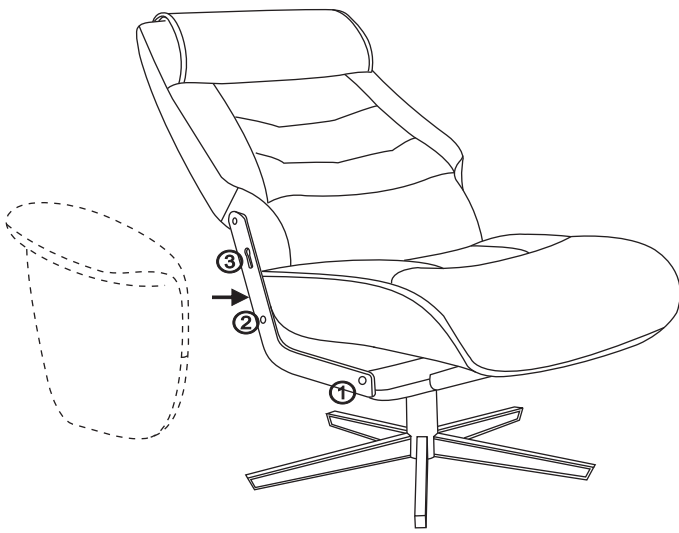


6

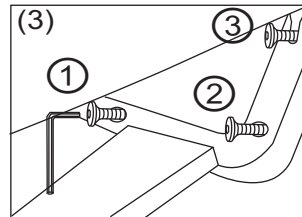


7

**It's more easy to assemble the armrests if you put the chair in recline position

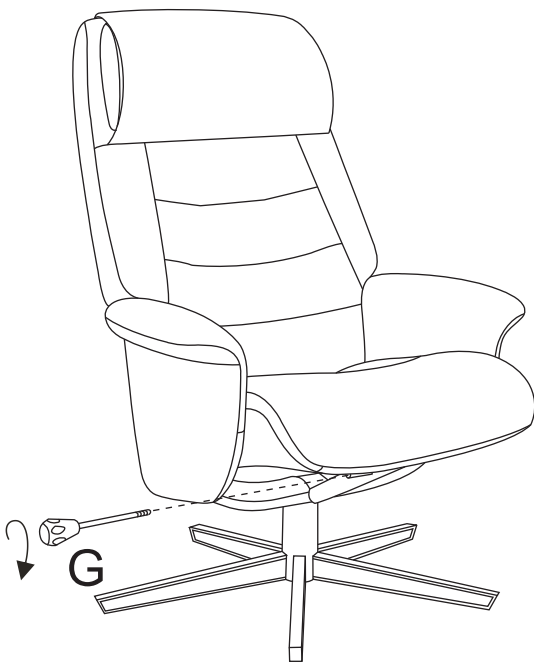


1. Insert bolt [F] into hole of arm pad as shown on diagram (1), do not tighten yet. Hang the armrest to chair frame as shown on diagram (2)

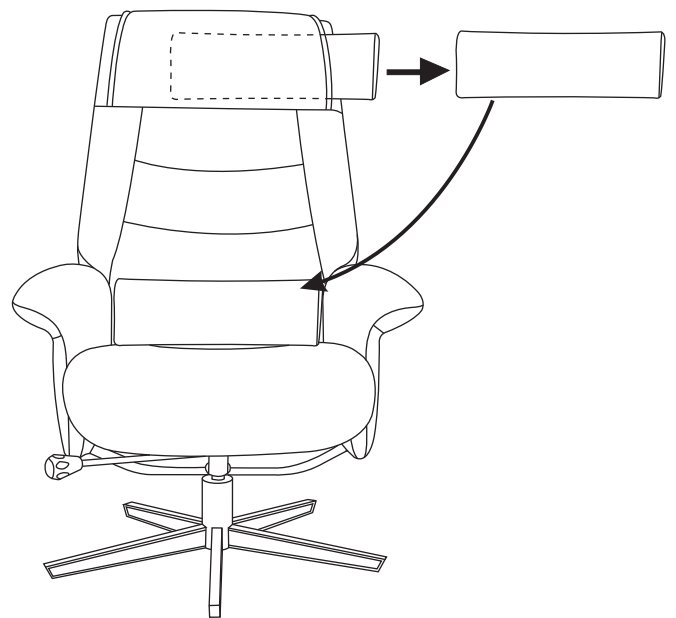


2. Insert the other 2 bolts and tighten them sequentially as shown on diagram (3)

8



9



10

How to adjust the headrest



To adjust the headrest, grip the backside of the headrest and pull forward from both sides as shown



DO NOT pull from the side edges, as the material may tear



To adjust the headrest backward, push on both sides or use a forearm to evenly move the headrest

Caution:
Do not push in the center of the headrest , as this may cause the cushion to collapse

