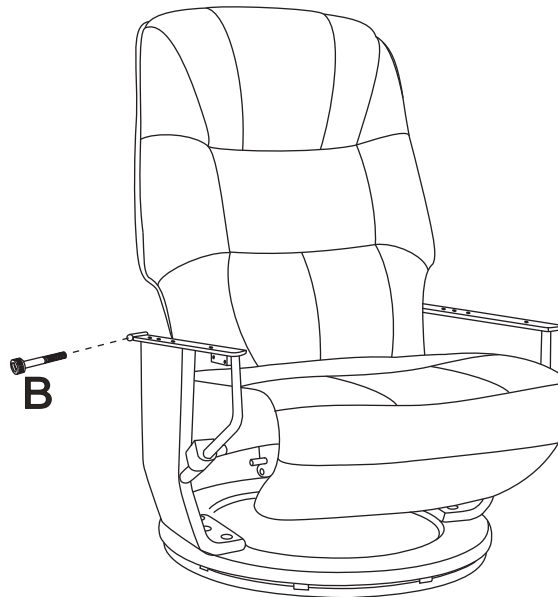
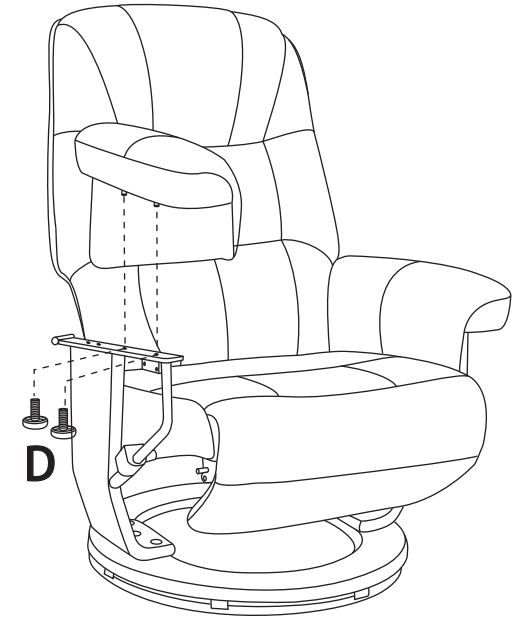


1

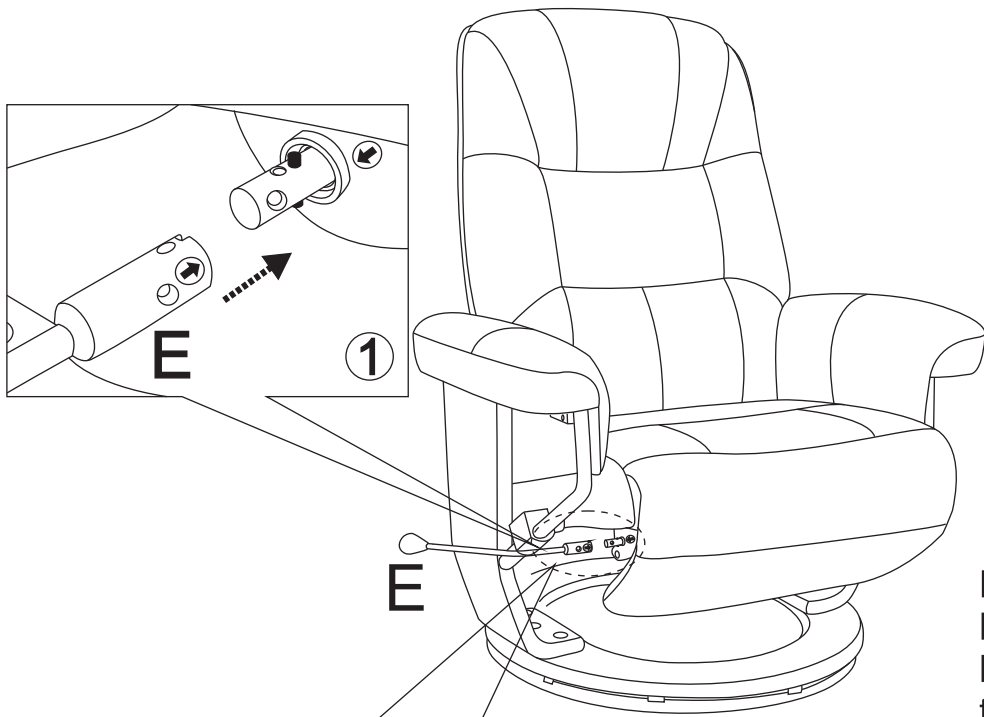


2

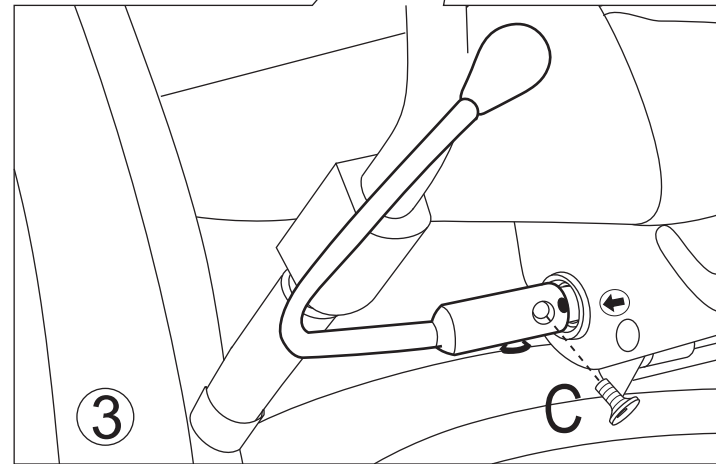
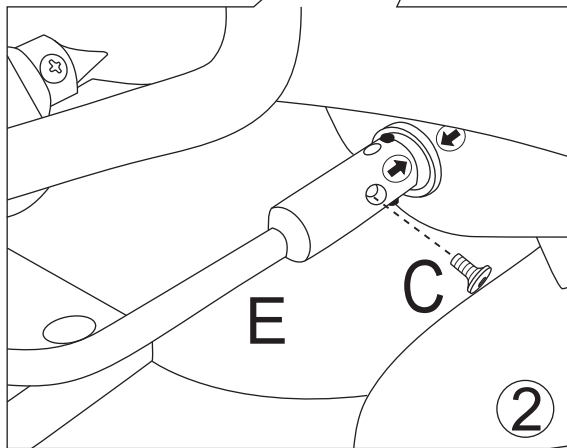
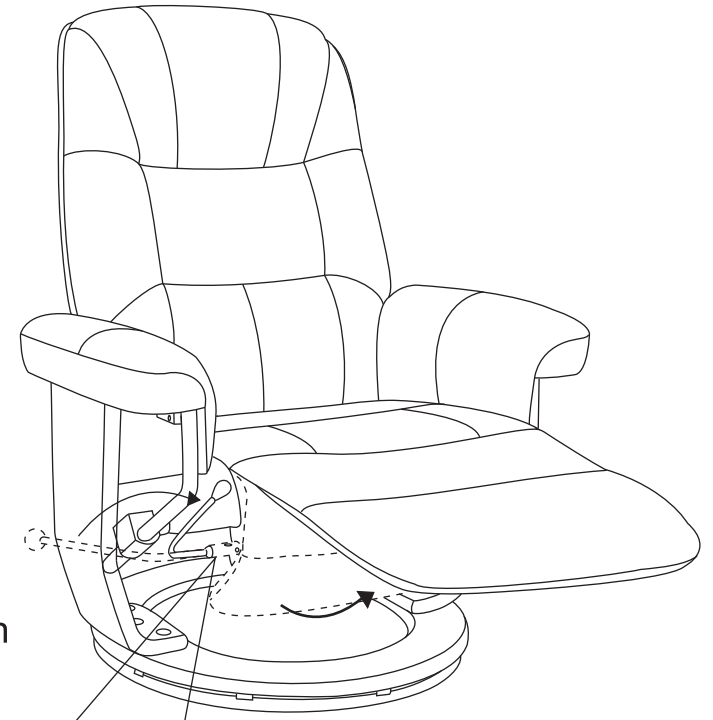


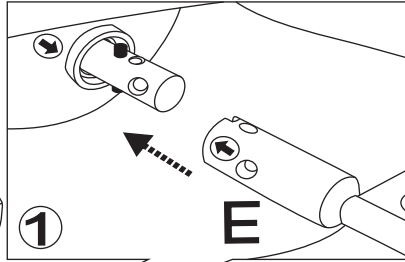
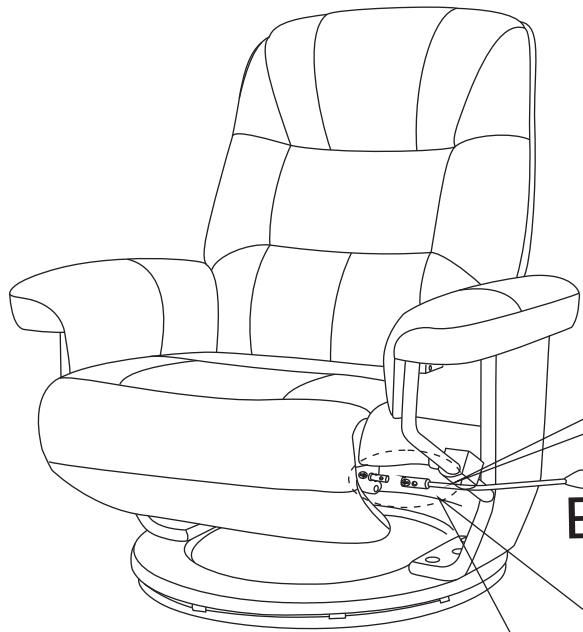
3

<b>A</b>		2PCS	<b>D</b>		4PCS
<b>B</b>		2PCS	<b>E</b>		1PC
<b>C</b>		2PCS	<b>F</b>		1SET

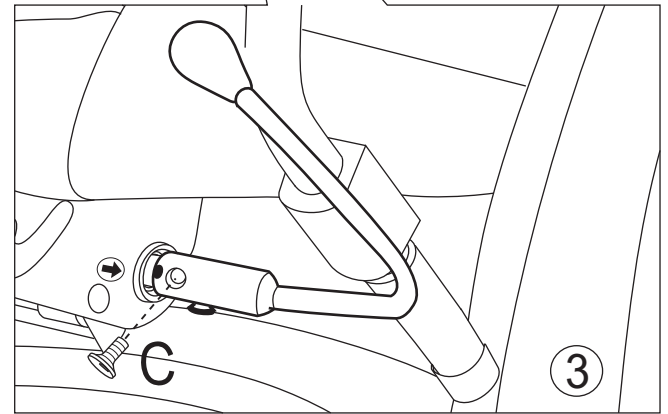
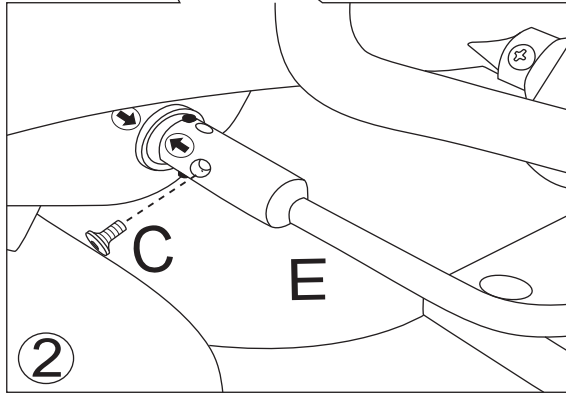
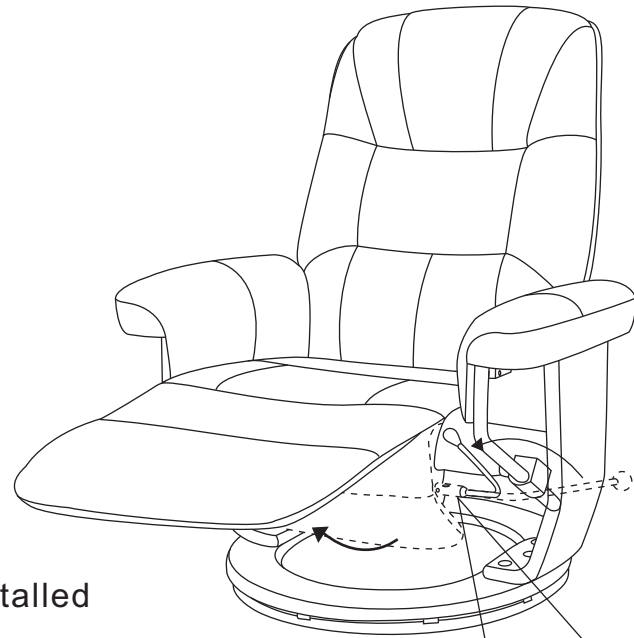


Be sure to push the handle to this position before you assemble the second bolt



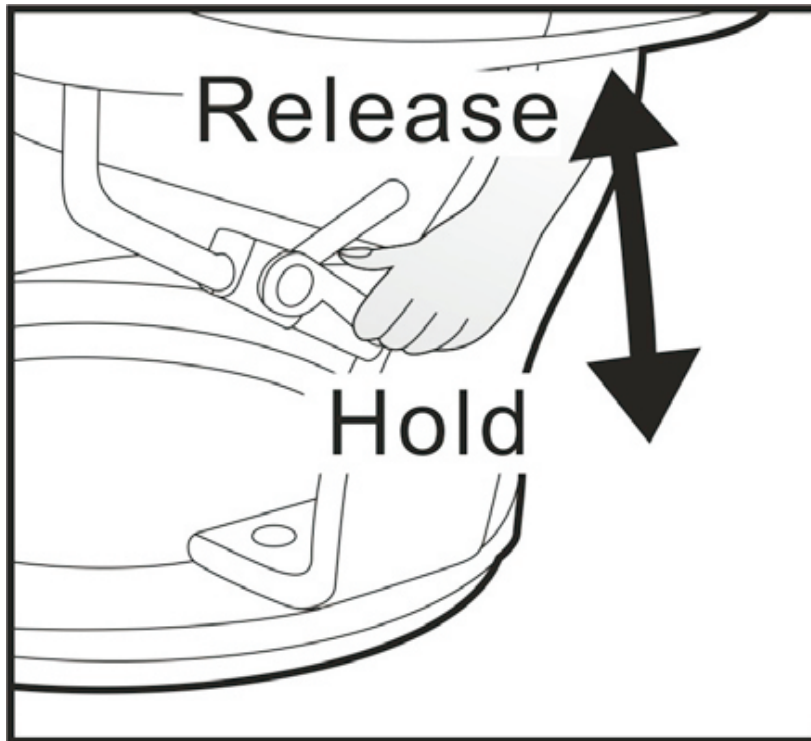


Handle may be installed on both sides



# Recliner Position Control

Hold and Release:



Caution:

Avoid placing hand between lever and frame.

