








Important safety instructions:

- Please read carefully all instructions before assembling.
- For your safety and ease, assembly by two or more adults is recommended.
- Keep instructions for future use.




Pre-assembly:

- Do not discard any content until assembly is completed to avoid accidentally discarding
- Remove all parts and hardware from box along with any protective packaging.

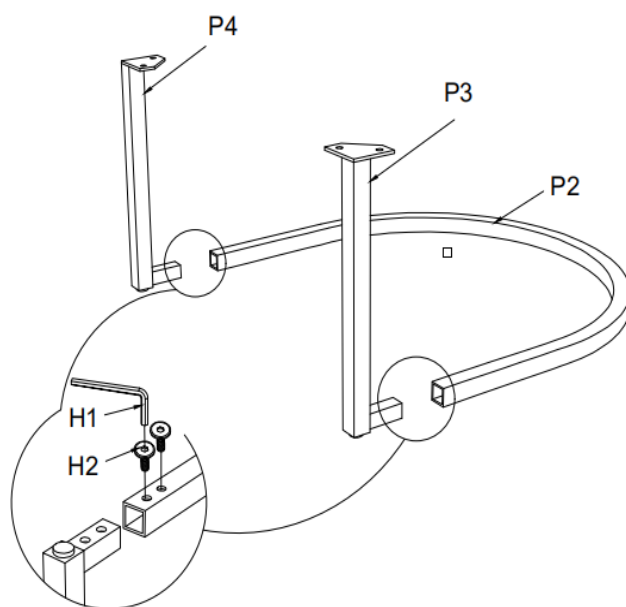
Parts List

Item	Description	DRAWING	QTY
P1	Chair Top		1
P2	U-shaped Support Bar		1
P3	Right Support Bar		1
P4	Left Support Bar		1
P5	Middle Support Bar		2

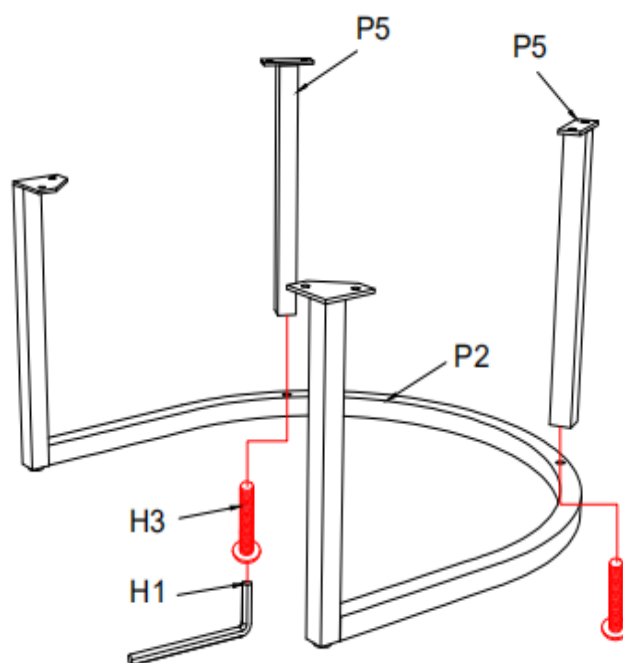
Hardware List

Item	Description	DRAWING	QTY
H1	Allen Wrench		1
H2	Bolts $\phi 1/4 \times 3/5$		12
H3	Bolts $\phi 1/4 \times 1-2/5$		2

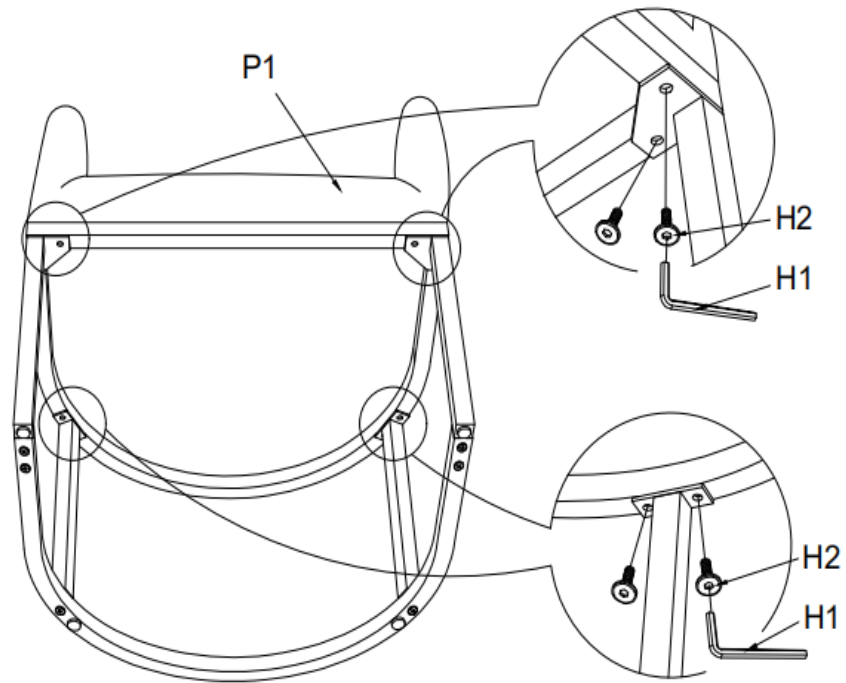
Step 1. Assemble the chair on a flat, soft surface such as carpet or cloth to prevent scratches. Attach the support bars (P3&P4) to the U-shaped Support Bar (P2), using an Allen wrench (H1) to tighten bolts (H2).



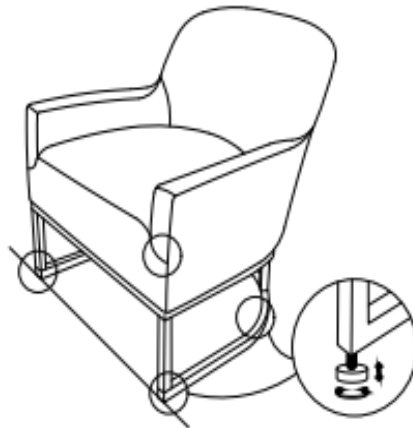
Step 2. Attach the Middle Support Bar (P5) to the U-shaped Support Bar (P2) with a bolt (H3), and tighten with an Allen wrench (H1) as illustrated below.



Step 3. Attach assembled U-shaped Support Bar(P2) to Chair Top(P1) with bolt(H2),tight wrench(H1) as illustration below.



Step 4. Place accent chair upright on a level surface. Adjust levelers (as drawing) as nec



ADDITIONAL NOTE ABOUT SAFETY: BOLTS MAY LOOSEN DURING NORMAL USE. CHECK TO ENSURE THAT ALL HARDWARE IS KEPT TIGHT.

Thank you for your purchase

CTIONS

air

| small parts or hardware.

ching. Insert support
l2) as illustration below.

the bolts(H3) with Allen

ten the bolts(H2) with Allen

ecessary.

**EVERYDAY USE. THEY
DAMAGE OR INJURY.ALWAYS
NEED.**