

Setup and Operation Guide

Comfort Lift Chair

**Model: 155-A309-016-064
DS-A309-016-064**

- NOTE: This device complies with part 15 of the FCC rules. Operation is subject to the following two conditions: (1) this device may not cause interference, and (2) this device must accept any interference, including interference that may cause undesired operation of the device. Modifications not approved by the party responsible for compliance could void user's authority to operate the equipment.

TABLE OF CONTENTS

Important Safety Information	3
Fabric Care	4
Assembly Of Your Lift Chair	
Transformer and Cord Connections	4
Attaching the Chair Back to the Chair Base	4
Operating Your Lift Chair	
Raising the Chair	5
Lowering the Chair	5
Reclining the Chair	5
Lock and Unlock the Hand Control	5
Heat Function Operation	6
Massage Function Operation	6
Trouble Shooting	7

Note:

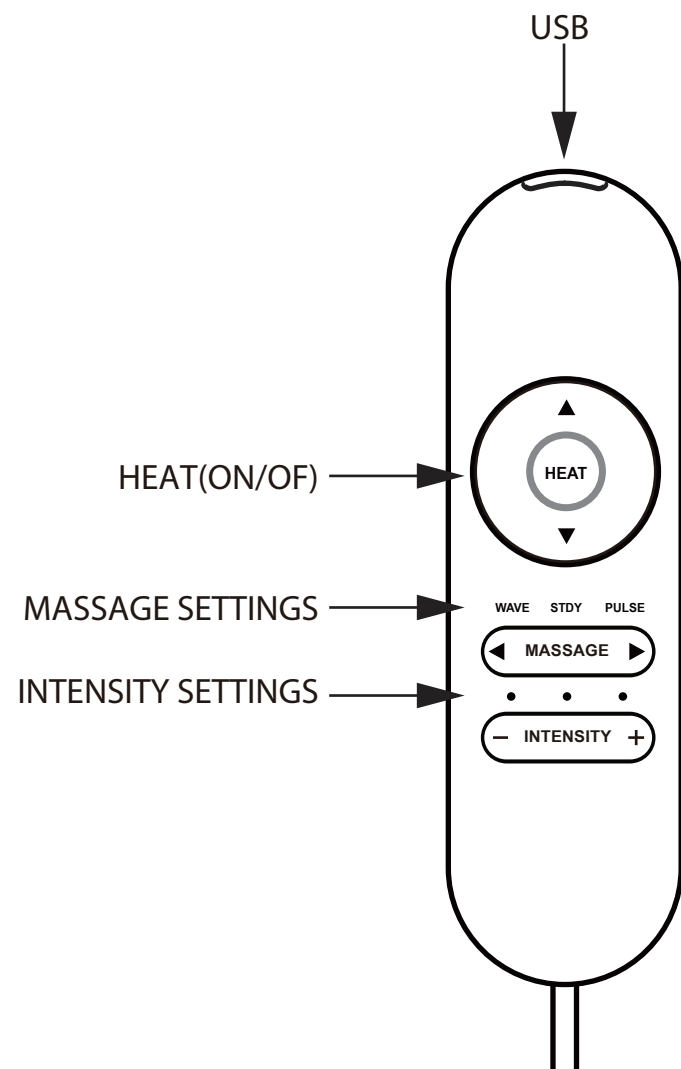
When placing furniture on non-carpeted flooring, HMI recommends the use of floor protection such as an area rug or furniture pads. Area rugs and padding not included with purchase.



TROUBLE SHOOTING

PROBLEM	POSSIBLE FACTORS	SOLUTIONS
Vibrators not working	<ul style="list-style-type: none"> • Controller not on • Power supply is not connected completely to socket • Wiring plugs are not connected correctly according to the illustration on page 4 	<ul style="list-style-type: none"> • Power on the handset, and operate as per the instructions • Check the power supply has been correctly connected to the socket • Confirm that wiring plugs are connected correctly
Vibrators suddenly stop	<ul style="list-style-type: none"> • Automatically stop work because of default timer (20 minutes) 	<ul style="list-style-type: none"> • Restart the handset by turning off and back on
Vibrator settings running in wrong order	<ul style="list-style-type: none"> • Vibrator connections wires not connected properly • Connector may not be connected well 	<ul style="list-style-type: none"> • Confirm that wiring plugs are connected correctly
Heating element not working	<ul style="list-style-type: none"> • Connector may not be connected well 	<ul style="list-style-type: none"> • Confirm that wiring plugs are connected correctly
Chair doesn't recline or lift	<ul style="list-style-type: none"> • Transformer may not be connected well 	<ul style="list-style-type: none"> • Check the power supply has been correctly connected to the socket • Confirm the wire from the chair to the transformer is firmly connected.

OPERATING YOUR LIFT CHAIR



How to Use the Massage Function

- Press the INTENSITY + button once to activate the massage function.
- Press the INTENSITY - button to low intensity, then press - again to off massage
- Press the MASSAGE ◀ or ▶ button to go to the three available massage setting: WAVE, STEADY, or PULSE. Each setting is indicated by a COLORED LED light. The massage function will automatically shut off after 30 minutes of continuous use.

How to adjust the intensity of the massage function

- Press the INTENSITY + or - button to set the massage intensity to one of three available settings: LOW, MEDIUM or HIGH. Each setting is indicated by a COLORED LED light.

How to Use the Heat Function

- To turn on or off the heat function, press the HEAT button. There is only one setting for the HEAT function, on or off.

NOTE: Heat & Massage system is designed with an auto-shutoff mechanism that turn off after 30 minutes of use. It is recommended the heat and massage units not be used for more than 30 minutes at a time.



IMPORTANT SAFETY INFORMATION

READ ALL INSTRUCTIONS BEFORE USING YOUR LIFT CHAIR.

WARNING: To reduce the risk of burns, fire, electric shock, or injury to persons:

1. **DANGER:** To reduce the risk of electric shock - Always unplug this furnishing from the electrical outlet before cleaning.
2. **Do not stand directly in front of chair when lowering the lifted chair to the seated position, continuing to hold the down arrow will allow the footrest to raise potentially causing the user to lose their footing.**
3. Unplug from outlet before putting on or taking off parts.
4. Close supervision is necessary when used by or near children, or disabled people.
5. Use this furnishing only for its intended use as described in these instructions. Do not use attachments not recommended by the manufacturer.
6. Never operate this furnishing if it has a damaged cord or plug, if it is not working properly, if it has been dropped or damaged, or dropped in water.
7. Never operate the furnishing with the air openings blocked. Keep the air openings free of lint, hair, and other obstacles.
8. Keep the cord away from heated surfaces.
9. Never drop or insert any object into any opening.
10. Do not use outdoors. Just for household indoor use only.
11. Do not operate where aerosol (spray) products are being used or where oxygen is being administered.
12. To disconnect, turn all controls to the off position, then remove plug from outlet.
13. **WARNING:** Risk of injury - Keep children away from extended foot support.
14. **WARNING:** Risk of injury to Persons - do not use this furnishing to support video equipment such as televisions or computer monitors.
15. Maximum weight limit not to exceed more than 350 pounds.
16. When not in use, it is recommended that the wand be stored securely in the pocket on the outside of the arm.
17. **WARNING: Continuing to hold the up Arrow will lift the chair.**
18. **WARNING: Continuing to hold the down Arrow will raise the Footrest**
19. For loading always put heavier items at the bottom and not near the top in order to help prevent the possibility of the furnishing tipping over.

SAVE THESE INSTRUCTIONS.

SERVICING OF DOUBLE-INSULATED PRODUCTS.

In a double-insulated product, two systems of insulation are provided instead of grounding. No grounding means is provided on a double-insulated product, nor is a means for grounding to be added to the product. Servicing a double-insulated product requires extreme care and knowledge of the system, and is to be done only by qualified service personnel. Replacement parts for a double-insulated product must be identical to the parts they replace.

FABRIC CARE INSTRUCTIONS

The micro suede fabric covering this specific piece of furniture is soft to the touch and very durable for every day living. It is recommended by the fabric manufacturer to only clean this type of fabric with water-based cleaning agents or foam. Lightly scrubbing the fabric will help with any tougher spots that may have developed. Always check a spot of fabric in an area that is unseen to be sure the cleaning agent being used will not discolor or fade the fabric's finish. Let air dry and vacuum for best results.

CORD AND TRANSFORMER CONNECTIONS

Once the box has been removed from around the chair, you'll notice the back is laying on top of the seat. There are a couple items to remove from the seat portion of the chair first. Follow the steps below:

1. The transformer and the power cable are in a foam bag located on top of the chair. Connect to the plug coming from the seat.
2. Control Wand is located in pocket on the outside of the chair as shown in Figure A.
3. Slide the back down on the base. The back receiver brackets slide down on the mechanism arms coming up. See Figure B.
4. Connect the massage unit from the back to the plug marked BACK.
5. Connect the heat unit from the back to the plug marked HEAT.

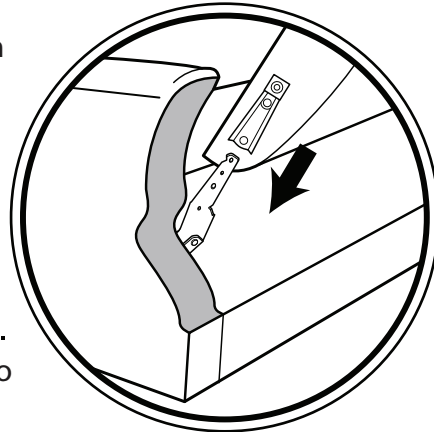


Figure B

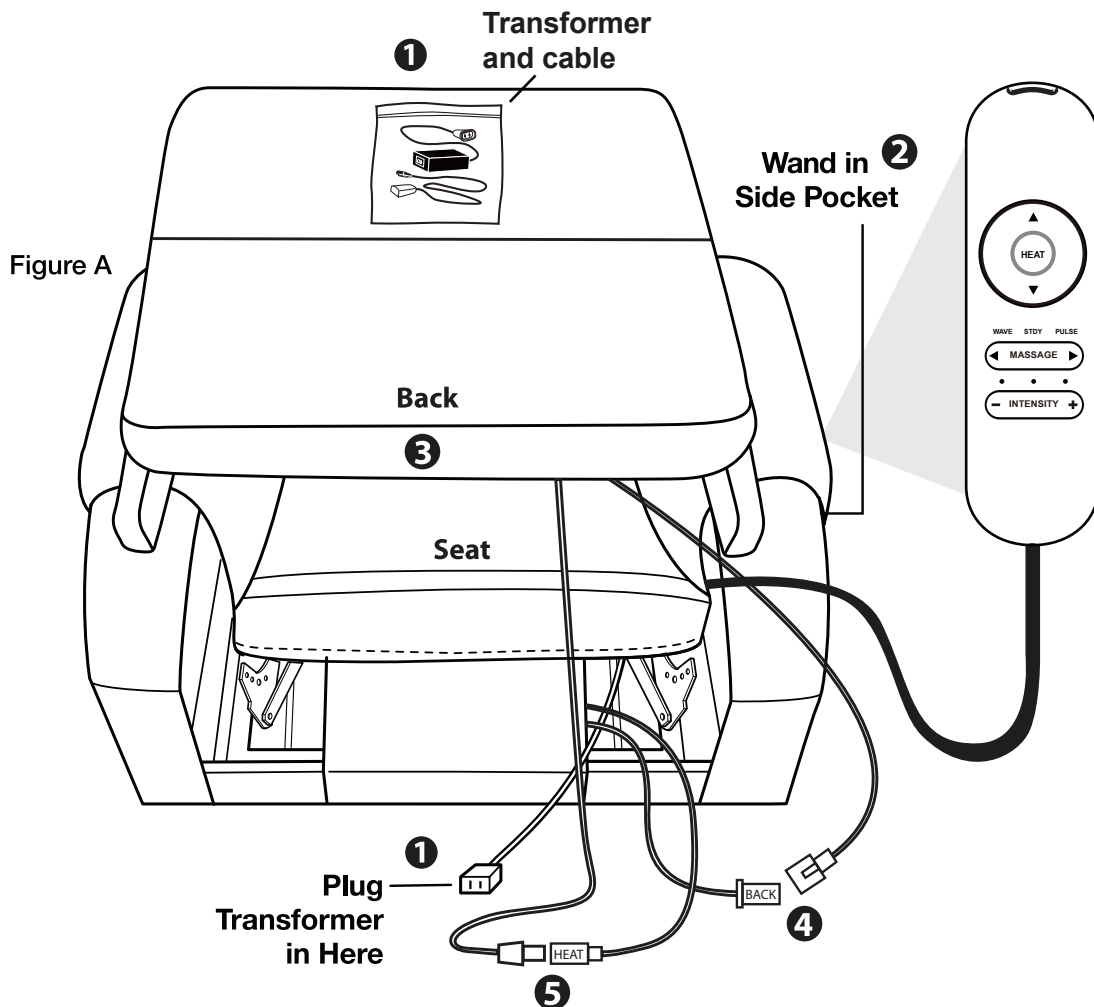
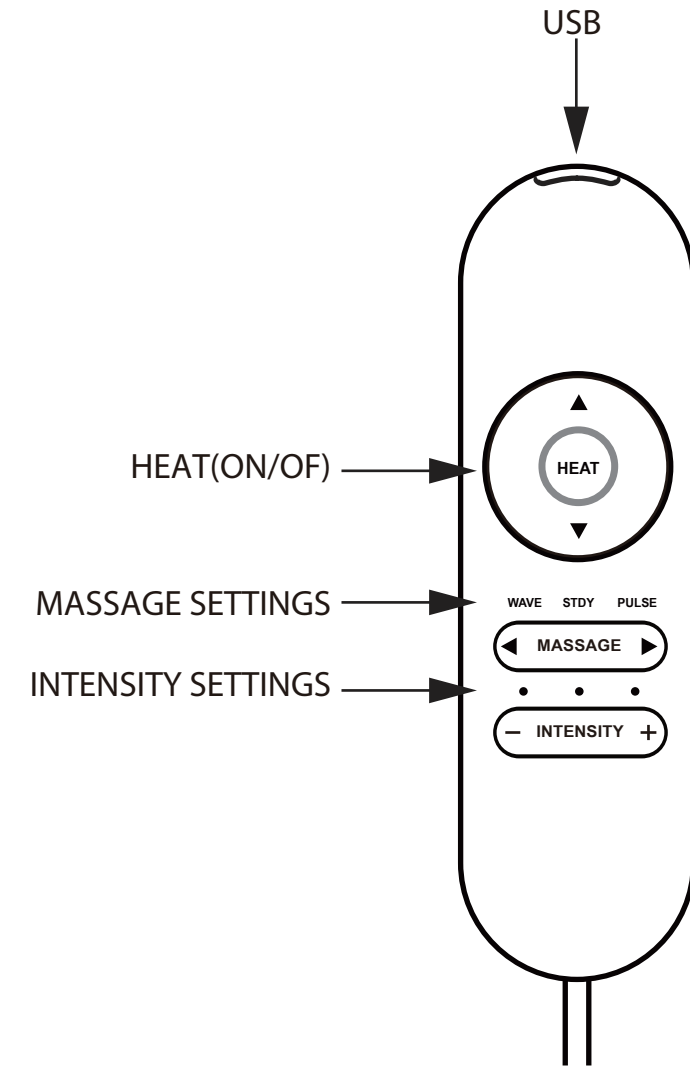


Figure A

HOME
MERIDIAN
INTERNATIONAL

HOME
MERIDIAN
INTERNATIONAL

OPERATING YOUR LIFT CHAIR



Sitting in your lift chair

- Press and hold the UP button to raise your lift chair to the standing position.
- Back into the lift chair and sit in the center of the seat, using the armrests for support if needed.
- Press the DOWN button to lower the lift chair to a comfortable seated position.

Reclining the lift chair

- Press and hold the DOWN button until comfortably reclined.
- ★ **WARNING: Continuing to hold the down Arrow ▽ will raise the Footrest.**
- Press and hold the UP button to return to an upright position. Release the button when the lift chair reaches a comfortable seated position.
- ★ **WARNING: Continuing to hold the up Arrow ▲ will lift the chair.**

Standing from your lift chair.

- Press and hold the UP button to raise your lift chair.
- Release the button when the lift chair reaches a height where you can stand up comfortably.