

ASSEMBLY INSTRUCTIONS

Description: Ventura Lounge


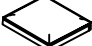


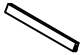
Important safety instructions:

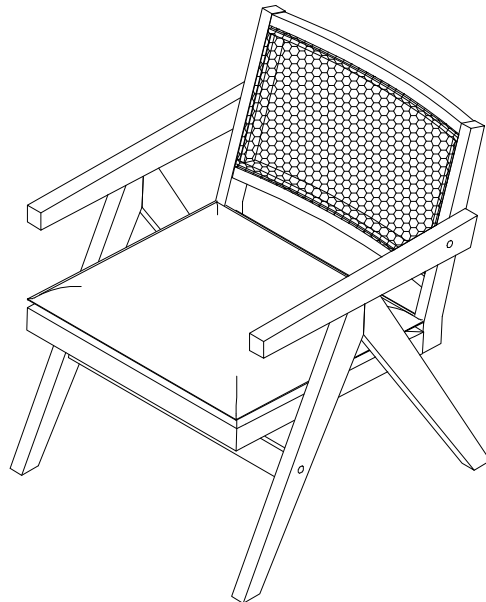
- Please carefully read all instructions before assembling the lounge chair.
- For your safety and ease, assembly by two or more adults is recommended.
- Keep instructions for future use.

Pre-assembly:







- Do not discard any contents until after assembly is complete to avoid accidentally discarding small parts or hardware.
- Remove all parts and hardware from box along with any plastic protective packaging.

Parts List

Item	Description	QTY
P1	Back Frame 	1
P2	Seat cushion 	1
P3	Right Arm 	1
P4	Left Arm 	1
P5	Front Stretcher 	1







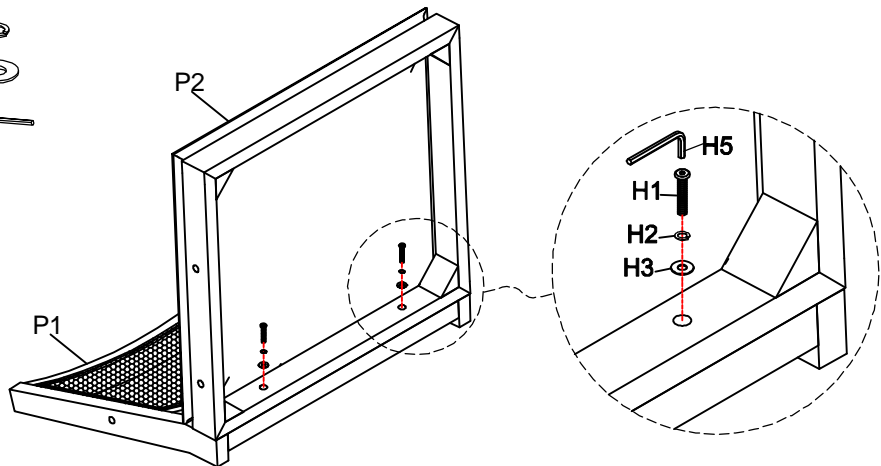
Hardware List

Item	Description	QTY
H1	Bolts $\varnothing 1/4 \times 1-1/2$ " 	10
H2	Lock Washers 1/4" 	10
H3	Big flat washers 1/4" (19mm) 	6
H4	Small flat washers 1/4" (12mm) 	4
H5	Allen Wrench 1/4" 	1
H6	Wooden Plugs 	4





Assembly Procedures:

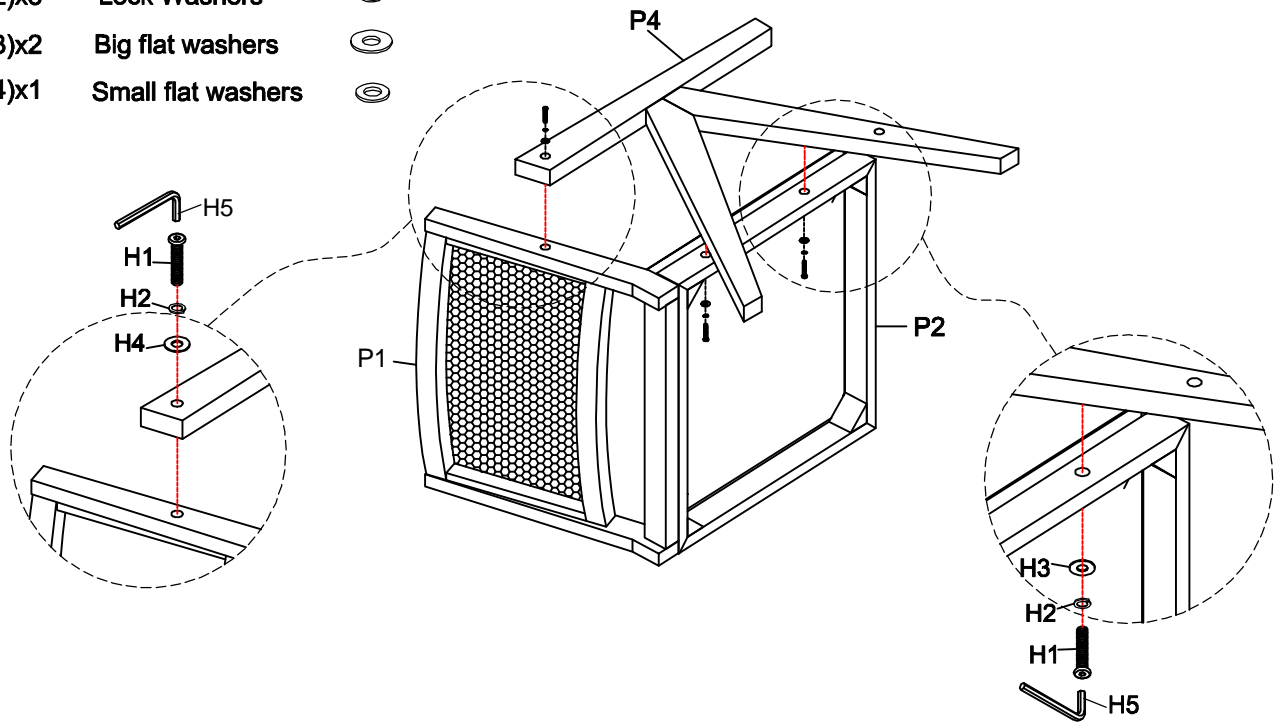
Step 1. Assemble the lounge on a flat, soft surface such as a carpet or cloth to prevent scratching the finish. Attach seat cushion (P2) to back frame (P1) as shown below. Loosely tighten the bolts with Allen wrench (H5).

- (H1)x2 Bolts 
- (H2)x2 Lock Washers 
- (H3)x2 Big flat washers 
- (H5)x1 Allen Wrench 







Step 2. Loosely attach left arm (P4) to seat cushion (P2) and back frame (P1) as shown below. Loosely tighten the bolts with Allen wrench (H5).

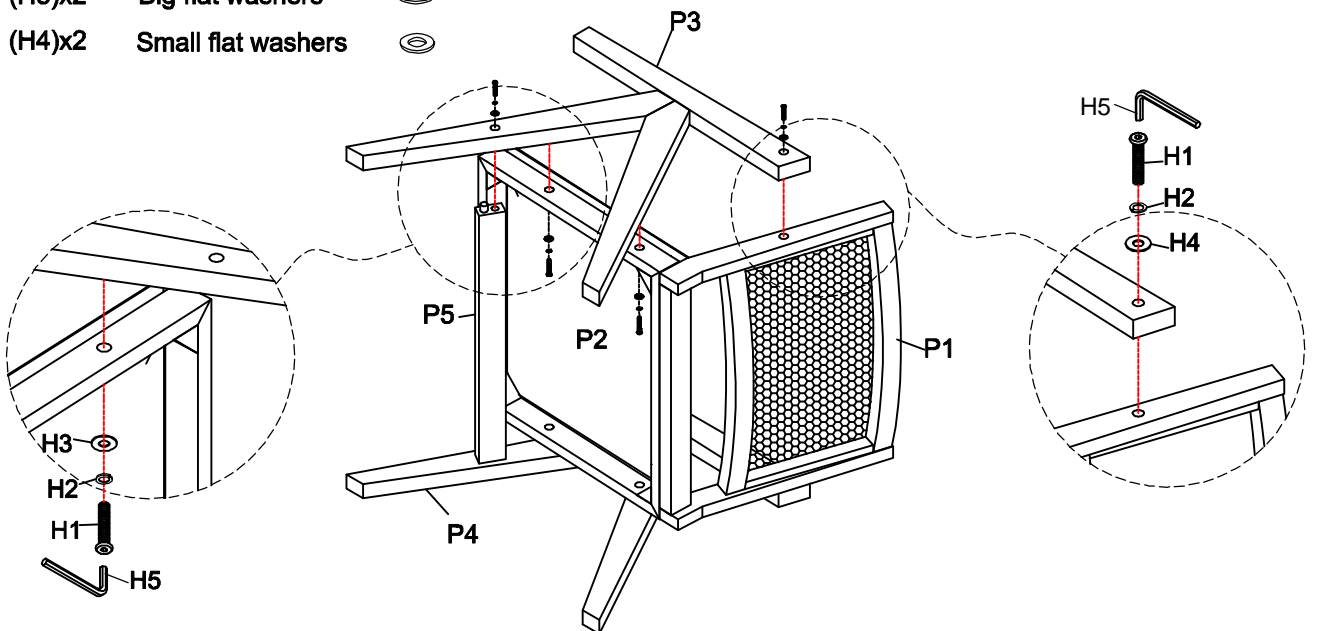
- (H1)x3 Bolts 
- (H2)x3 Lock Washers 
- (H3)x2 Big flat washers 
- (H4)x1 Small flat washers 






Step 3.

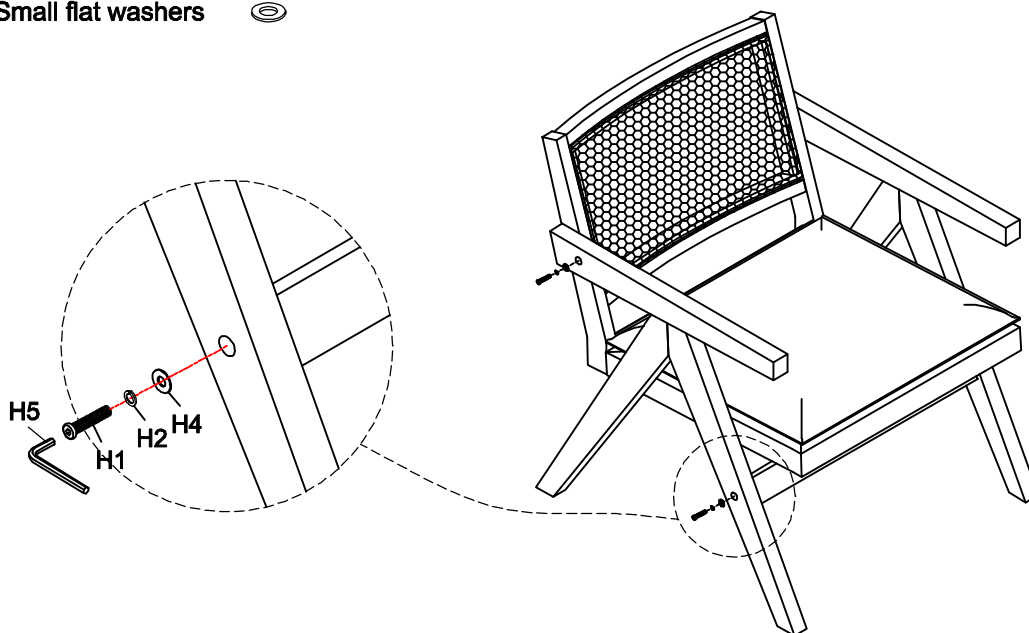
- 1) Insert the dowels on the ends of front stretcher (P5), then attach the front stretcher (P5) between right arm (P3) and left arm (P4).
- 2) Loosely tighten right arm (P3) to the front stretcher (P5), seat cushion (P2) and back frame (P1) as shown below.

- (H1)x4 Bolts 
- (H2)x4 Lock Washers 
- (H3)x2 Big flat washers 
- (H4)x2 Small flat washers 



Step 4. Loosely attach the assembled left arm (P4) to front stretchers (P5).

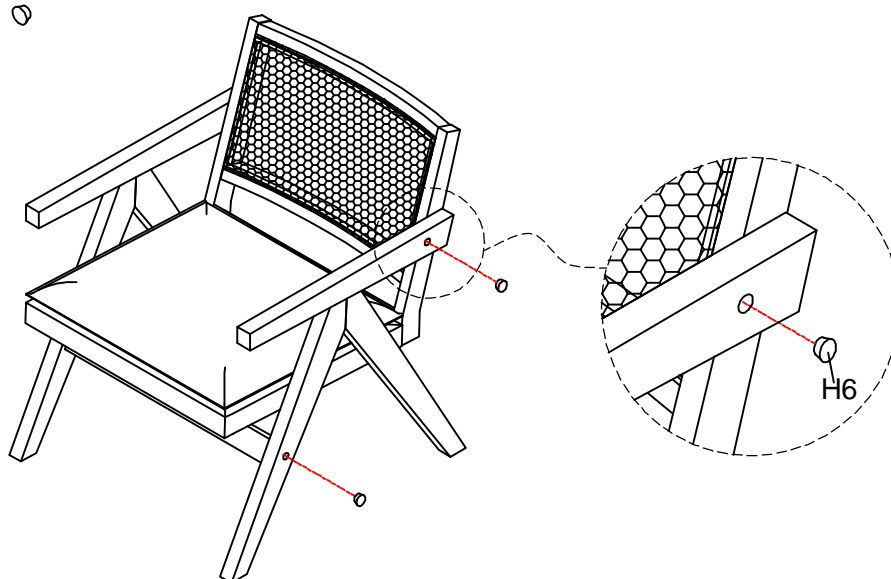
- (H1)x1 Bolts 
- (H2)x1 Lock Washers 
- (H4)x1 Small flat washers 



Step 5.

- 1) Make sure the assembled lounge is level and securely tighten all the bolts with Allen wrench (H5).
- 2) Attach wooden plugs (H6) to each exposed bolt holes, tighten with rubber hammer to knock the wooden plug till its tighten. **Note:** use a soft cloth between the wooden plug and hammer to prevent damage to wooden plug finish.
- 3) Assembly is complete. **Failure to follow these instructions may cause the bolts to misalign during assembly.**

- (H6)x4 Wooden Plugs 



Thank you for your purchase