

ASSEMBLY INSTRUCTIONS

Bradley Accent Chair





Important safety instructions:

- Please read carefully all instructions before assembling the table.
- For your safety and ease, assembly by two or more adults is recommended.
- Keep instructions for future use.










Pre-assembly:

- Do not discard any content until assembly completed to avoid accidentally discarding small parts or hardware.
- Take out all parts and hardwares from box .

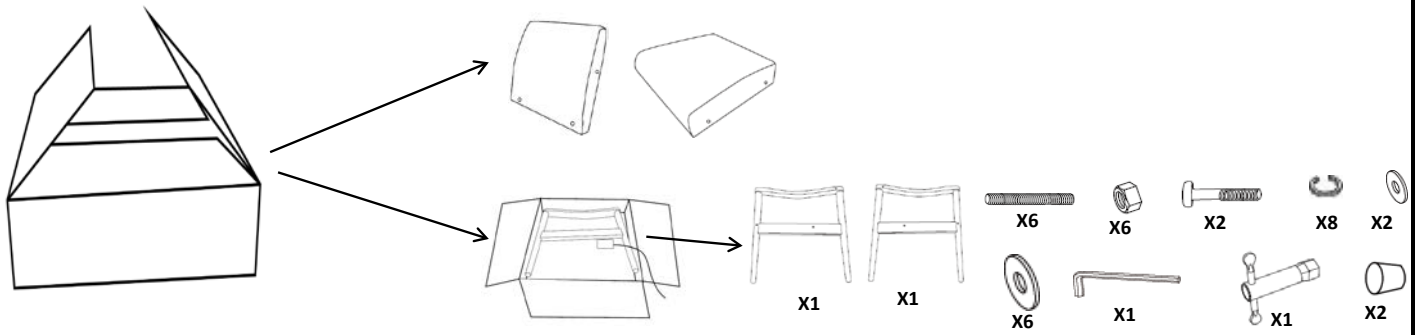
Parts List

| Item | Description | DRAWING | QTY |
|------|---------------|---|-----|
| P1 | Backrest |  | 1 |
| P2 | Chair Seat |  | 1 |
| P3 | Left Armrest |  | 1 |
| P4 | Right Armrest |  | 1 |

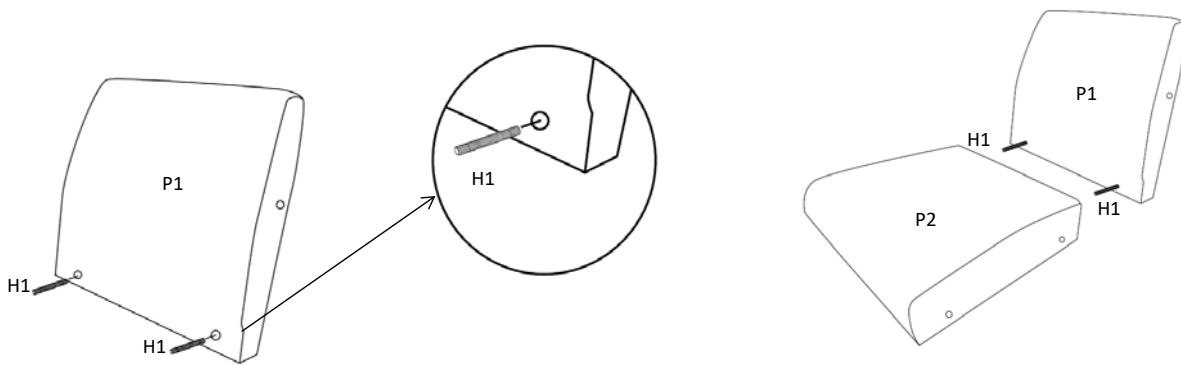
Hardware List

| Item | Description | DRAWING | QTY |
|------|------------------------------|---|-----|
| H1 | Studs 8/5/16*2-12/16" |  | 6 |
| H2 | Bolts φ5/16*2-12/16" |  | 2 |
| H3 | Nuts φ5/16" |  | 6 |
| H4 | Lock Washers φ5/16" |  | 8 |
| H5 | Flat Washers φ5/16*10/16" |  | 2 |
| H6 | Flat Washers φ5/16*14/16" |  | 6 |
| H7 | Allen Wrench φ5/16" |  | 6 |
| H8 | Spanner φ5/16" |  | 1 |
| H9 | Wood Plug |  | 2 |

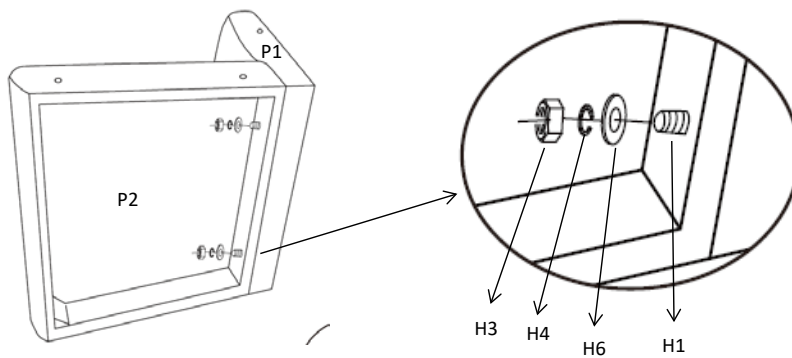
Step 1. Assemble the chair on a flat, soft surface such as carpet or cloth to prevent scratching the finish. Open the carton and take out backrest, chair seat and inner box. Then open and take out the two arms and hardware from the inner box.



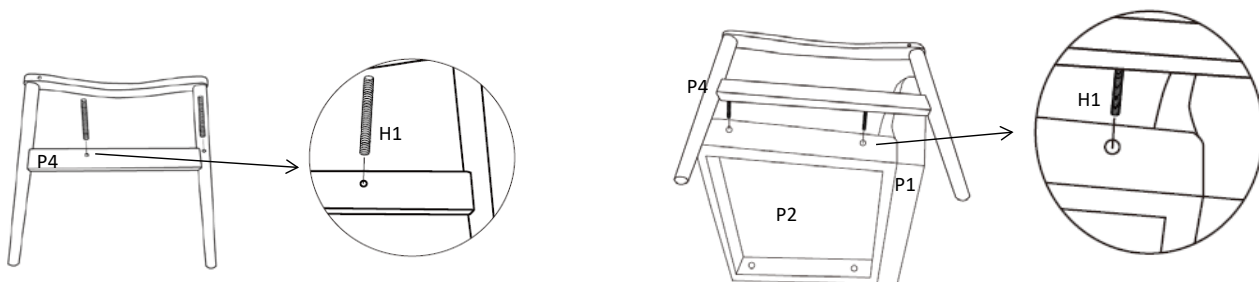
Step 2. Screw the studs(H1) into the hole in the backrest(P1), and make sure that all the studs(H1) were fully tightened. Then insert the studs(H1) in the backrest(P1) into the holes in the chair seat(P2) as shown.



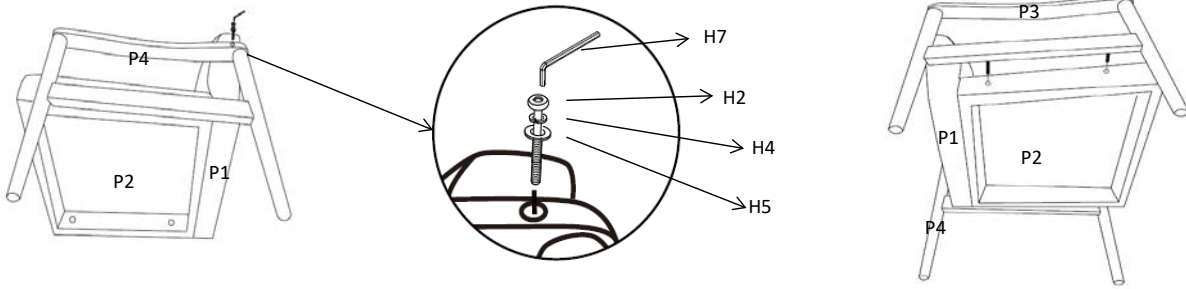
Step 3. Open the black fabric on bottom. Insert the flat washer(H6), lock washers(H4) and nuts(H3) to the end of stud(H1) to assembly the backrest(P1) to chair seat(P2). All the nuts(H3) by spanner(H8).(NOTE: Don't fully tighten the nuts.)



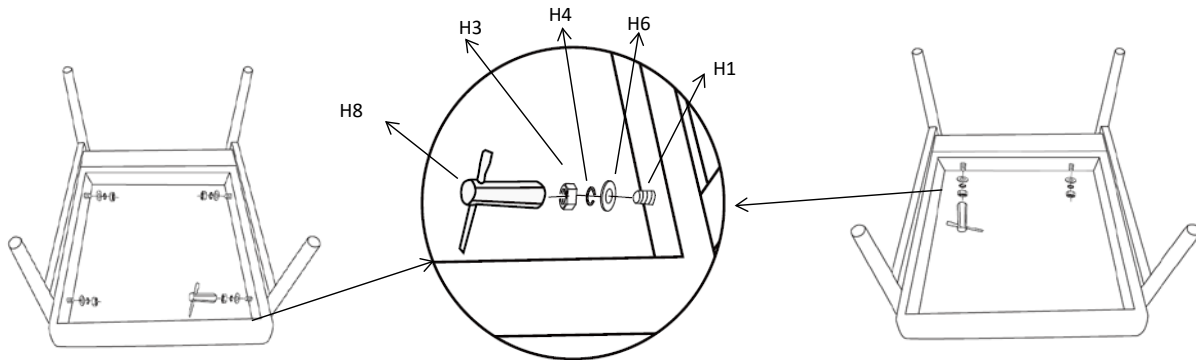
Step 4. Screw the studs(H1) into the hole in right armrest(P4),make sure all the studs(H1) were fully tightened. Then insert the studs(H1) in right armrest(P4) into the hole of the seat backrest(P1&P2) as shown.



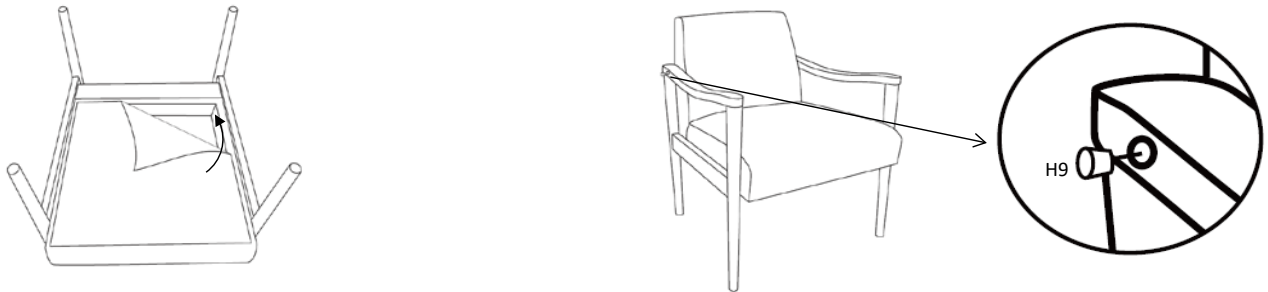
Step 5. Insert the flat washer (H5), lock washers (H4) and bolts (H2) to the right armrest (P4). Securely tighten all bolts with Allen wrench (H7) in right way. Use the same Step 4 and Step 5 to assembly the left armrest (P3) to seat backrest (P1 & P2).



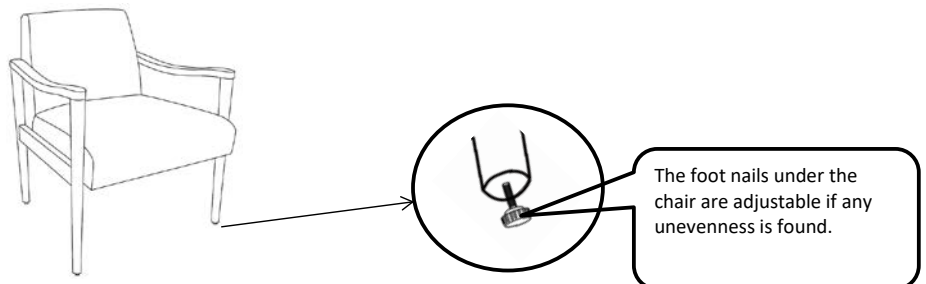
Step 6. Insert the flat washer (H6), lock washers (H4) and nuts (H3) to the end of stud (H1) to assembly the armrests (P3 & P4) to seat backrest (P1 & P2). Tighten all the nuts (H3) by spanner (H8).



Step 7. Close the black fabric on the bottom. Place the chair upright on a level surface. Put the Wood plugs (H9) into the hole of the arms (P1 & P2).



Step 8. Assembly is complete.



ADDITIONAL NOTE ABOUT SAFETY: BOLTS MAY LOOSEN DURING NORMAL EVERYDAY USE. THEY SHOULD BE PERIODICALLY INSPECTED AND RE-TIGHTENED TO PREVENT DAMAGE OR INJURY. ALWAYS CHECK TO ENSURE THAT ALL HARDWARE IS KEPT TIGHTENED.

Thank you for your purchase