

SETUP AND OPERATION GUIDE

TRIPLE PWR RECLINER

SKU: 18504781/ 18504793/ 18504806/ 18504818

Vendor Code: MVLC

TABLE OF CONTENTS

Important Safety Instructions	2
Assembly of Your Lift Chair or Recliner	
Chair Assembly	3
Operating Instructions For Triple Power Sku's	4
Troubleshooting	5

Note:

When placing the furniture on non-carpeted flooring, it is recommended to use some type of floor protection such as an area rug or furniture pads under the chair glides. Area rugs and padding are not included with purchase.

- **NOTE:** This device complies with part 15 of the FCC rules. Operation is subject to the following two conditions: (1) this device may not cause interference, and (2) this device must accept any interference, including interference that may cause undesired operation of the device. Modifications not approved by the party responsible for compliance could void user's authority to operate the equipment.

This power furniture is not intended for use by persons(including children)with reduced physical, sensory or mental capabilities, or lack of experience and knowledge, unless they have been given supervision or instruction regarding the use of this item by a party responsible for their safety.

Children should be supervised to ensure that they do not play with or mishandle any part of the operating system of this item.

IMPORTANT SAFETY INSTRUCTIONS

READ ALL INSTRUCTIONS BEFORE USING.

WARNING: To reduce the risk of burns, fire, electric shock, or injury to persons:

1. **DANGER:** To reduce the risk of electric shock-Always unplug this furnishing from the electrical outlet before cleaning.
2. Unplug from outlet before putting on or taking off parts.
3. Close supervision is necessary when used by or near children, or disabled people.
4. Use this furnishing only for its intended use as described in these instructions. Do not use attachments not recommended by the manufacturer.
5. Never operate this furnishing if it has a damaged cord or plug, if it is not working properly, if it has been dropped or damaged, or dropped into water.
6. Keep the cord away from heated surfaces.
7. Never drop or insert any object into any opening.
8. Do not use outdoors. Just for household indoor use only.
9. To disconnect, turn all controls to the off position, the remove plug from outlet.
10. **WARNING:** Risk of injury - Keep children away from extended foot support.
11. **WARNING:** Risk of injury to Persons – do not use this furnishing to support video equipment such as televisions or computer monitors.
12. When not in use, it is recommended that the wand be stored securely in the pocket on the outside of the arm.

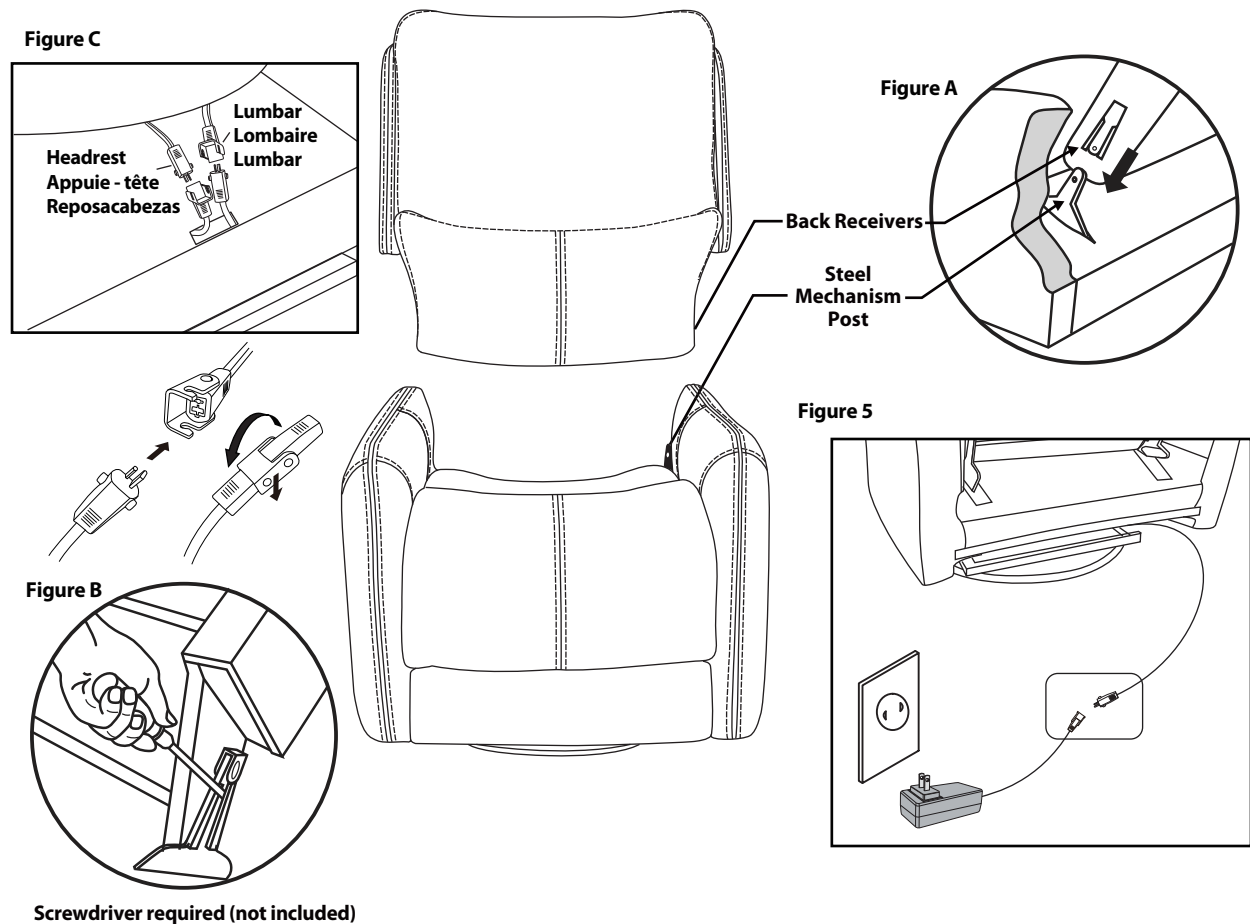
SAVE THESE INSTRUCITONS.

SERVIVING OF DOUBLE- INSULATED PRODUCTS.

In a double-insulated product, two systems of insulation are provided instead of grounding. No grounding. No grounding means is provided on a double-insulated product, nor is a means for grounding to be added to the product. Servicing a double-Insulated Product requires extreme care and knowledge of the system, and is to be done only by qualified service personnel. Replacement parts for a double-insulated product must be identical to the parts they replace.

CHAIR ASSEMBLY

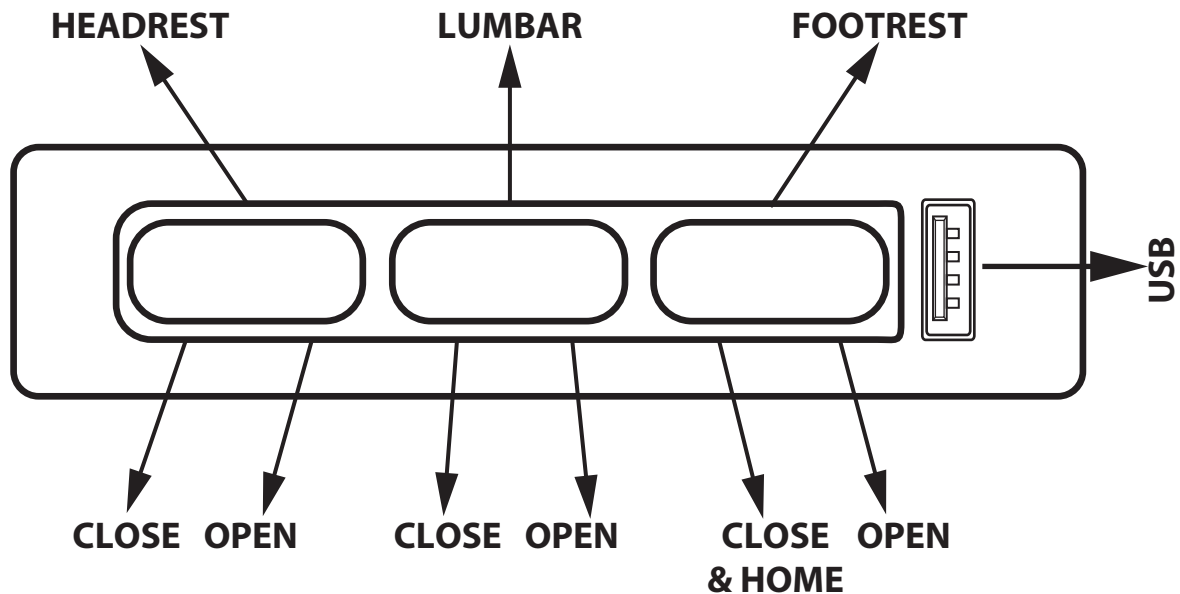
ATTACHING THE CHAIR BACK TO THE CHAIR BASE



CAUTION: PLEASE READ ALL INSTRUCTIONS CAREFULLY BEFORE STARTING ASSEMBLY PROCESS. IT IS RECOMMENDED TO USE TWO PEOPLE WHEN ASSEMBLING AND REMOVING THE INSIDE BACKS TO AND FROM THE BASE OF THE FURNITURE.

- STEP1: Slide inside back receivers onto the steel mechanism posts in the base of the chair. (Figure A)
- STEP2: Press both sides of the back firmly into place until the back automatically locks into track.
- STEP3: To remove the back from the base, use a screwdriver pressing outward on the black tab in the metal receivers on both sides of the chair back and lift the back from the base of the chair to release. (Figure B)
- STEP4: Connect the Headrest and Lumbar cable plugs (Figure C). Headrest-only models have only one set of cables.
- STEP5: Connect the power cord.

OPERATING INSTRUCTIONS FOR TRIPLE POWER SKU'S



To recline: Sit on the furniture, and press the front of the button closest to the footrest to smoothly raise the footrest and recline to any position. To lower the footrest and return to an upright position, press the back side of the button closest to the footrest.

To adjust headrest: Press the front of the button closest to the backrest to smoothly raise and adjust the headrest to any position. To lower the headrest and return it to its original position, press the back side of the button closest to the backrest.

To adjust lumbar support: Press the front of the center button to smoothly raise and adjust the lumbar support to any position. To lower the lumbar support and return it to its original position, press the back side of the center button.

To close all: To simultaneously return the headrest, footrest, and lumbar support to their original positions, press and hold the back side of the button closest to the footrest.

TROUBLE SHOOTING

PROBLEM	POSSIBLE FACTORS	SOLUTIONS
Chair doesn't recliner or lift	Transformer may not be connected well	<ul style="list-style-type: none">• Check the power supply has been correctly connected to transformer and socket• Confirm the wire from chair to transformer is firmly connected
Headrest or Lumbar doesn't work	Headrest or lumbar motor wires may not be connected well inside back flap of chair	<ul style="list-style-type: none">• Check the headrest and lumbar motor wires have been correctly connected
Headrest and lumbar work oppositely	Headrest and lumbar motor plug have been cross connected	<ul style="list-style-type: none">• Check the headrest and lumbar motor wires (labeled) have been correctly connected
The side switch doesn't work	Side switch may not be connected well	<ul style="list-style-type: none">• Check the side switch cord has been correctly connected to plug



Customer Service

If you have any questions regarding the use of this unit, or find that your unit needs service, please contact your retailer.

- **NOTE:** This device complies with part 15 of the FCC rules. Operation is subject to the following two conditions: (1) this device may not cause interference, and (2) this device must accept any interference, including interference that may cause undesired operation of the device. Modifications not approved by the party responsible for compliance could void user's authority to operate the equipment.