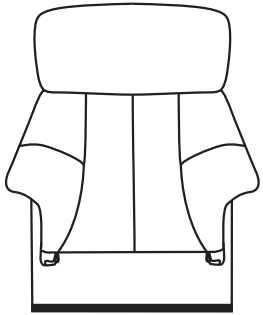


(1)X1



U1 Complete back

(4)X1



M4 Center column

(5)X2



M5 Plates

(6)X5



M6 bolt M8*55

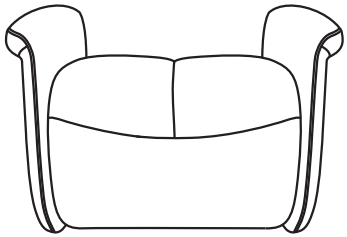
(7)X1



M7 allen wrench

M6-7 Hardware kit

(2)X1



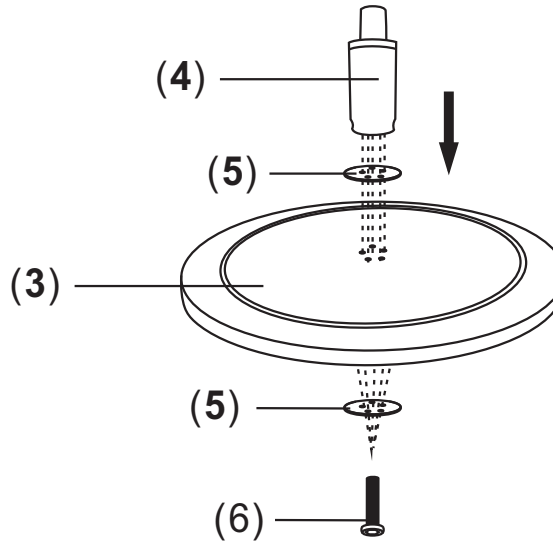
U2 seat & mech combo

(3)X1

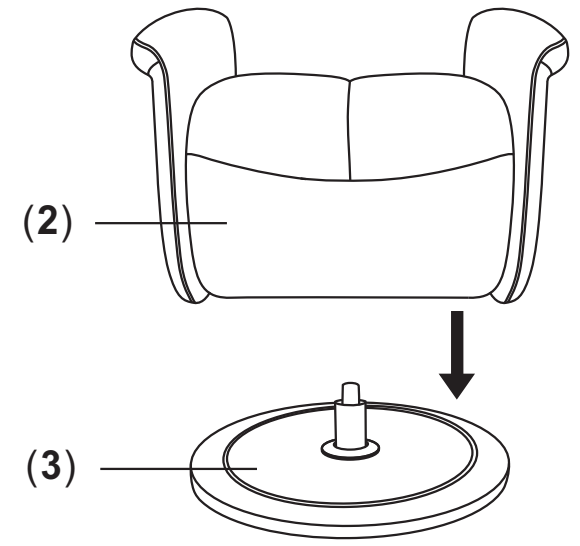


UW3 base

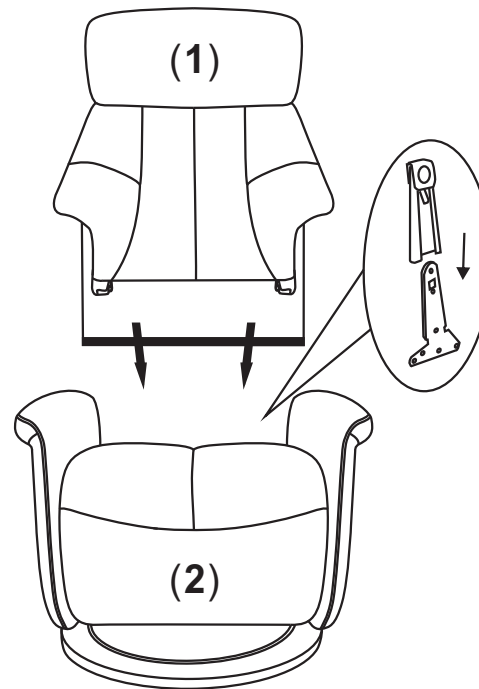
1



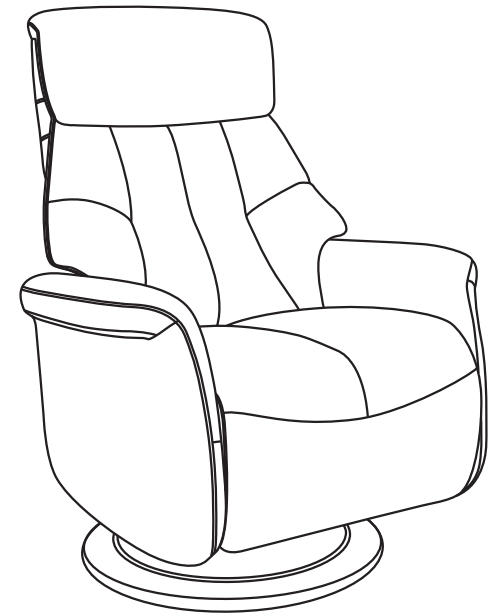
2



3



4



#710