





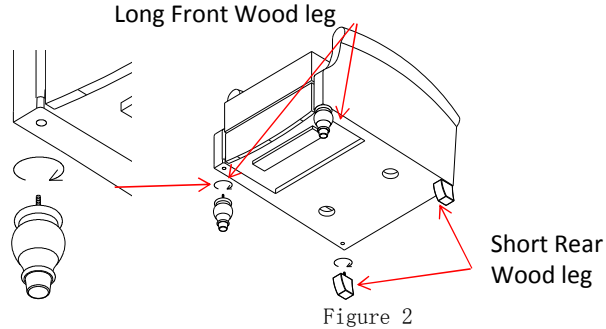
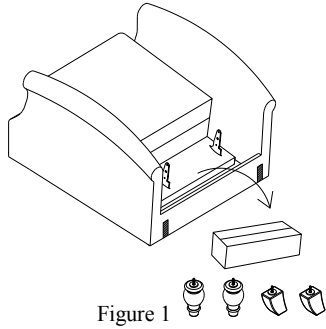
Manufactured for Rooms To Go

Assembly Instructions

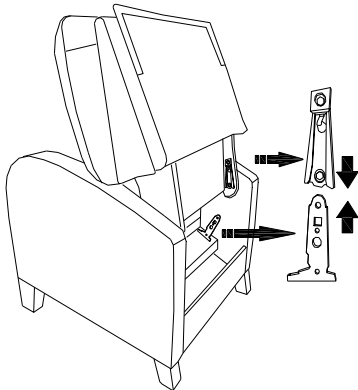
SYNE 1267-86 Pushback Recliner SKU# 18512675 18512687

*****CAUTION: The item is heavy, assembly should be performed by two people in soft surface**

PARTS LIST			
Long Front wood Leg		Short Rear wood Leg with wood plug 2 pieces	

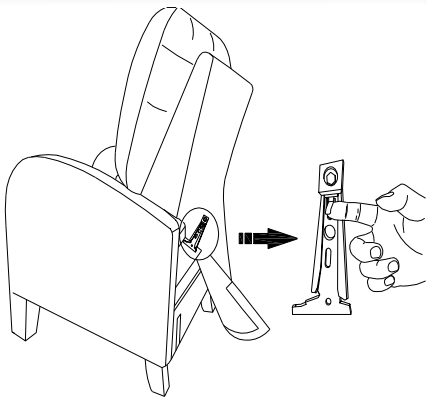
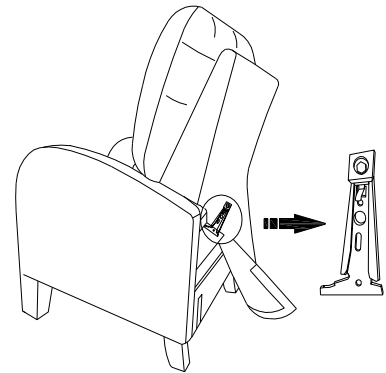


1. The Wooden Legs are located at the rear of seat cushion, remove all the Wooden Legs from the box(See Figure 1). Attach each wooden leg to its corresponding pre-drilled hole by turning in a clockwise direction until secure (this can be done by hand(See Figure 2).

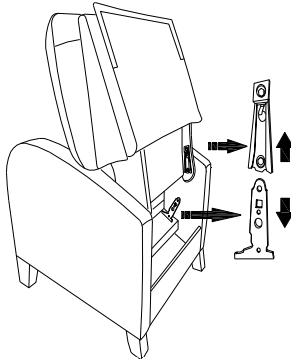


1. Align top brackets on both sides with metal posts.

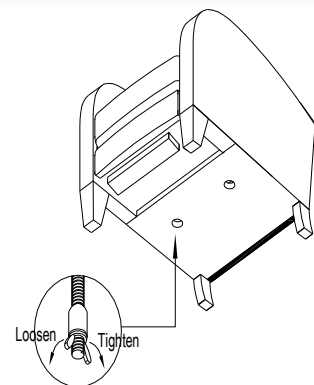
2. Press both sides of the back firmly down and into a locked position. The back should automatically lock into place.



3. To remove the back, lift the tab on both sides and pull the back straight up. Note: if there is difficulty in getting the back to lock into place check to see that the tab is engaged in the proper space.



4. To make the chair easier to recline, tip it on its back and turn the tension adjusters counter clockwise. Turn them clockwise to increase the resistance needed to recline. Note: to keep the chair tension balanced, turn both sides in equal amounts.



Note: There are no tension adjusters on mechanisms #1632, #1671, #1672, #2032, #2034, or #2072. But mechanisms #8550, #2000, 7550 or #8546 have the tension adjusters and you can get the mechanism numbers from the side of the mechanism. Follow point 5 above to adjust the tension.