



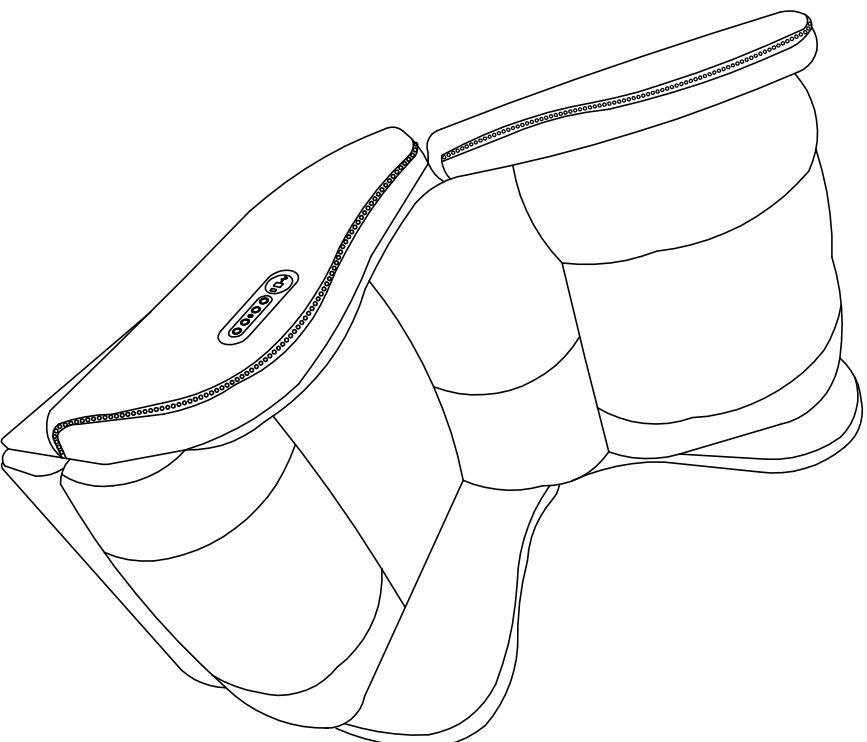
DAVIS DIRECT

ASSEMBLY INSTRUCTION

VENDOR CODE: DVDR

STOCK#: 1502-60 DUAL POWER RECLINER

SKU#: 18515138





DAVIS DIRECT



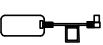
LIST OF PART

VENDOR CODE: DVDR
STOCK#: 1502-60 DUAL POWER RECLINER

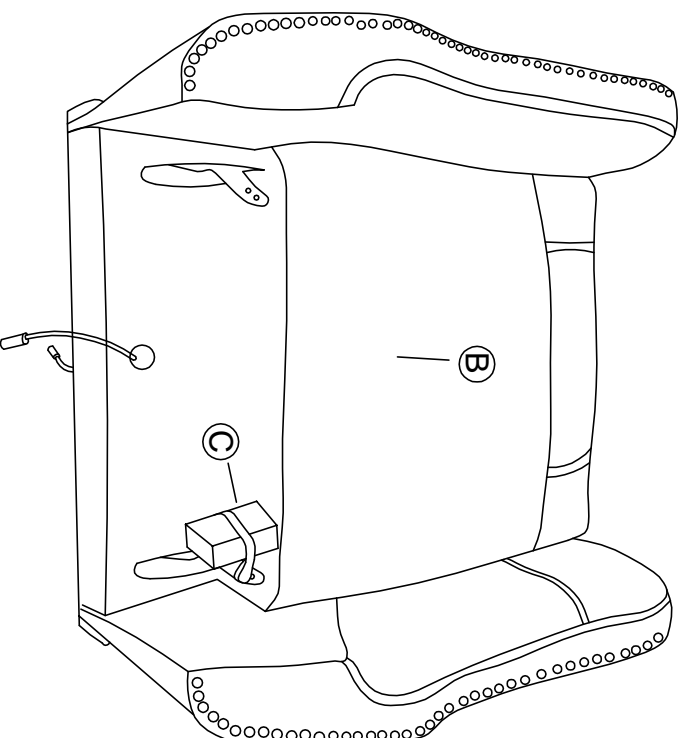
SKU#: 18515138

TOOLS REQUIRED: NO

PART LIST

NO	Description	Sketch	Quantity
A	CHAIR BACK		1
B	SEAT FRAME		1
C	POWER CORD (bind on bottom metal frame)		1

Location of KD parts



The power cord binds on the metal frame



DAVIS DIRECT

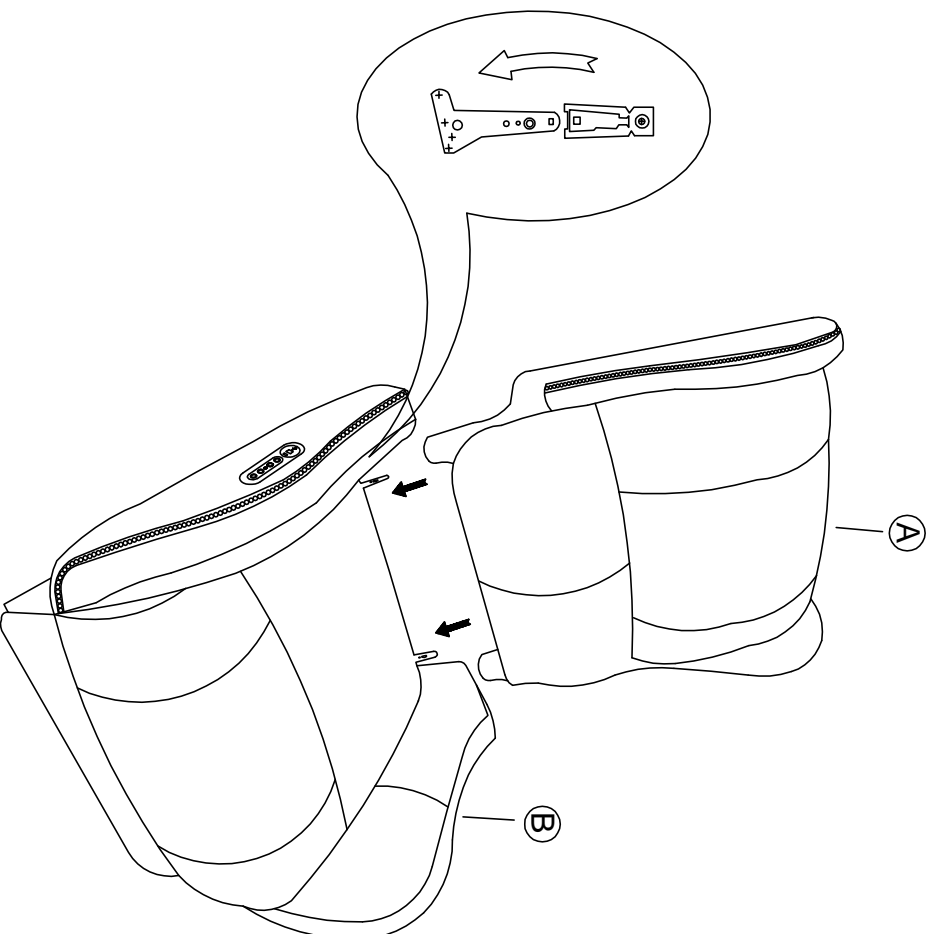
LIST OF PART

VENDOR CODE: DVDR

STOCK#: 1502-60 DUAL POWER RECLINER

SKU#: 18515138

STEP 1: Insert chair back (A) into seat frame (B).





DAVIS DIRECT

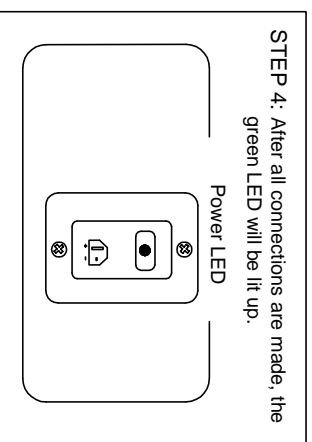
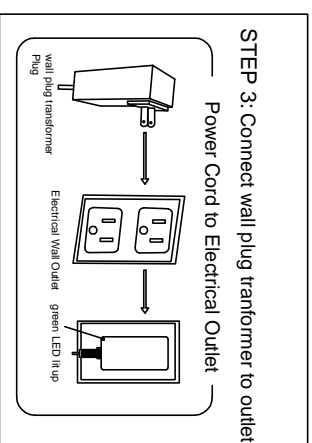
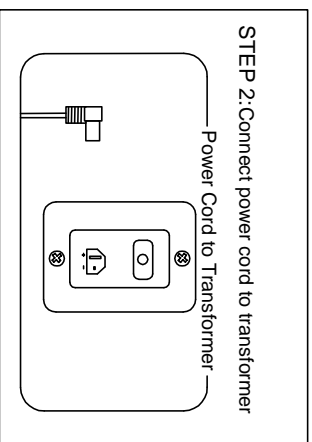
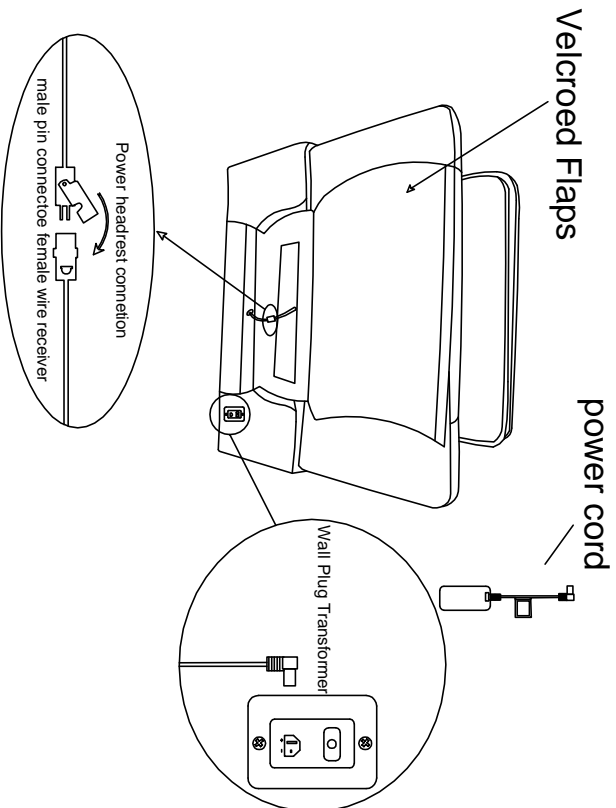
ASSEMBLY INSTRUCTION

VENDOR CODE: DVDR

STOCK#: 1502-60 DUAL POWER RECLINER

SKU#: 18515138

Ensure that wall power outlet is operational. Connect firmly one end the wall plug transformer cord into the DC adaptor located in the lower back corner of the right recliner and plug the other end of the transformer cord into a power outlet/wall socket. After all the connections are made, the green LED light will be lit up.





DAVIS DIRECT

VENDOR CODE: DVDR
STOCK#: 1502-60 DUAL POWER RECLINER

SKU#: 18515138

POWER CONNECTIONS

ENGLISH

IMPORTANT SAFETY INSTRUCTIONS

⚠ WARNING

Misuse can result in FIRE or DEATH by ELECTRICAL SHOCK

29 VDC/ 2.0A

MAN WAH (MACAO COMMERCIAL OFFSHORE) LIMITED

141600654

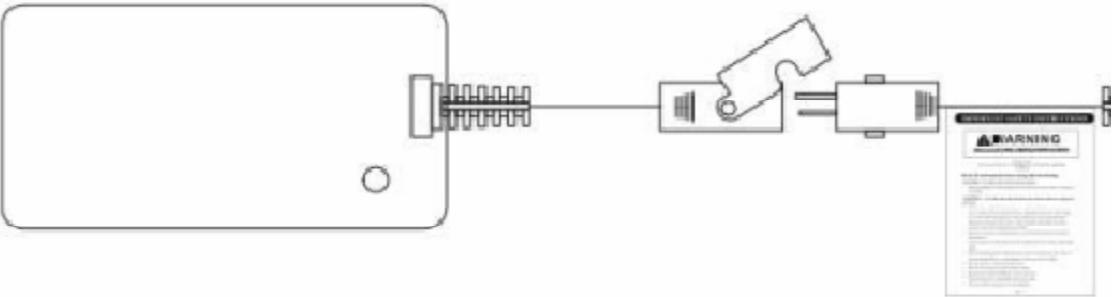
Read all instructions before using this furnishing.

DANGER-To reduce the risk of electric shock:

- Always unplug this furnishing from the electrical outlet before cleaning or servicing

WARNING-To reduce the risk of burns, fire, electric shock, or injury to persons:

- Unplug from outlet before putting on or taking off parts.
- Never operate this furnishing if it has a damaged electrical cord or plug; if it is not working properly, or if the electrical cord or plug has been damaged or dropped into water. Stop using this furnishing and call a service center for examination and repair
- Keep the electrical cord and plug away from heated surfaces and other heat sources
- To disconnect, turn all controls to the off position, then remove plug from outlet
- When operating, ensure that electrical cord is not under the base, legs, or motion mechanism to avoid damage to electrical cord or plug
- Do not strain or stretch electrical cord.
- Do not use extension cords or power strips
- Keep out of reach of children This is not a toy
- Plug directly into a compatible electrical socket
- Do not modify the plug or use any adapters



SPANISH

INSTRUCCIONES DE SEGURIDAD IMPORTANTES

⚠ WARNING

El mal uso puede provocar INCENDIO o MUERTE por DESCARGA ELÉCTRICA

29 VDC/ 2.0A

MAN WAH (MACAO COMMERCIAL OFFSHORE) LIMITED

141600654

Leer todas las instrucciones antes de usar este mobiliario.

PELIGRO - Para reducir el riesgo de descarga eléctrica:

- Siempre desenchufe este accesorio de la toma de corriente eléctrica antes de limpiarlo o repararlo.

ADVERTENCIA: para reducir el riesgo de quemaduras, incendios, descargas eléctricas o lesiones a personas:

- Desenchufe del tomacorriente antes de colocar o quitar partes.
- Nunca opere este accesorio si tiene un cable o enchufe eléctrico dañado, si no funciona correctamente, o si el cable o el enchufe eléctrico se ha dañado o se ha caído al agua. Deje de usar este equipamiento y llame a un centro de servicio para que lo examinen y lo reparen.
- Mantenga el cable eléctrico y el enchufe lejos de superficies calientes y otras fuentes de calor.
- Para desconectar, gire todos los controles a la posición de apagado. Luego retire el enchufe del tomacorriente.
- Al operar, asegúrese de que el cable eléctrico no esté debajo de la base, las patas o el mecanismo de movimiento para evitar dañar el cable eléctrico o el enchufe.
- No fuerce ni estire el cable eléctrico.
- No utilice cables de extensión o tomas de corriente.
- Mantener fuera del alcance de los niños. Esto no es un juguete
- Enchúfelo directamente a una toma de corriente compatible.
- No modifique el enchufe ni utilice adaptadores.



DAVIS DIRECT

ASSEMBLY INSTRUCTION

VENDOR CODE: DVDR

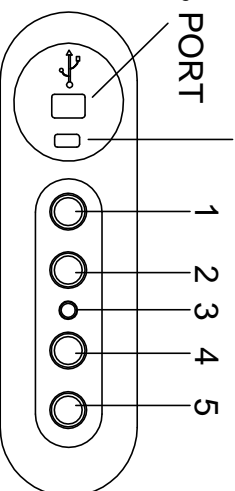
STOCK#: 1502-60 DUAL POWER RECLINER

SKU#: 18515138

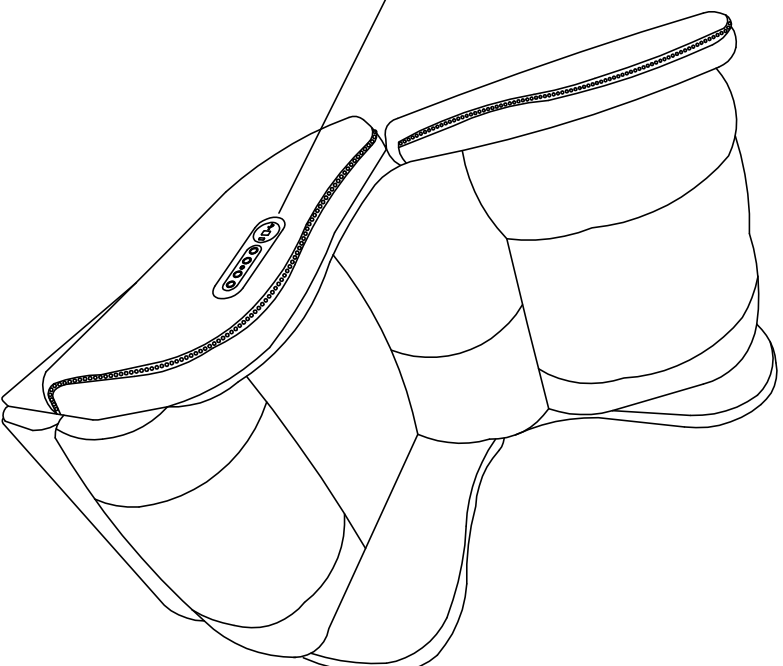
Direction

TYPE C PORT

USB PORT



1. Press button (1) Seat forward
2. Press button (2) Seat backward
3. Press button (3) Home button
4. Press button (4) Headrest forward
5. Press button (5) Headrest backward



To remove the inside backs, use a screwdriver pressing outward on the black tab in the metal sleeve on both side of the inside back and lift the inside back from the base of the furniture. (The screwdriver is not included.)

