



Manufactured for Rooms To Go

# ZMEG MANUAL RECL AND OTTO

SKU# 18519566

SKU# 18519578

SKU# 18519580



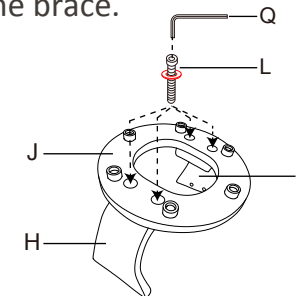
## LIST OF PARTS

TOOLS REQUIRED:NO TOOLS REQUIRED

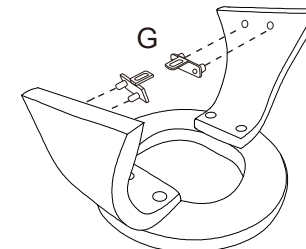
### PART LIST

NO	Description	Item	Quantity	NO	Description	Item	Quantity	Size
A	Backrest		1	K	Chair Base		1	/
B	Seat		1	L	Screw		10	M8*35*25
C	Left armrest		1	M	Screw		2	M6*18*15
D	Right armrest		1	N	Screw		2	M8*70*25
E	Knob		1	O	Screw		4	M6*40*35
F	Ottoman seat		1	P	Clips		2	/
G	Metal plate		2	Q	Allen Key		1	M8
H	Left brace		1	R	Allen Key		1	M6
I	Right brace		1					
J	Ottoman Base		1					

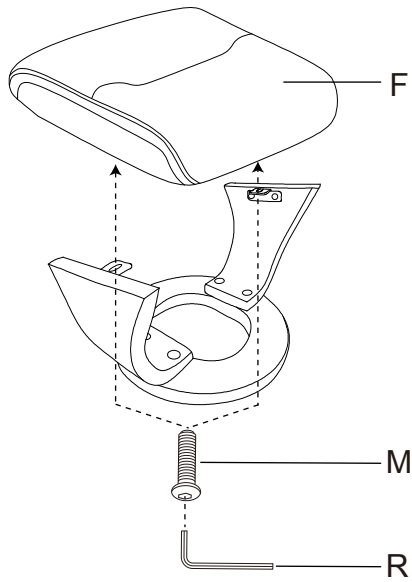
1. Fix the base to the brace.



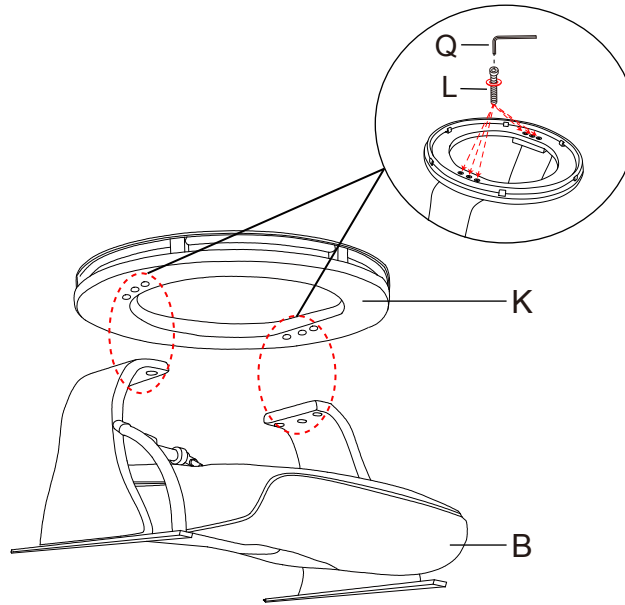
2. Insert the metal plate into brace.



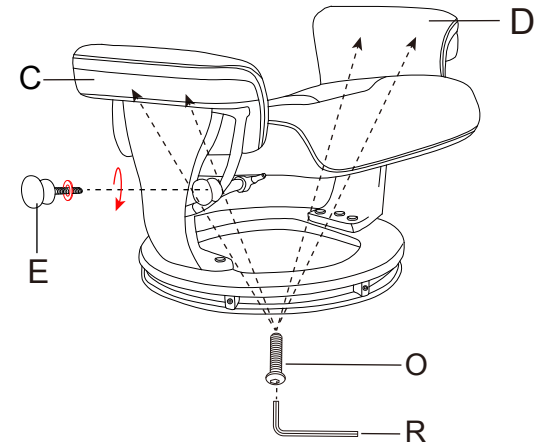
3. Assemble the Ottoman seat with base.



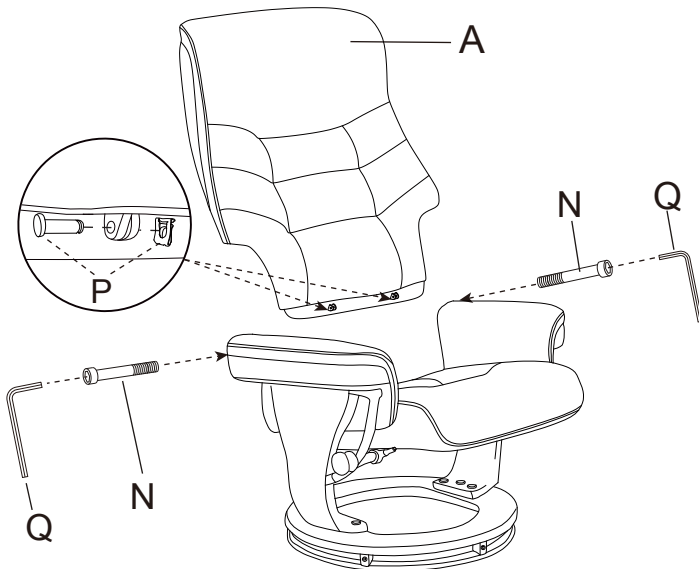
4. Fix the base to the seat.



5. Assemble the armrests.



6. Assemble the backrest.



7. The whole chair is assembled.

