



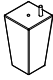

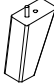
Manufactured for Rooms To Go

## Assembly Instructions

1563-86 Pushback Recliner

SKU# 18525634 18525646 18525658 18526660 18525684  
18525709 18525711 18525735

**\*\*\*CAUTION: The item is heavy, assembly should be performed by two people in soft surface**

PARTS LIST			
Long Front wood Leg with wood plug 2 pieces		Bolts 4 pieces (M8*3.54, 18 thread per inch)	
Short Rear wood Leg with wood plug 2 pieces			

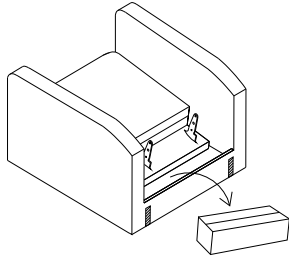
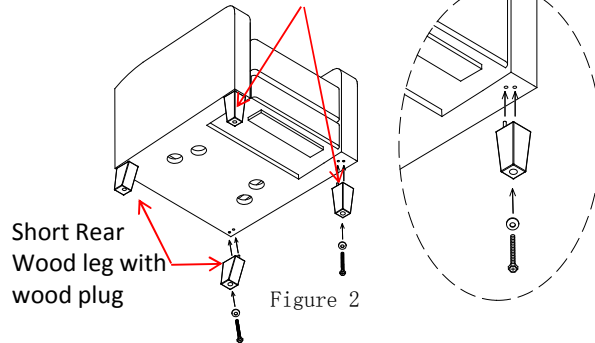
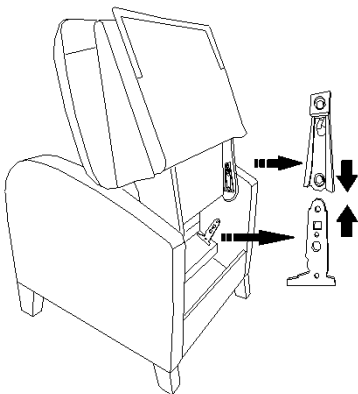


Figure 1  iii

Long Front Wood leg with wood plug

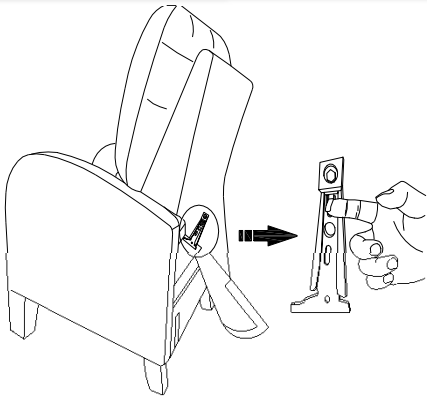
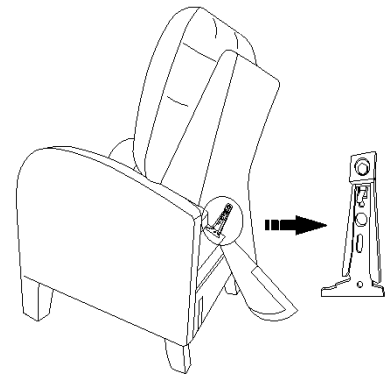


**1.** The Wooden Legs are located at the rear of seat cushion, remove all the Wooden Legs from the box(See Figure 1). Attach each wood leg to the bottom of product using bolts and then customer need to use their own screwdriver to tighten all bolts securely. (See Figure 2). **DO NOT REMOVE BUBBLE-WRAP UNTILL ALL LEGS ARE INSTALLED AND THE FURNITURE IS UP RIGHT.**

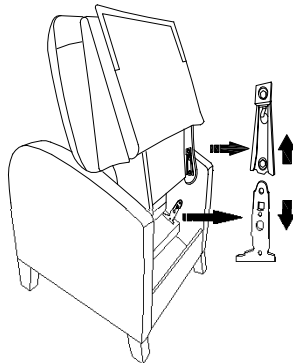


**1.** Align top brackets on both sides with metal posts.

**2.** Press both sides of the back firmly down and into a locked position. The back should automatically lock into place.



**3.** To remove the back, lift the tab on both sides and pull the back straight up. Note: if there is difficulty in getting the back to lock into place check to see that the tab is engaged in the proper space.



Note: There are no tension adjusters on mechanisms #1632, #1671, #1672, #2032, #2034, or #2072. But mechanisms #8550, #2000, or #8546 have the tension adjusters and you can get the mechanism numbers from the side of the mechanism. Follow point 5 above to adjust the tension.

**4.** To make the chair easier to recline, tip it on its back and turn the tension adjusters counter clockwise. Turn them clockwise to increase the resistance needed to recline. Note: to keep the chair tension balanced, turn both sides in equal amounts.

