

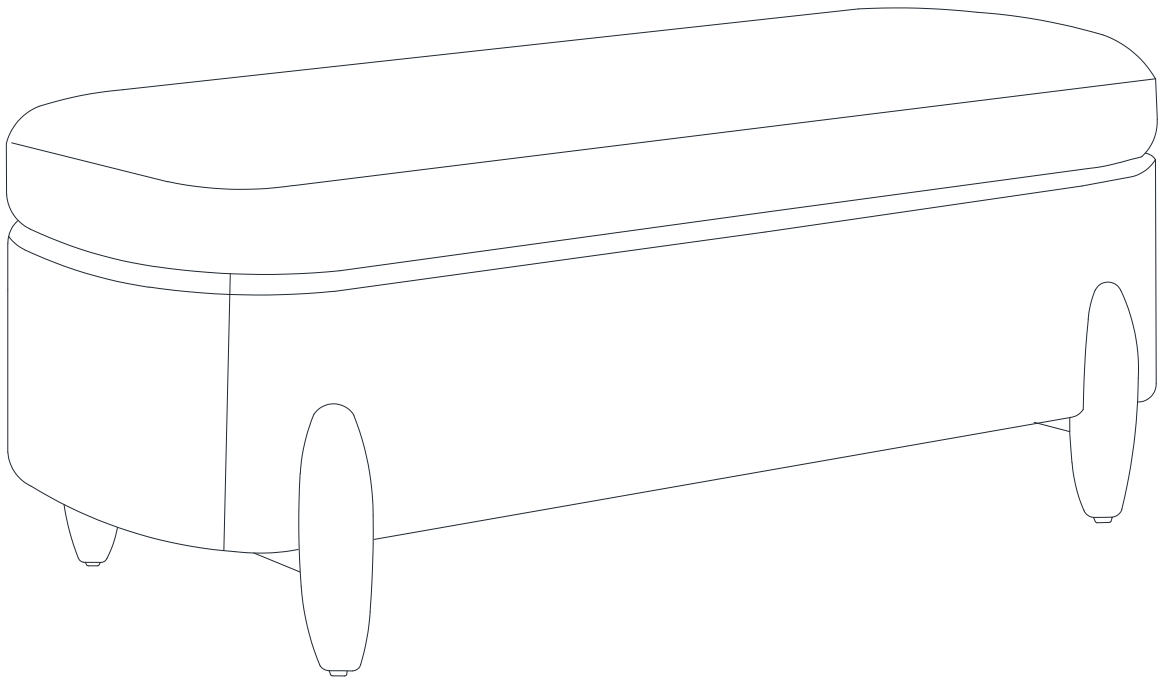
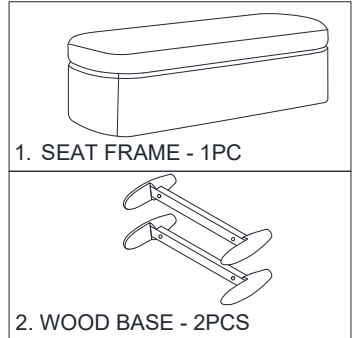


# Assembly Instructions

LTID #2649WG William Storage Bench White/Grey Boucle SKU# 18526496


STEP	CODE	HARDWARE		Q'TY
2	A	BOLT (5/16" x18x40mmL)		4 PCS
		LOCK WASHER (5/16")		
		FLAT WASHER (5/16" x 19mm)		
2	B	5mm HEX WRENCH		1 PC

## PARTS



**Hardware Pack Location(s):**  
Put inside the storage of bench.

LTID #2649WG William Storage Bench White/Grey Boucle SKU# 18526496

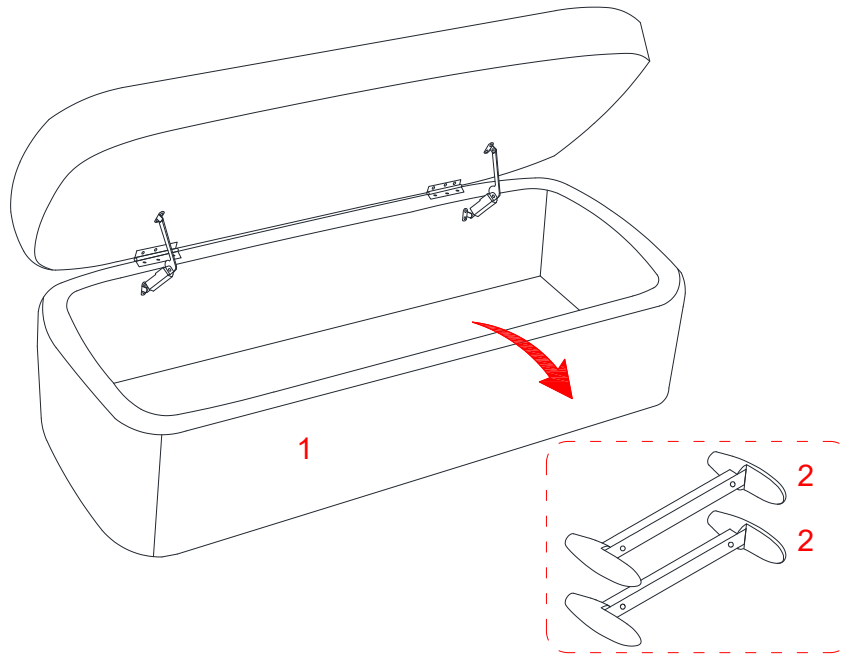
The product is manufactured by (LTID) for **ROOMS TO GO** 

Version #1 Date 2025-12-10 Page 1 of 4

# Assembly Instructions

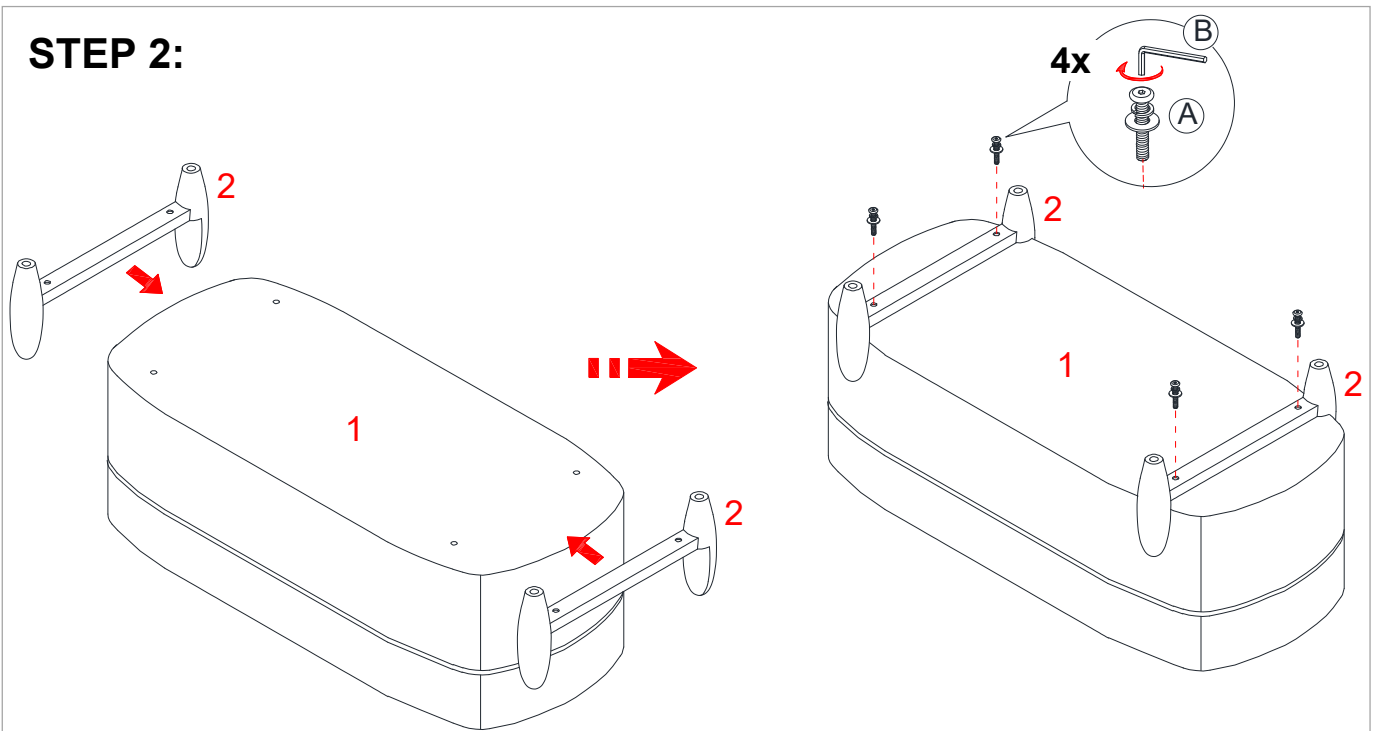
LTID #2649WG William Storage Bench White/Grey Boucle SKU# 18526496

## STEP 1:



- 1.1 Assemble this item on a flat and protective surface such as carpet or cardboard.
- 1.3 Open the lid and take out the Wood Base (2) from the storage area of the Seat Frame (1).

## STEP 2:



- 2.1 Place the Seat Frame (1) upside down as shown. Gently push the Wood Base (2) from two narrow sides of the Seat Frame (1) until the assembly holes on both parts (1&2) are well aligned.
- 2.2 Secure Wood Base (2) to the Seat Frame (1) by using Bolt (A) with Washers (A) and then tighten with Hex Wrench (B). \*\*Tips: DO NOT fully tighten any bolt before all bolts are properly engaged with the threaded holes.

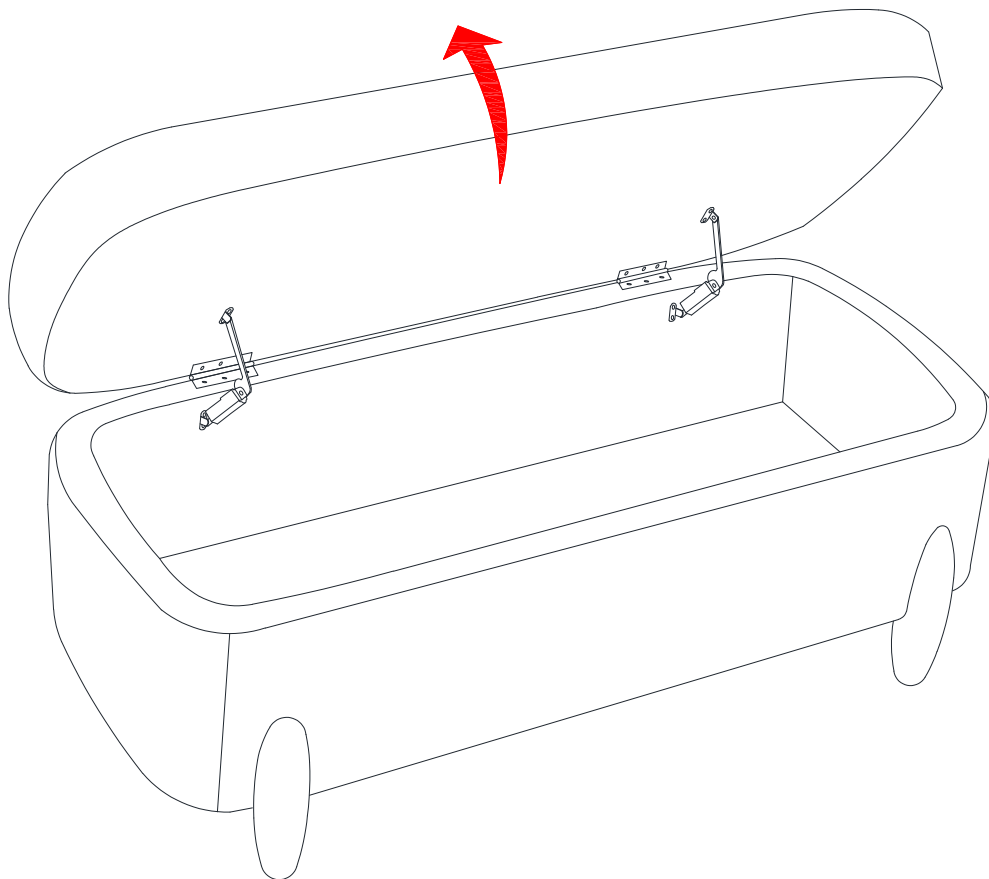
The product is manufactured by (LTID) for **ROOMS TO GO** ▶

# Assembly Instructions

LTID #2649WG William Storage Bench White/Grey Boucle SKU# 18526496

---

## STEP 3:



- 3.1 With the assistance of another person, turn the assembled bench upright and position it at the desired location.
- 3.2 This bench is designed with a storage function. Open the lid of the bench as indicated to access the storage area. The maximum recommend load weight in the storage is 50lbs. Do not put heavy stuff inside.

The product is manufactured by (LTID) for **ROOMS TO GO** ▶

# CARING FOR YOUR FURNITURE

## Protect your investment

The beauty of furniture care is that it helps to protect your investment, as fine furniture is an important purchase. Proper care will help maintain your furniture's finish and ensure that it looks great year after year.

### Caring for furniture

Caring for furniture is easy. Following a few simple guidelines will help extend the life of your furniture.

- **Always dust with a cloth moistened with polish.** Polish cushions the cloth, eliminating the scratching that occurs with dry dusting. Dust will scratch furniture if not removed quickly. Use a soft, clean cloth that won't scratch the surface. Avoid coarse or scratchy materials or fabrics.
- **Avoid using soap and water on furniture.** Water can penetrate the finish and raise the grain on wood. Causing damage.

### The Enemies of Furniture

Many common problems in furniture care are caused by the elements. If you are aware of these troublemakers, the resulting damage can easily be avoided.

- Sunlight's ultraviolet rays can damage wood finishes. Arrange furniture out of direct sunlight use sun screening drapes during intense sunlight hours, rotate furniture in place and room arrangement.
- Liquid spills will damage furniture if not removed promptly. Use coasters under beverage glasses and saucers under cups and flowerpots. If a spill occurs, immediately blot it gently without rubbing the surface.
- Heat creates a chemical change in the furniture finish, which can result in a white spot. Use protective mats under hot dishes, utensils or cooking appliances.
- Cyclic changes in temperature can damage furniture. Placing furniture near to central heating radiators and air ducts should be avoided because this causes extreme localized drying of the wood.

### Tips for Better Dusting

- Be sure to use the same type of polish consistently. Your furniture will appear cloudy or streaky if oil based or wax-based polishes are interchange.
- **Always use a fine furniture polish when dusting.** Never dry dust, as it could cause microscopic scratches on your furniture's surface. Remember to change dusting cloths frequently since a dirty cloth may scratch your furniture's surface.
- Spray your furniture surface evenly, but not too generously. Wipe in a circular motion with a soft, clean cloth to clean and loosen old polish.
- Then buff until completely dry for a beautiful shine and a smudge free finish. For wood trim spray polish on the cloth first, then dust.