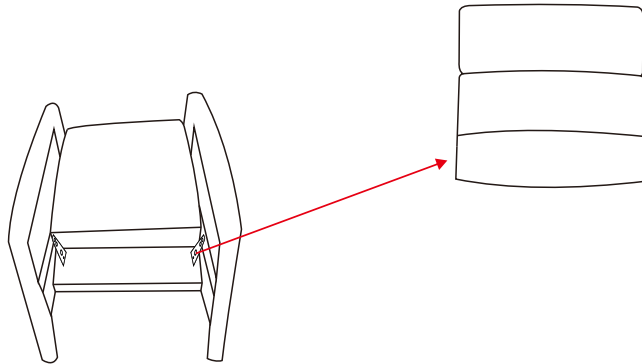
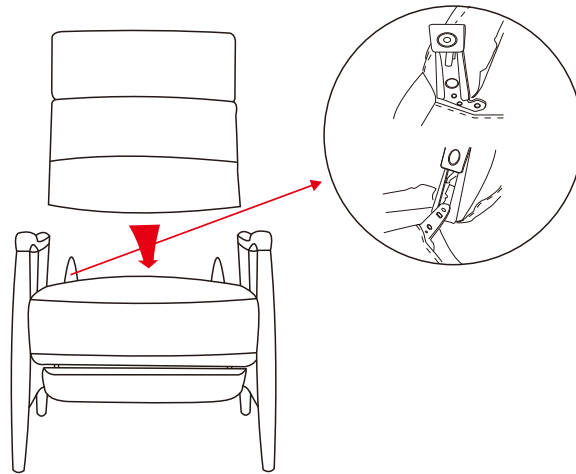


## Step 1.



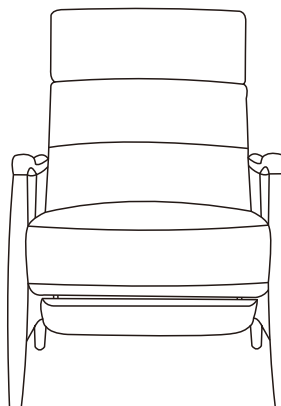
Install the Backrest into the Seat by positioning female metal receiver brackets over male metal posts.

## Step 2.



Push down the female brackets over male posts simultaneously until each side is locked into place an audible “click” is heard.

## Step 3.



Finished Products