









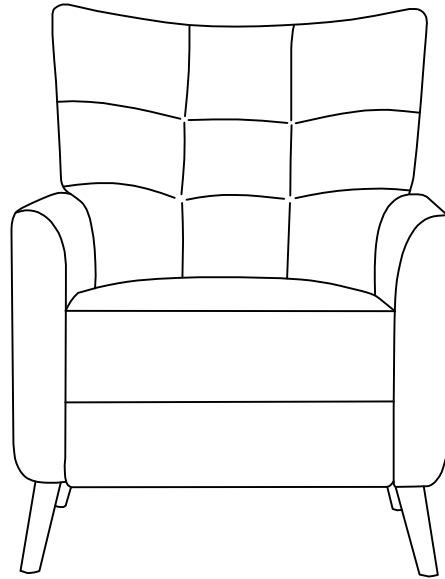
Assembly Instructions

BANC

8226 PUSH BACK RECLINER

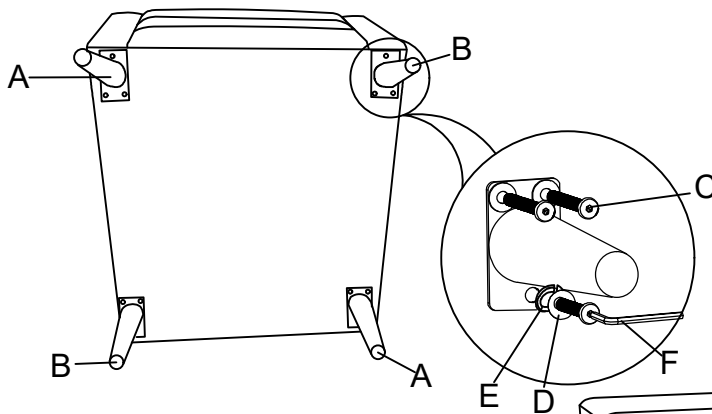
SKU#18552376
 SKU#18553378
 SKU#18554370
 SKU#18556374
 SKU#18557376
 SKU#18558378

Code	Hardware		QTY
A	Left Front Ø50*30*160mm		2 PCS
B	Right Front Ø50*30*160mm		2 PCS
C	Bolt M8*25mm		12 PCS
D	Washer Ø19*Ø8*1.2mm Allen		12 PCS
F	key M5*100*50mm Spring		1 PC
E	Washer Ø13*Ø9*1mm		12 PCS



Read this instruction carefully. Refer hardware and furniture parts are complete before assembling. Place all on a clean and flat soft surface to prevent scratches. Refer steps provided as assembling guide.

Step 1: Step 1: Use Allen key (F) and drive the Bolt (C) with flat washer (D,E) to attach to the timber leg to assembly to leg (A). Repeat step 1 for the other legs (B)



Step 2:

