

SETUP AND OPERATION GUIDE

TRIPLE PWR RECLINER

SKU: 18565703/ 18565715/ 18565727/ 18565739

Vendor Code: MVLC

TABLE OF CONTENTS

Important Safety Instructions	2
Assembly of Your Lift Chair or Recliner	
Chair Assembly	3
Cord and Transformer Connections	4
Hidden Cup Holders with Wireless Charging	5
Operating Instructions For Triple Power Sku's	5
Installation of Back-up Batteries	6
Troubleshooting	6

Note:

When placing the furniture on non-carpeted flooring, it is recommended to use some type of floor protection such as an area rug or furniture pads under the chair glides. Area rugs and padding are not included with purchase.

- **NOTE:** This device complies with part 15 of the FCC rules. Operation is subject to the following two conditions: (1) this device may not cause interference, and (2) this device must accept any interference, including interference that may cause undesired operation of the device. Modifications not approved by the party responsible for compliance could void user's authority to operate the equipment.

This power furniture is not intended for use by persons(including children)with reduced physical, sensory or mental capabilities, or lack of experience and knowledge, unless they have been given supervision or instruction regarding the use of this item by a party responsible for their safety.

Children should be supervised to ensure that they do not play with or mishandle any part of the operating system of this item.

IMPORTANT SAFETY INSTRUCTIONS

READ ALL INSTRUCTIONS BEFORE USING.

WARNING: To reduce the risk of burns, fire, electric shock, or injury to persons:

1. **DANGER:** To reduce the risk of electric shock-Always unplug this furnishing from the electrical outlet before cleaning.
2. **Unplug from outlet before putting on or taking off parts.**
3. **Close supervision is necessary when used by or near children, or disabled people.**
4. **Use this furnishing only for its intended use as described in these instructions. Do not use attachments not recommended by the manufacturer.**
5. **Never operate this furnishing if it has a damaged cord or plug, if it is not working properly, if it has been dropped or damaged, or dropped into water.**
6. **Keep the cord away from heated surfaces.**
7. **Never drop or insert any object into any opening.**
8. **Do not use outdoors. Just for household indoor use only.**
9. **To disconnect, turn all controls to the off position, then remove plug from outlet.**
10. **WARNING: Risk of injury - Keep children away from extended foot support.**
11. **WARNING: Risk of injury to Persons – do not use this furnishing to support video equipment such as televisions or computer monitors.**
12. **When not in use, it is recommended that the wand be stored securely in the pocket on the outside of the arm.**

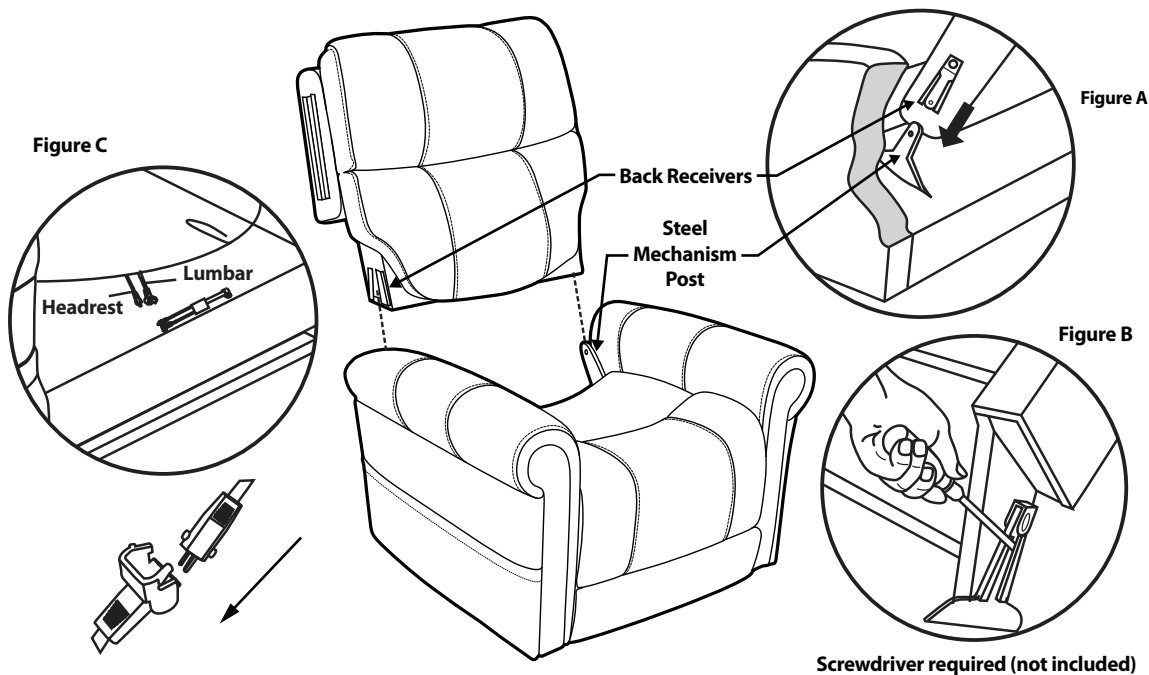
SAVE THESE INSTRUCTIONS.

SERVICING OF DOUBLE- INSULATED PRODUCTS.

In a double-insulated product, two systems of insulation are provided instead of grounding. No grounding. No grounding means is provided on a double-insulated product, nor is a means for grounding to be added to the product. Servicing a double-Insulated Product requires extreme care and knowledge of the system, and is to be done only by qualified service personnel. Replacement parts for a double-insulated product must be identical to the parts they replace.

CHAIR ASSEMBLY

ATTACHING THE CHAIR BACK TO THE CHAIR BASE

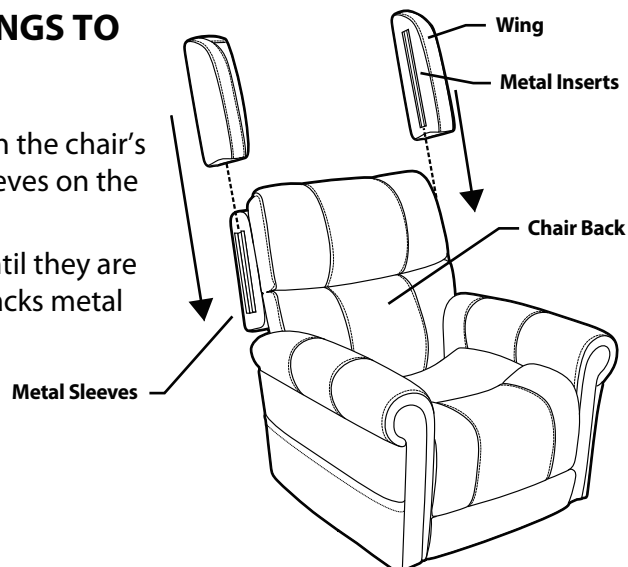


CAUTION: PLEASE READ ALL INSTRUCTIONS CAREFULLY BEFORE STARTING ASSEMBLY PROCESS. IT IS RECOMMENDED TO USE TWO PEOPLE WHEN ASSEMBLING AND REMOVING THE INSIDE BACKS TO AND FROM THE BASE OF THE FURNITURE.

- STEP1: Slide inside back receivers onto the steel mechanism posts in the base of the chair. (Figure A)
- STEP2: Press both sides of the back firmly into place until the back automatically locks into track.
- STEP3: To remove the back from the base, use a screwdriver pressing outward on the black tab in the metal receivers on both sides of the chair back and lift the back from the base of the chair to release. (Figure B)
- STEP4: Connect the Headrest and Lumbar cable plugs (Figure C). Headrest-only models have only one set of cables.

ATTACHING THE CHAIR WINGS TO THE CHAIR BACK *

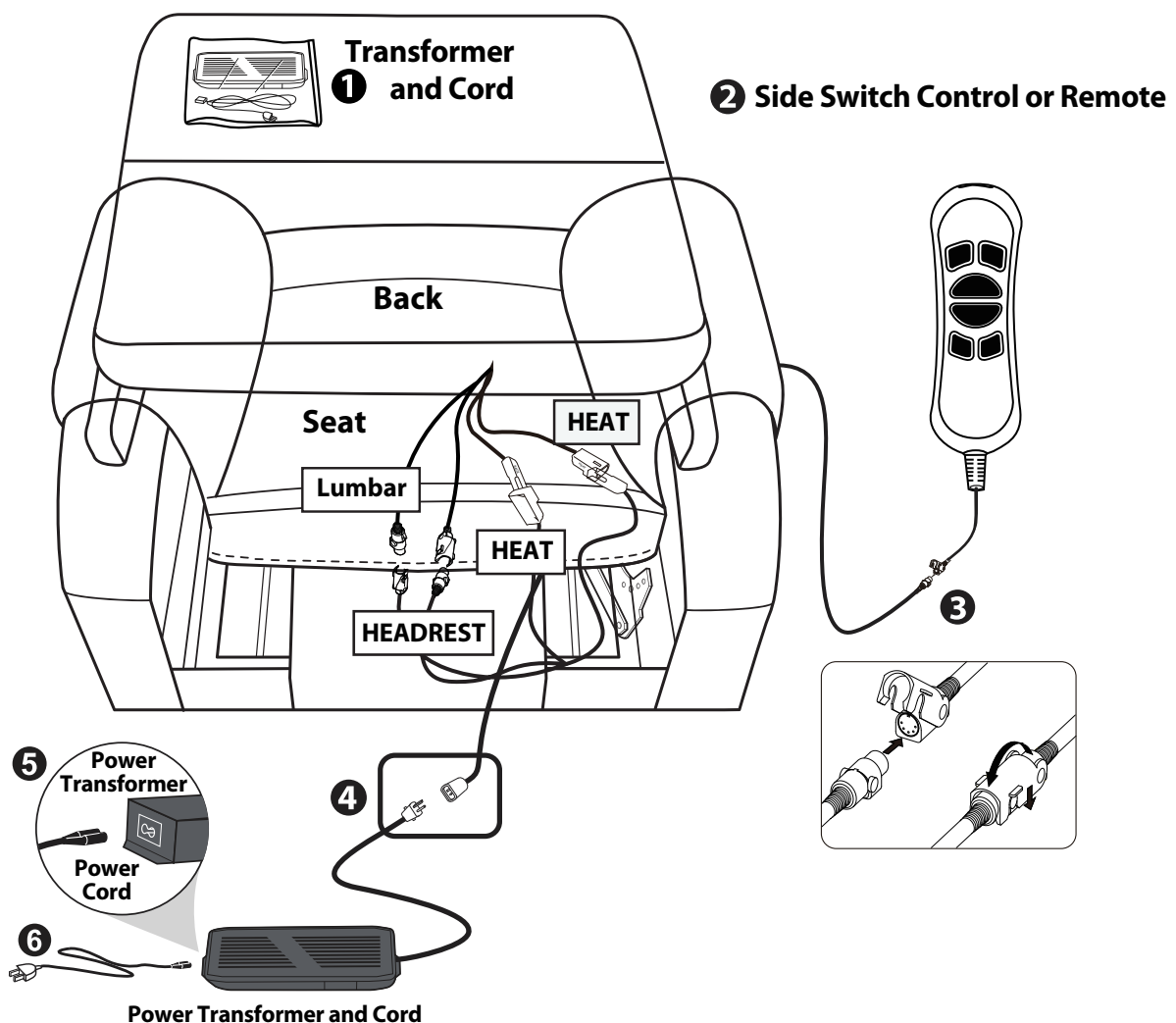
- STEP1: Slide the metal inserts on the chair's wings into the metal sleeves on the side of the chair back.
- STEP2: Slide the wings down until they are completely set on the backs metal sleeves.



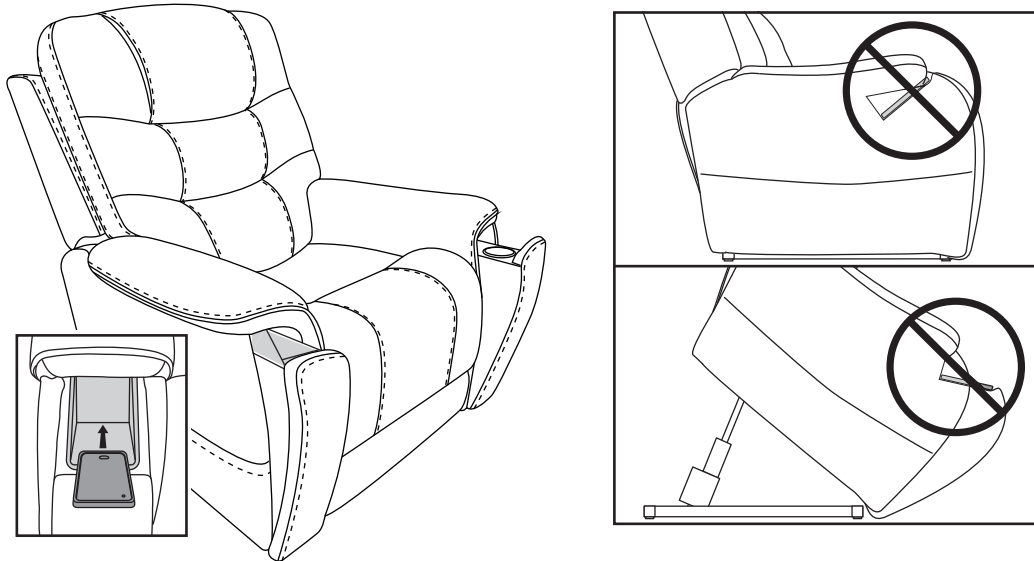
CORD AND TRANSFORMER CONNECTIONS

Once the box has been removed from around the chair, you'll notice the back is laying on top of the seat. There are a couple items to remove from the seat portion of the chair first. Follow the steps below:

1. Remove the zip tie holding the foam bag with the Power Transformer and its cord on the left.
2. You can find a remote in the pocket Panel of the chair.
3. Take out the remote from the side pocket of the chair. Remove the remote from the plastic bag and connect it to the female plug located in the outside pocket of the chair.
4. Connect the Power Transformer to the plug coming from the chair.
5. Connect the Power Cord into the Power Transformer.
6. Connect the Power Cord into an electrical outlet near where the chair will be positioned.
7. Connect the heat pad from the back to the seat.



Hidden Cup Holders with Wireless Charging

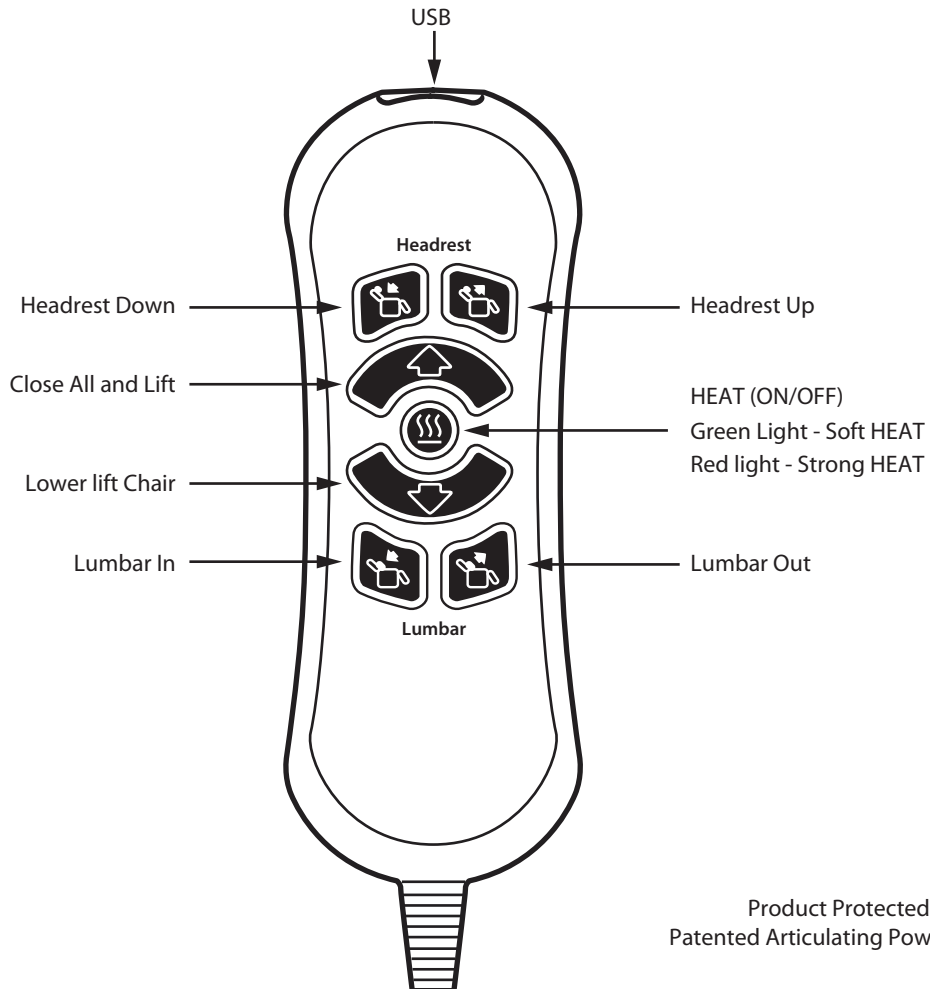


Charging your Smartphone on the Wireless Charger
Open the front of the arm to use the hidden cup holders.



WARNING! Your smartphone may shift or fall out of the charger when the chair is raised. Remove your smartphone from the wireless charger prior to elevating your chair above a seated position. Failure to do so may result in personal injury and/or property damage.

OPERATING INSTRUCTIONS FOR TRIPLE POWER SKU'S

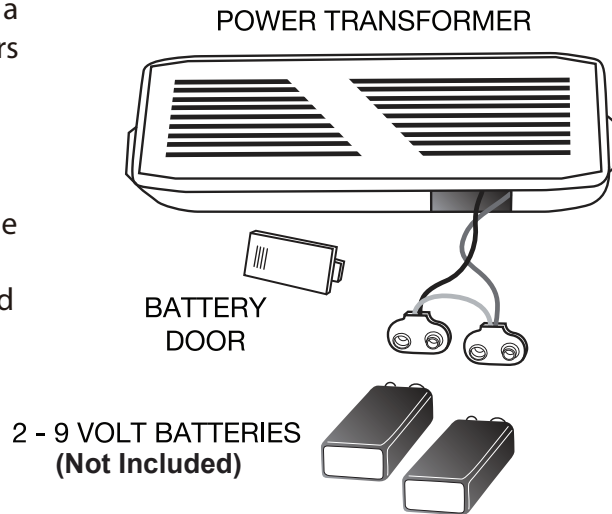


Product Protected By Following Patents:
Patented Articulating Power Headrest & Lumbar
US Patent: 10,736,423

INSTALLATION OF BACK-UP BATTERIES

2 - 9 Volt back-up batteries will lift the chair from the reclined position to the seating position **one cycle** in case of a power failure. If a power failure occurs and the chair is cycled, the 2 - 9 Volts batteries will need to be replaced.

1. Removed the sliding door on the side of the transformer to locate the 2 - 9 Volt batteries.
2. Pull out the 2 - 9 Volts batteries and replace with new batteries.
3. Replace door on the transformer.
4. **Batteries not included.**



TROUBLE SHOOTING

PROBLEM	POSSIBLE FACTORS	SOLUTIONS
Chair doesn't recliner or lift	Transformer may not be connected well	<ul style="list-style-type: none"> • Check the power supply has been correctly connected to transformer and socket • Confirm the wire from chair to transformer is firmly connected
Headrest or Lumbar doesn't work	Headrest or lumbar motor wires may not be connected well inside back flap of chair	<ul style="list-style-type: none"> • Check the headrest and lumbar motor wires have been correctly connected
Headrest and lumbar work oppositely	Headrest and lumbar motor plug have been cross connected	<ul style="list-style-type: none"> • Check the headrest and lumbar motor wires (labeled) have been correctly connected
The remote doesn't work	Remote may not be connected well	<ul style="list-style-type: none"> • Check the remote cord has been correctly connected to plug



Customer Service

If you have any questions regarding the use of this unit, or find that your unit needs service, please contact your retailer.

- **NOTE:** This device complies with part 15 of the FCC rules. Operation is subject to the following two conditions: (1) this device may not cause interference, and (2) this device must accept any interference, including interference that may cause undesired operation of the device. Modifications not approved by the party responsible for compliance could void user's authority to operate the equipment.