



Manufactured for Rooms To Go

ZMEG MANUAL RECL AND OTTO

SKU# 18566414

SKU# 18566426

SKU# 18566438



LIST OF PARTS

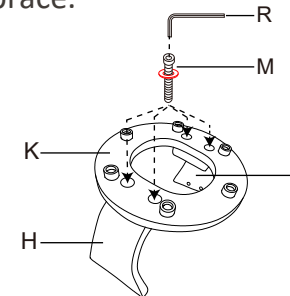
We suggest 2 people to assemble the product.

TOOLS REQUIRED:NO TOOLS REQUIRED

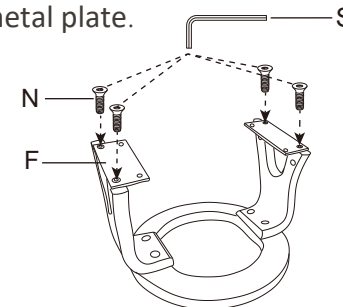
PART LIST

NO	Description	Item	Quantity	NO	Description	Item	Quantity	Size
A	Backrest		1	L	Sleeve		2	
B	Seat		1	M	Screw		4	M8*35*25
C	Left armrest		1	N	Screw		4	M8*45*45
D	Right armrest		1	O	Screw		8	M6*18*15
E	Knob		1	P	Screw		2	M8*70*25
F	Metal plate		2	Q	Screw		2	M8*25*15
G	Ottoman seat		1	R	Allen Key		1	M8
H	Left brace		1	S	Allen Key		1	M6
I	Right brace		1					
J	Sleeve		2					
K	Ottoman Base		1					

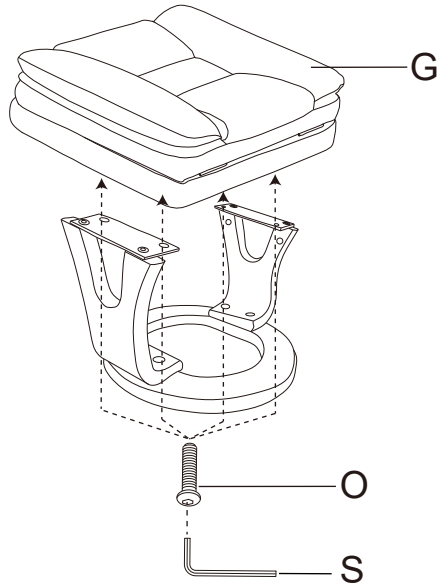
1. Fix the base to the brace.



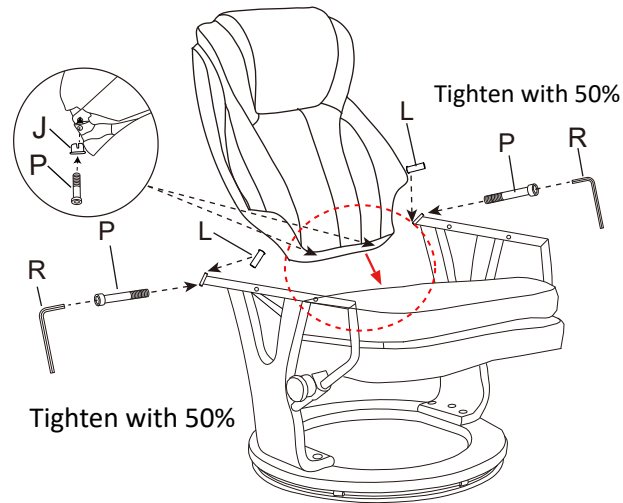
2. Assemble the metal plate.



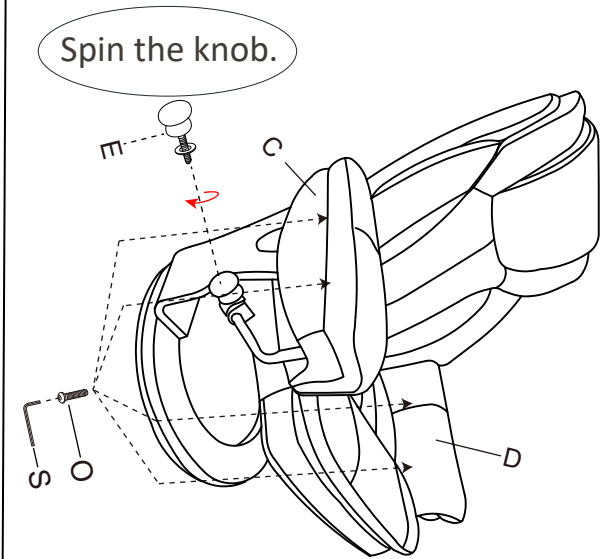
3. Assemble the Ottoman seat with base.



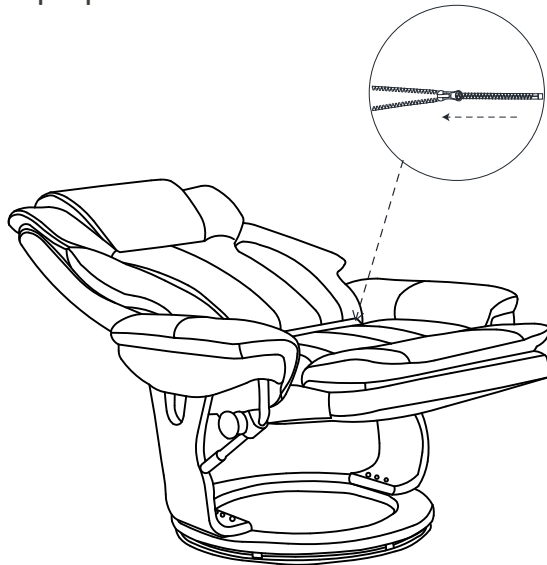
4. Assemble the backrest.



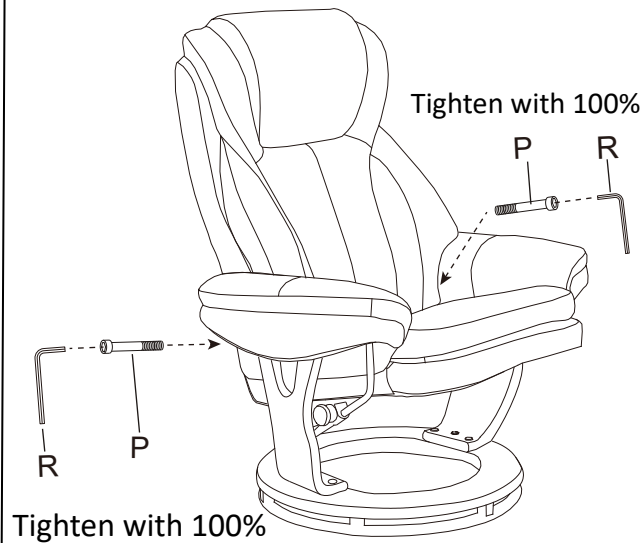
5. Put down the chair on floor and Assemble the armrests.



6. Zip up the backrest and seat.



7. Tighten the bolts with 100%.



8. The whole chair is assembled.

